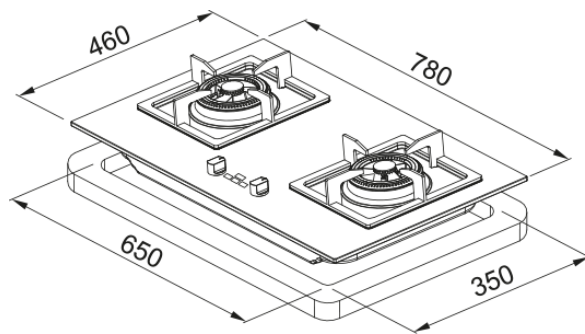
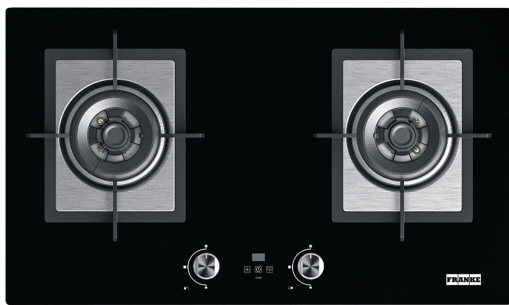


Gas hob JZT-FG7226 Black glass 2 burner | 106.0530.892



Gas hob JZT-FG7226 Black glass 2 burner NG

Product Information

Type	Gas
Technology	Gas on glass
Color	Black
Finish	Glass / SS
Power limitation	no

Dimensions

Commercial dimension	Special
Width overall	450.0
Cutout Depth	650.0
Cutout width	350.0
Packaging Depth	840.0
Packaging Width	520.0

Energy specifications

Total power (kW)	10.0
Voltage	220 V
Frequency (Hz)	50

Product specifications

Installation type hob	Standard
Number of burners	2
Color of knobs	stainless steel
Hob/hood connection	no

Product identification

Product brand	FRANKE
Product family	None
Model range	ONYX

Properties

Technical UI Type	Knobs
-------------------	-------

Number of knobs	2.0
Type of burner middle left	Double crown
Type of burner middle right	Double crown
User interface	Knobs
Timer	Yes