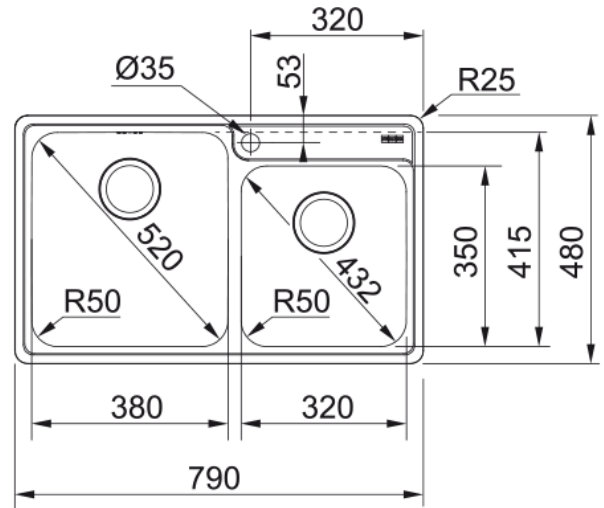


# BCX 620-38-32 3 1/2" WWK ND HOF TH FRL | 101.0454.753



BCX 620-38-32 790x480mm, stainless steel brushed, 3 1/2" waste hole, with waste kit, with hidden overflow and with 1 tap hole

## Product Information

|                  |                   |
|------------------|-------------------|
| Sink type        | Bowl (no drainer) |
| Type of material | Stainless steel   |
| Number of bowls  | 2                 |
| Color            | Steel             |
| Finish           | Brushed           |

## Dimensions

|                              |       |
|------------------------------|-------|
| External size: right to left | 790.0 |
| External size: front to back | 480.0 |
| Bowl 1 size: right to left   | 380.0 |
| Bowl 1 size: front to back   | 415.0 |
| Bowl 1: depth                | 203.5 |
| Bowl 2 size: right to left   | 320.0 |
| Bowl 2 size: front to back   | 350.0 |
| Bowl 2: depth                | 203.5 |
| Cutout inset: right to left  | 458.0 |
| Cutout inset: front to back  | 768.0 |

## Installation

|                      |       |
|----------------------|-------|
| Minimum cabinet size | 80 cm |
|----------------------|-------|

## Product specifications

|                     |            |
|---------------------|------------|
| Installation type   | Inset      |
| Waste outlet        | 3 1/2"     |
| Position of drainer | No drainer |

## Product identification

|                |        |
|----------------|--------|
| Product brand  | FRANKE |
| Product family | Smart  |
| Model range    | Bell   |
| Approval logo  | CE     |

## Properties

|                       |            |
|-----------------------|------------|
| Drainers number       | No drainer |
| Product reversibility | no         |
| Tap ledge             | Yes        |
| Waste kit included    | yes        |
| Waste kit type        | manual     |
| Siphon included       | yes        |
| Number of tap holes   | 1          |
| Soap dispenser hole   | no         |