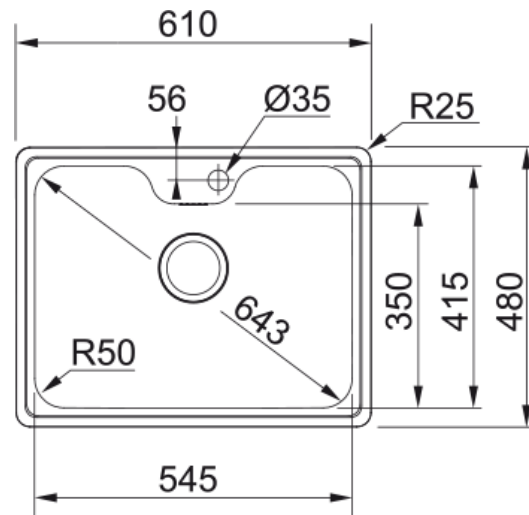


BCX 610-61 3 1/2" WWK ND HOF TH FRL | 101.0454.714



BCX 610-61 610x480mm, stainless steel brushed, 3 1/2" waste hole, with waste kit, with hidden overflow and with 1 tap hole

Product Information

Sink type	Bowl (no drainer)
Type of material	Stainless steel
Number of bowls	1
Color	Steel
Finish	Brushed

Dimensions

External size: right to left	610.0
External size: front to back	480.0
Bowl 1 size: right to left	545.0
Bowl 1 size: front to back	415.0
Bowl 1: depth	223.5
Cutout inset: right to left	458.0
Cutout inset: front to back	588.0

Installation

Minimum cabinet size	80 cm
----------------------	-------

Product specifications

Installation type	Inset
Waste outlet	3 1/2"
Position of drainer	No drainer

Product identification

Product brand	FRANKE
Product family	Smart
Model range	Bell
Approval logo	CE

Properties

Drainers number	No drainer
Product reversibility	no

Tap ledge	Yes
Waste kit included	yes
Waste kit type	manual
Siphon included	yes
Number of tap holes	1
Soap dispenser hole	no