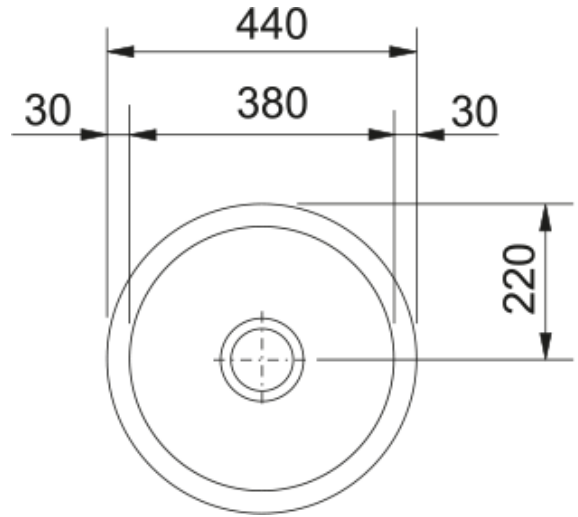


**Lugano LUX 610 | 101.0041.818**



304DDQ

	1	
		440.0
		440.0
1		380.0
1		380.0
1		190.0
		426.0
		426.0
		40 cm
		3 1/2"
		FRANKE
		Smart
		Lugano
LOGO		CE

.....

.....

.....

.....

.....

.....

.....

