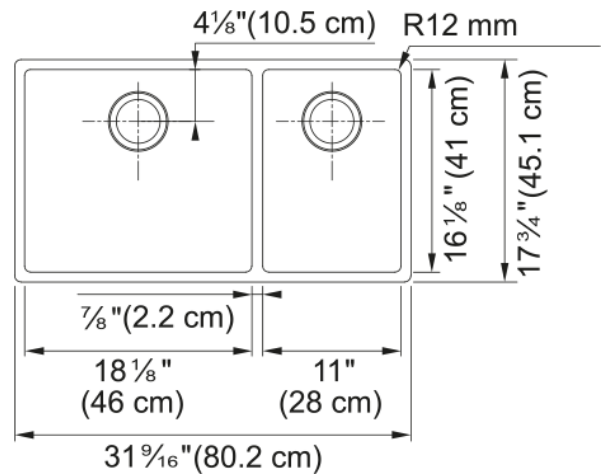


## Cube Undermount Sink - CUX160-CA | 122.0577.781



Elevate your kitchen experience with the Cube Series from Franke - a hand-crafted undermount sink collection that seamlessly marries Swiss precision with contemporary elegance. Our Cube sinks redefine sophistication with a smooth bowl design, providing a clean, modern aesthetic that effortlessly complements your kitchen decor. The easy-to-clean Pearl finish enhances the sink's visual appeal and simplifies maintenance, resisting stains and water spots for a lasting, pristine shine. Transform your kitchen into a haven of style and functionality with the Cube Series - where precision, design, and ease-of-use converge for an exceptional sink experience.

### Aspect

|                  |                 |
|------------------|-----------------|
| Sink type        | Sink            |
| Type of material | Stainless steel |
| Number of bowls  | 2               |
| Color            | Steel           |
| Surface finish   | Pearl           |

### Product Dimensions

|                                |        |
|--------------------------------|--------|
| Length (right to left)         | 31.496 |
| Width (front to back)          | 17.717 |
| Large bowl size: right to left | 18.11  |
| Large bowl size: front to back | 16.142 |
| Large bowl: depth              | 9.055  |
| Small bowl size: right to left | 11.024 |
| Small bowl size: front to back | 16.142 |
| Small bowl: depth              | 9.055  |

### Installation

|                      |     |
|----------------------|-----|
| Minimum cabinet size | 33" |
|----------------------|-----|

### Product specifications

|                     |            |
|---------------------|------------|
| Installation type   | Undermount |
| Drain hole          | 3 1/2"     |
| Position of drainer | No drainer |

### Product identification

|                |        |
|----------------|--------|
| Product brand  | FRANKE |
| Product family | Maris  |
| Collection     | Cube   |
| Certified by   | IAPMO  |

## Features

|                            |                |
|----------------------------|----------------|
| Drainers number            | No drainer     |
| Product reversibility      | No             |
| Faucet ledge               | No             |
| Strainer assembly included | Yes            |
| Strainer Assembly          | Manual         |
| Overflow                   | No             |
| Number of faucet holes     | No faucet hole |
| Soap dispenser hole        | No             |