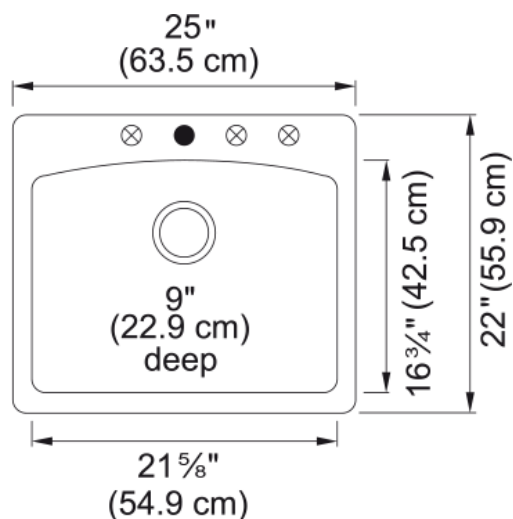


Ellipse Dual Mount Sink - ESSL25229-1-CA | 114.0713.071



25.0-in. x 22.0-in. Slate Grey Granite Single Bowl Kitchen Sink. Franke Ellipse is an easy-to-maintain kitchen sink that will enhance the simple joys of cooking. Made with 80% quartz, the most durable component of granite; and bonded with 20% acrylic resin, and available in a variety of size and configuration options provides your kitchen with a long-lasting focal point through its classic style and enduring color options. Sink strainer assembly included.

Aspect

Sink type	Sink
Type of material	Fragranite
Number of bowls	1
Product color	Slate grey
Surface finish	None

Product Dimensions

Length (right to left)	25
Width (front to back)	22.008
Large bowl size: right to left	21.85
Large bowl size: front to back	16.89
Large bowl: depth	9.016

Installation

Minimum cabinet size	24"
----------------------	-----

Product specifications

Installation type	Topmount / drop in
Drain hole	3 1/2"
Position of drainer	No drainer
Bowl 1: accessory ledge	no

Product identification

Brand	NEUTRAL
Collection	Ellipse
Certified by	IAPMO

Features

Drainers number	No drainer
Product reversibility	No
Faucet ledge	Yes

Strainer assembly included	Yes
Strainer Assembly	Manual
Overflow	No
Number of faucet holes	4 - pre-scored
Soap dispenser hole	No