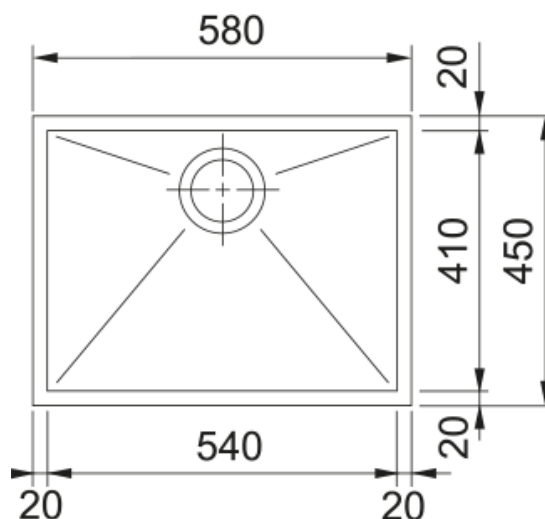


PPX210-54 Planar Laundry Tub | 127.0729.238



COMMERCIAL RANGE (NOT AVAILABLE THROUGH RETAIL) - Constructed from 18/10 grade stainless steel, it's made to withstand the everyday wear and tear of life in a busy laundry.

Aspect

Sink type	Bowl (no drainer)
Material type	Stainless steel
Number of bowls	1
Colour	Steel
Finish	Prebrushed N4

Dimensions

Overall length	580.0
Overall depth	450.0
Length	540.0
Depth	410.0
Height	250.0

Installation

Cabinet size	60 cm
--------------	-------

Product features

Installation type	Flushmount
Installation type	Topmount
Waste outlet	3 1/2"
Position of drainer	No drainer
Active Twist Compatibility	No
Installationvice	Clamp Bag

Product identification

Brand	FRANKE
Product family	None
Family	Planar

Properties

Drainer	No drainer
Reversible	No

Tap ledge	No
Waste kit	Yes
Waste kit type	Manual
Plumbing kit	No
Tap holes	No tap hole
Soap dispenser hole	No