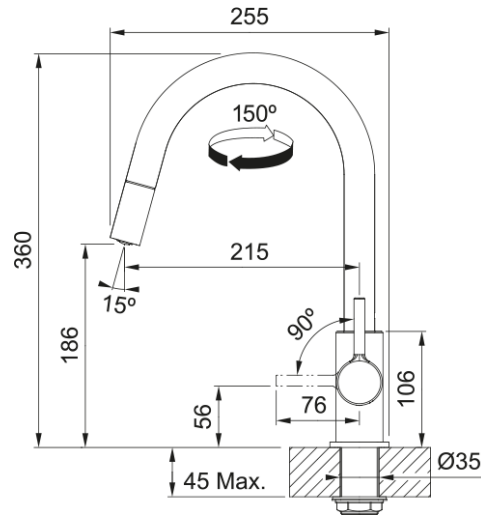


TA9911 Lina Pull-Out Décor Steel Tap | 115.0732.087



COMMERCIAL RANGE (NOT AVAILABLE THROUGH RETAIL) - The Lina Pull-Out Tap in Décor Steel combines modern style with practical function. Its pull-out spray head offers flexibility for rinsing and cleaning, while the sleek steel finish adds understated elegance to your kitchen. A perfect balance of convenience and design for everyday use.

Aspect

Spout type	J - spout
Colour	Decor steel
Material type	Brass
Pull-out hose material	Nylon black
Pull-out head material	Plastic

Dimensions

Height overall	360.0
Tap hole diameter	35 mm
Cartridge	35 mm

Installation

Fixation type	Shank
Water hose connection	1/2"
Water supply hose length	450 mm

Product features

Pressure	High pressure
Spout type	Pull out nozzle
Tap operation	Side lever
Tap rotation	150°

Product identification

Brand	FRANKE
Product family	Smart
Family	Lina

Properties

Eco water saving	No
Type of aerator	Honeycomb