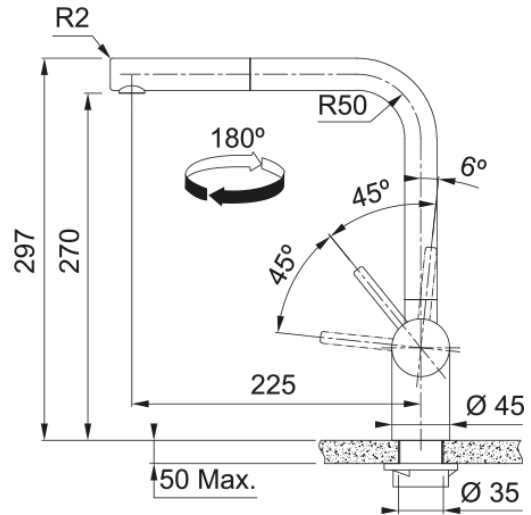


TA9701BS Atlas Neo BS Pull-Out Tap | 115.0616.121



Atlas Neo Black Steel Pull-Out Tap.

Aspect

Spout type	L - spout
Colour	Industrial black
Material type	Stainless steel 304
Pull-out hose material	Textile
Pull-out head material	Stainless steel

Dimensions

Tap hole diameter	35 mm
Cartridge	35 mm

Installation

Fixation type	Shank
Water hose connection	3/8"
Water supply hose length	600 mm

Product features

Pressure	High pressure
Spout type	Pull out
Tap operation	Side lever
Tap rotation	180°

Product identification

Brand	FRANKE
Product family	Maris
Family	Atlas Neo

Properties

Eco water saving	No
Type of aerator	Laminar