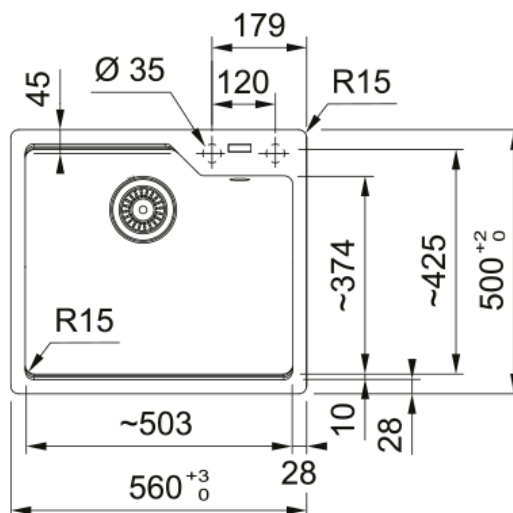


UBG610-560N Urban Onyx Single Bowl Sink | 114.0644.767



Constructed from 80% quartz sand and 20% very hard acrylic resin, a Franke Fraganite sink will make a statement in any kitchen with its subtle shine. Ideal for the active family, this material repels bacteria with a patented Sanitized coating, and it resists temperatures of up to 280° Celsius.

Aspect

Sink type	Bowl (no drainer)
Material type	Granite
Number of bowls	1
Colour	Onyx
Finish	None

Dimensions

Overall length	560.0
Overall depth	500.0
Length	503.0
Depth	425.0
Height	230.0
Cutout inset: right to left	524.0
Cutout inset: front to back	464.0

Installation

Cabinet size	60 cm
--------------	-------

Product features

Installation type	Topmount
Waste outlet	3 1/2"
Position of drainer	No drainer

Product identification

Brand	FRANKE
Product family	Maris
Range	Urban
Approval logo	CE

Properties

Drainer	No drainer
Reversible	No

Tap ledge	Yes
Waste kit	Yes
Waste kit type	Manual
Plumbing kit	No
Tap holes	2 - pre drilled
Soap dispenser hole	No