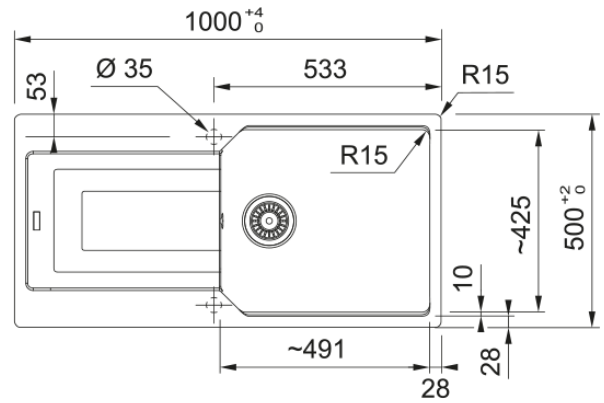
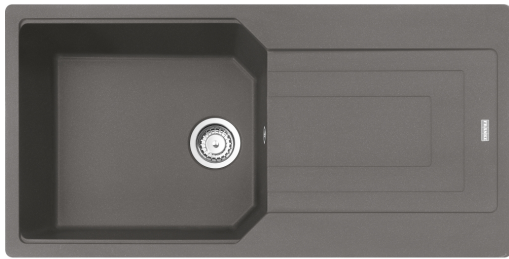


# URBAN S/G Insert UBG611-100SG | 114.0644.596



Constructed from 80% quartz sand and 20% very hard acrylic resin, a Franke Fraganite sink will make a statement in any kitchen with its subtle shine. Ideal for the active family, this material repels bacteria with a patented Sanitized coating, and it resists temperatures of up to 280° Celsius.

## Aspect

Sink type	Sink (w/ drainer)
Material type	Granite
Number of bowls	1
Colour	Stone grey
Finish	None

## Dimensions

Overall length	1000.0
Overall depth	500.0
Length	490.0
Depth	425.0
Height	220.0
Cutout inset: right to left	964.0
Cutout inset: front to back	464.0

## Installation

Cabinet size	60 cm
--------------	-------

## Product features

Installation type	Topmount
Waste outlet	3 1/2"
Position of drainer	Reversible drainer

## Product identification

Brand	FRANKE
Product family	Maris
Range	Urban
Approval logo	CE

## Properties

Drainer	1
Reversible	Yes

Tap ledge	No
Waste kit	Yes
Waste kit type	Manual
Plumbing kit	No
Tap holes	2 - pre drilled
Soap dispenser hole	No