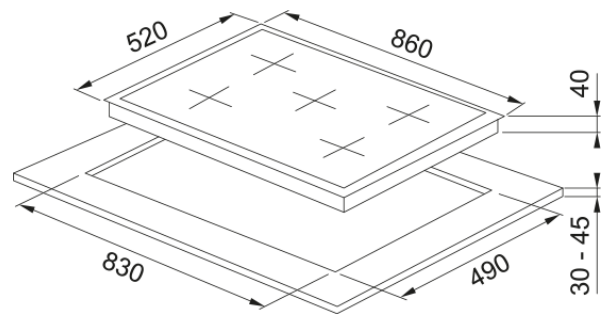


# FCG905B1 90cm Black Glass Gas Cooktop | 106.0594.812



COMMERCIAL RANGE (NOT AVAILABLE THROUGH RETAIL) - A black glass finish and stunning cast iron trivets give this gas cooktop the modern classic aesthetic to make any kitchen feel like home, with a host of innovative features to optimise functionality.

## Aspect

Type	Gas
Technology	Gas on glass
Colour	Black
Finish	Glass
Type of pan support	Multi burners
Power limitation	No

## Dimensions

Overall dimensions	90
Cutout depth	830.0
Cutout width	490.0
Packaging depth	170.0
Packaging width	595.0

## Energy specifications

Total Power (kW)	11.3
Voltage	220-240 V
Frequency (Hz)	50-60

## Product features

Installation type	Standard
Number of burners	5
Safety lock	Yes
Power of burner front left (W)	1000
Power of burner front right(W)	1750
Power of burner middle middle	3800
Power of burner rear left (W)	1750
Power of burner rear right (W)	3000
Color of knobs	Black Shiny
Hob/hood connection	No

Material of pan support	Cast iron
<b>Product identification</b>	
Brand	FRANKE
Product family	None
Family	None
<b>Properties</b>	
Technical UI Type	Knobs
Number of knobs	5.0
Number of pan support	3
Burner front left	Auxiliary
Burner rear left	Semi rapid
Burner rear right	Rapid
Burner front right	Semi rapid
Burner middle middle	Triple crown
Controls	Knobs
Timer	No