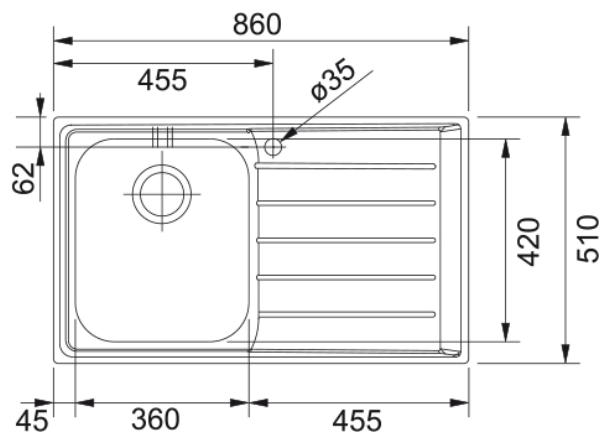


NEX611RHD Neptune Single Bowl Sink | 101.0059.633



Boasting a single bowl and drainer, this sink is designed for the space-conscious. The drainer is not only a space for drying dishware; use it to balance items for defrosting, or to carry out prep tasks. Available in both left hand and right hand drainer configuration.

Aspect

Sink type	Sink (w/ drainer)
Material type	Stainless steel
Number of bowls	1
Colour	Steel
Finish	Brushed

Dimensions

Overall length	860.0
Overall depth	510.0
Length	360.0
Depth	420.0
Height	190.0
Cutout inset: right to left	840.0
Cutout inset: front to back	490.0

Installation

Cabinet size	45 cm
--------------	-------

Product features

Installation type	Topmount
Waste outlet	3 1/2"
Position of drainer	Right hand side drainer
Active Twist Compatibility	Yes

Product identification

Brand	FRANKE
Product family	Maris
Family	Neptune

Properties

Drainer	1
Reversible	No

Tap ledge	Yes
Waste kit	Yes
Waste kit type	Manual
Plumbing kit	No
Tap holes	1
Soap dispenser hole	No