



ZIP PRODUCT GUIDE

The latest from the world leader in instantly filtered water







INDEX

| | |
|--------------------------------------|--------------|
| HydroTap® G5 Range | 4-13 |
| HydroTap® G5 BCS | 14-21 |
| HydroTap® G5 BC | 22-29 |
| Commercial Hydrotaps | 30-38 |
| Hydrotap Accessories | 39 |
| How to build your Hydrotap | 40 |
| Hydrotap Installation | 42-47 |
| Filtration | 48-49 |
| HydroBoil Plus | 50-53 |
| HydroBoil | 54-56 |
| HydroBoil Installation | 57 |
| ChillTap | 58 |
| Chillmaster & Economaster | 60-61 |
| Important Safety Notice | 63 |

INTRODUCING THE NEW HYDROTAP® G5 RANGE

INSTANTLY FILTERED,
BOILING, CHILLED & SPARKLING
WATER ON TAP



POWERED BY

G5

TECHNOLOGY

PowerPulse technology



Our innovative Zip PowerPulse technology maintains stored boiling water to within 0.2°C of your set temperature, meaning no energy or time is wasted waiting for water to boil.

Unique safety features



Zip boiling water is delivered smoothly and the tap has a safety lock to facilitate safe boiling water delivery.

Air-cooled system



Our unique air-cooled refrigeration system is 100% water efficient.

Auto-diagnostics



An advanced auto-diagnostics system continuously monitors your HydroTap's performance.

MicroPurity™ filtration

0.2
MICRON

Inbuilt 0.2 micron NSF-certified filter incorporating innovative silver ion antimicrobial technology means healthier, pure-tasting water.



2
Year
Warranty

Terms and conditions apply

Powered by our latest G5 technology

Embodying functionality, the HydroTap is ideal for those who want appliances that save time, reduce energy, are straightforward to use, simple to maintain and make life in the kitchen a whole lot easier.

Access pure-tasting water thanks to our advanced MicroPurity filtration. Say goodbye to bottled water taking up valuable fridge space and slow, energy-guzzling kettles cluttering your countertops. Welcome the convenience of cooking, sterilising bottles and making tea or coffee with instant boiling water and the handiness of pouring a perfectly chilled still or sparkling glass of water whenever you need it.

Crystal clear pure-tasting water



MICROPURITY™ FILTRATION

SAFELY FILTERS DOWN TO 0.2 MICRON

NEW G5
FEATURES

SteriTouch® antimicrobial protection



SteriTouch® is impregnated inside materials in contact with key water paths in HydroTap; Touch Pad, Tubes and Manifold for added protection against bacteria.

CO₂ level indicator



New feature in the command centre shows when CO₂ gas is running low.

Smart Customisation



New optimised menu in the G5 HydroTap command centre allows you to select energy modes and usage settings for easier customisation.



THE SAFEST INSTANT BOILING WATER

Boiling water safety lock

Unique boiling water dispensing safety features requires a dual action reducing the likelihood of accidentally activating the boiling water which means little ones are safer.

Cool touch tap

The HydroTap is cool to the touch and doesn't produce any spluttering steam, which means it's always safe to use.

SMARTER, MORE INTUITIVE USER INTERFACE, RE-DESIGNED WITH USER EXPERIENCE IN MIND

The new interactive interface makes it so simple to customise your Hydrotap settings.

- Intuitive home screen with easy access to set temperatures for boiling and chilled water, filter and CO₂ life, and energy saving modes and settings
- Quiet mode adjusts the fan speed used as part of the chilling process. Intelligent fan speed automatically adjusts the fan speed between 100, 75 and 50% which can make the Hydrotap G5 quieter during low use.
- Energy saving settings give you the opportunity to set ON and OFF timers letting you set the times your Hydrotap can be used weekly or daily.
- Sleep modes reduce the Hydrotaps power consumption if the tap has not been used for 2 hours. 'Sleep when it's dark function' puts your Hydrotap to sleep when the lights have been turned off.





Featured product
HydroTap Cube in
Brushed Rose-Gold finish

Experience water at its best. Introducing new HydroTap G5 technology.

Able to complement any kitchen – from traditional to contemporary – Zip’s design-led Classic Plus, Touch-Free Wave, Arc and Cube have been created with the interiors enthusiast in mind.



Zip Hydrotap
G5 RANGE



Classic Plus



Touch-Free Wave



Arc



Cube

HYDROTAP

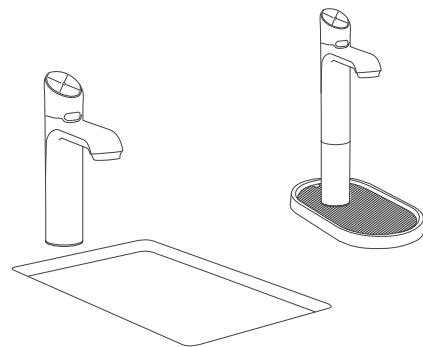
Classic Plus



Available water options & finishes:

| | | | |
|---|--|--|--|
| FILTERED: BOILING CHILLED SPARKLING | FILTERED: BOILING CHILLED | FILTERED: CHILLED SPARKLING | FILTERED: BOILING AMBIENT |
| 🔥❄️💧 | 🔥❄️ | ❄️💧 | 🔥💧 |

Available in



HydroTap Classic Plus can be installed over sink or optional font.

HYDROTAP

Touch-Free Wave



New Zip HydroTap Touch-Free Wave provides a 100% touch-free solution to instantly dispense pure tasting drinking water with a simple wave of a hand.

Featured product
HydroTap Touch-Free Wave
with optional font
in Chrome finish

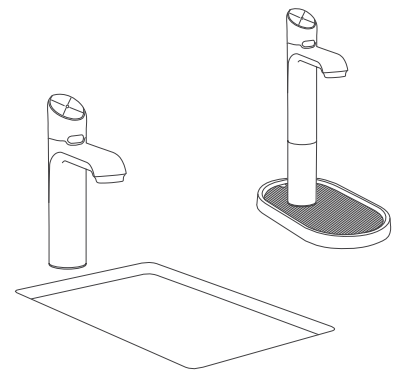
Available water options & finishes:

| | | |
|--|---------------------------------|---------------------------------|
| FILTERED: BOILING CHILLED SPARKLING | FILTERED: BOILING CHILLED | FILTERED: BOILING AMBIENT |
| 🔥❄️💧 | 🔥❄️ | 🔥💧 |

Available in



CHROME



HydroTap Touch-Free Wave can be installed over sink or optional font.

HYDROTAP

Arc



Featured product
HydroTap Arc installed with optional font
in Chrome finish

Available water options & finishes:

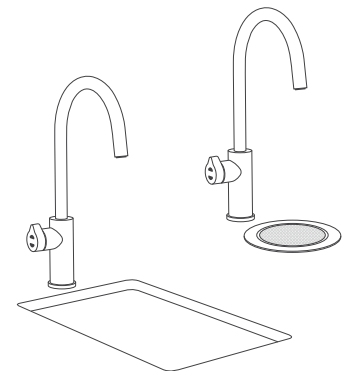
| | |
|--|---------------------------------|
| FILTERED: BOILING CHILLED SPARKLING | FILTERED: BOILING CHILLED |
| | |



CHROME MATTE BLACK BRUSHED ROSE GOLD BRUSHED GOLD GUNMETAL



MATCHING FONT KIT ASSEMBLY SOLD SEPARATELY (OPTIONAL EXTRA)



HydroTap Arc can be installed over sink or optional font.

HYDROTAP

Cube



Featured product
HydroTap Cube installed with
optional font
in Brushed Gold finish

Available water options & finishes:

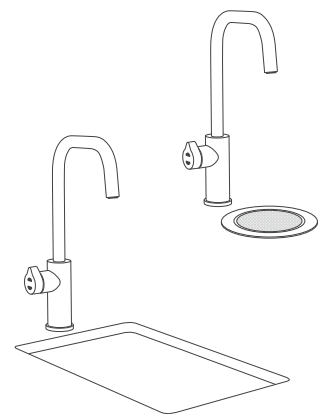
| | |
|---|--|
| FILTERED: BOILING CHILLED SPARKLING | FILTERED: BOILING CHILLED |
| | |



CHROME MATTE BLACK BRUSHED ROSE GOLD BRUSHED GOLD GUNMETAL



MATCHING FONT KIT ASSEMBLY SOLD SEPARATELY (OPTIONAL EXTRA)



HydroTap Cube can be installed over sink or optional font.



ZIP HYDROTAP®

Boiling, Chilled, & Sparkling

INSTANTLY FILTERED
WATER ON TAP!



*CO₂ Cylinder, Tap Extension and Font Kit Assembly Sold Separately

*Tap Extension only available for Classic Plus and Touch-Free Wave Hydrotaps

HYDROTAP® G5 BCS

INSTANTLY FILTERED, BOILING, CHILLED & SPARKLING WATER ON TAP



G5 HYDROTAP BCS CLASSIC PLUS - CHROME



| PRODUCT CODE | DESCRIPTION |
|--------------|---|
| 2990057 | G5 BCS Home M Command Centre - Residential (H50083000ZA) + Classic Plus BCS G5 Chrome *CO ₂ Cylinder, Tap Extension and Font Kit Assembly Sold Separately Includes: |
| 2610321 | G5 BCS Home M Command Centre - Residential (H50083000ZA) |
| 2610326 | HydroTap Classic Plus G5 BCS Tap Chrome (91622) |

Finish
Chrome

Type
Classic Plus
Boiling, Chilled & Sparkling

Size
Residential

Command Centre Dimensions
333 H x 339 W x 460 D



G5 HYDROTAP BCS ARC - CHROME



| PRODUCT CODE | DESCRIPTION |
|--------------|---|
| 2990058 | G5 BCS Home M Command Centre - Residential (H50083000ZA) + Arc BCS G5 Chrome *CO ₂ Cylinder and Font Kit Assembly Sold Separately Includes: |
| 2610321 | G5 BCS Home M Command Centre - Residential (H50083000ZA) |
| 2610333 | HydroTap Arc BCS G5 Tap Chrome (93445) |

Finish
Chrome

Type
Arc
Boiling, Chilled, & Sparkling

Size
Residential

Command Centre Dimensions
333 H x 339 W x 460 D



G5 HYDROTAP BCS CUBE - CHROME



| PRODUCT CODE | DESCRIPTION |
|--------------|--|
| 2990059 | G5 BCS Home M Command Centre - Residential (H50083000ZA) + Cube BCS G5 Chrome *CO ₂ Cylinder and Font Kit Assembly Sold Separately Includes: |
| 2610321 | G5 BCS Home M Command Centre - Residential (H50083000ZA) |
| 2610343 | HydroTap Cube G5 BCS Tap Chrome (93446) |

Finish
Chrome

Type
Cube
Boiling, Chilled, & Sparkling

Size
Residential

Command Centre Dimensions
333 H x 339 W x 460 D



2330332

ZIP CO₂ Gas Cartridge
(2 Per Pack)



HYDROTAP® G5 BCS

INSTANTLY FILTERED, BOILING, CHILLED & SPARKLING WATER ON TAP



G5 HYDROTAP BCS MATT BLACK



| PRODUCT CODE | DESCRIPTION |
|--------------|---|
| 2990060 | G5 BCS Home M Command Centre - Residential (H50083000ZA) + Classic Plus G5 Matt Black *CO ₂ Cylinder, Tap Extension and Font Kit Assembly Sold Separately Includes: |
| 2610321 | G5 BCS Home M Command Centre - Residential (H50083000ZA) |
| 2610327 | HydroTap Classic Plus G5 BCS Tap Matt Black (91622) |

Finish
Matt Black

Type
Classic Plus
Boiling, Chilled, & Sparkling

Size
Residential

Command Centre Dimensions
333 H x 339 W x 460 D



G5 HYDROTAP BCS ARC - MATT BLACK



| PRODUCT CODE | DESCRIPTION |
|--------------|---|
| 2990061 | G5 BCS Home M Command Centre - Residential (H50083000ZA) + Arc BCS G5 Matt Black *CO ₂ Cylinder and Font Kit Assembly Sold Separately Includes: |
| 2610321 | G5 BCS Home M Command Centre - Residential (H50083000ZA) |
| 2610334 | HydroTap Arc BCS G5 TAP MATT BLACK (93451) |

Finish
Matt Black

Type
Arc
Boiling, Chilled, & Sparkling

Size
Residential

Command Centre Dimensions
333 H x 339 W x 460 D



G5 HYDROTAP BCS CUBE - MATT BLACK



| PRODUCT CODE | DESCRIPTION |
|--------------|--|
| 2990062 | G5 BCS Home M Command Centre - Residential (H50083000ZA) + Cube BCS G5 Matt Black *CO ₂ Cylinder and Font Kit Assembly Sold Separately Includes: |
| 2610321 | G5 BCS Home M Command Centre - Residential (H50083000ZA) |
| 2610344 | HydroTap Cube G5 BCS Tap Matt Black (93452) |

Finish
Matt Black

Type
Cube
Boiling, Chilled, & Sparkling

Size
Residential

Command Centre Dimensions
333 H x 339 W x 460 D



2330332

ZIP CO₂ Gas Cartridge
(2 Per Pack)



HYDROTAP® G5 BCS

INSTANTLY FILTERED, BOILING, CHILLED & SPARKLING WATER ON TAP



G5 HYDROTAP BCS ARC - BRUSHED ROSE-GOLD



| PRODUCT CODE | DESCRIPTION |
|--------------|--|
| 2990063 | G5 BCS Home M Command Centre - Residential (H50083000ZA) + Arc BCS G5 Brushed Rose Gold *CO ₂ Cylinder and Font Kit Assembly Sold Separately Includes: |
| 2610321 | G5 BCS Home M Command Centre - Residential (H50083000ZA) |
| 2610335 | HydroTap Arc BCS G5 Tap Brushed Rose Gold (94082) |

Finish

Brushed Rose-Gold

Type

Arc
Boiling, Chilled, & Sparkling 

Size

Residential

Command Centre Dimensions

333 H x 339 W x 460 D



G5 HYDROTAP BCS CUBE - BRUSHED ROSE-GOLD



| PRODUCT CODE | DESCRIPTION |
|--------------|---|
| 2990064 | G5 BCS Home M Command Centre - Residential (H50083000ZA) + Cube BCS G5 Brushed Rose Gold *CO ₂ Cylinder and Font Kit Assembly Sold Separately Includes: |
| 2610321 | G5 BCS Home M Command Centre - Residential (H50083000ZA) |
| 2610351 | HydroTap Cube G5 BCS Tap Brushed Rose Gold (94083) |

Finish

Brushed Rose-Gold

Type

Cube
Boiling, Chilled, & Sparkling 

Size

Residential

Command Centre Dimensions

333 H x 339 W x 460 D



2330332

ZIP CO₂ Gas Cartridge
(2 Per Pack)





HYDROTAP® G5 BCS

INSTANTLY FILTERED, BOILING, CHILLED & SPARKLING WATER ON TAP



G5 HYDROTAP BCS ARC - BRUSHED GOLD



| PRODUCT CODE | DESCRIPTION |
|--------------|---|
| 2990065 | G5 BCS Home M Command Centre - Residential (H50083000ZA) + Arc BCS G5 Brushed Gold *CO ₂ Cylinder and Font Kit Assembly Sold Separately Includes: |
| 2610321 | G5 BCS Home M Command Centre - Residential (H50083000ZA) |
| 2610336 | HydroTap Arc BCS G5 Tap Brushed Gold (94106) |

Finish
Brushed Gold

Type
Arc
Boiling, Chilled, & Sparkling

Size
Residential

Command Centre Dimensions
333 H x 339 W x 460 D



G5 HYDROTAP BCS CUBE - BRUSHED GOLD



| PRODUCT CODE | DESCRIPTION |
|--------------|--|
| 2990066 | G5 BCS Home M Command Centre - Residential (H50083000ZA) + Cube BCS G5 Brushed Gold *CO ₂ Cylinder and Font Kit Assembly Sold Separately Includes: |
| 2610321 | G5 BCS Home M Command Centre - Residential (H50083000ZA) |
| 2610353 | HydroTap Cube G5 BCS Tap Brushed Gold (94107) |

Finish
Brushed Gold

Type
Cube
Boiling, Chilled, & Sparkling

Size
Residential

Command Centre Dimensions
333 H x 339 W x 460 D



2330332

ZIP CO₂ Gas Cartridge
(2 Per Pack)



HYDROTAP® G5 BCS

INSTANTLY FILTERED, BOILING, CHILLED & SPARKLING WATER ON TAP



G5 HYDROTAP BCS ARC- GUNMETAL



| PRODUCT CODE | DESCRIPTION |
|--------------|---|
| 2990067 | G5 BCS Home M Command Centre - Residential (H50083000ZA) + Arc BCS G5 Gunmetal *CO ₂ Cylinder and Font Kit Assembly Sold Separately Includes: |
| 2610321 | G5 BCS Home M Command Centre - Residential (H50083000ZA) |
| 2610337 | HydroTap Arc BCS G5 Tap Gunmetal (94130) |

Finish
Gunmetal

Type
Arc
Boiling, Chilled, & Sparkling

Size
Residential

Command Centre Dimensions
333 H x 339 W x 460 D



G5 HYDROTAP BCS CUBE - GUNMETAL



| PRODUCT CODE | DESCRIPTION |
|--------------|--|
| 2990068 | G5 BCS Home M Command Centre - Residential (H50083000ZA) + Cube BCS G5 Gunmetal *CO ₂ Cylinder and Font Kit Assembly Sold Separately Includes: |
| 2610321 | G5 BCS Home M Command Centre - Residential (H50083000ZA) |
| 2610350 | HydroTap Cube G5 BCS Tap Gunmetal (94131) |

Finish
Gunmetal

Type
Cube
Boiling, Chilled, & Sparkling

Size
Residential

Command Centre Dimensions
333 H x 339 W x 460 D



CO₂ GAS CARTRIDGE

2330332

ZIP CO₂ Gas Cartridge
(2 Per Pack)



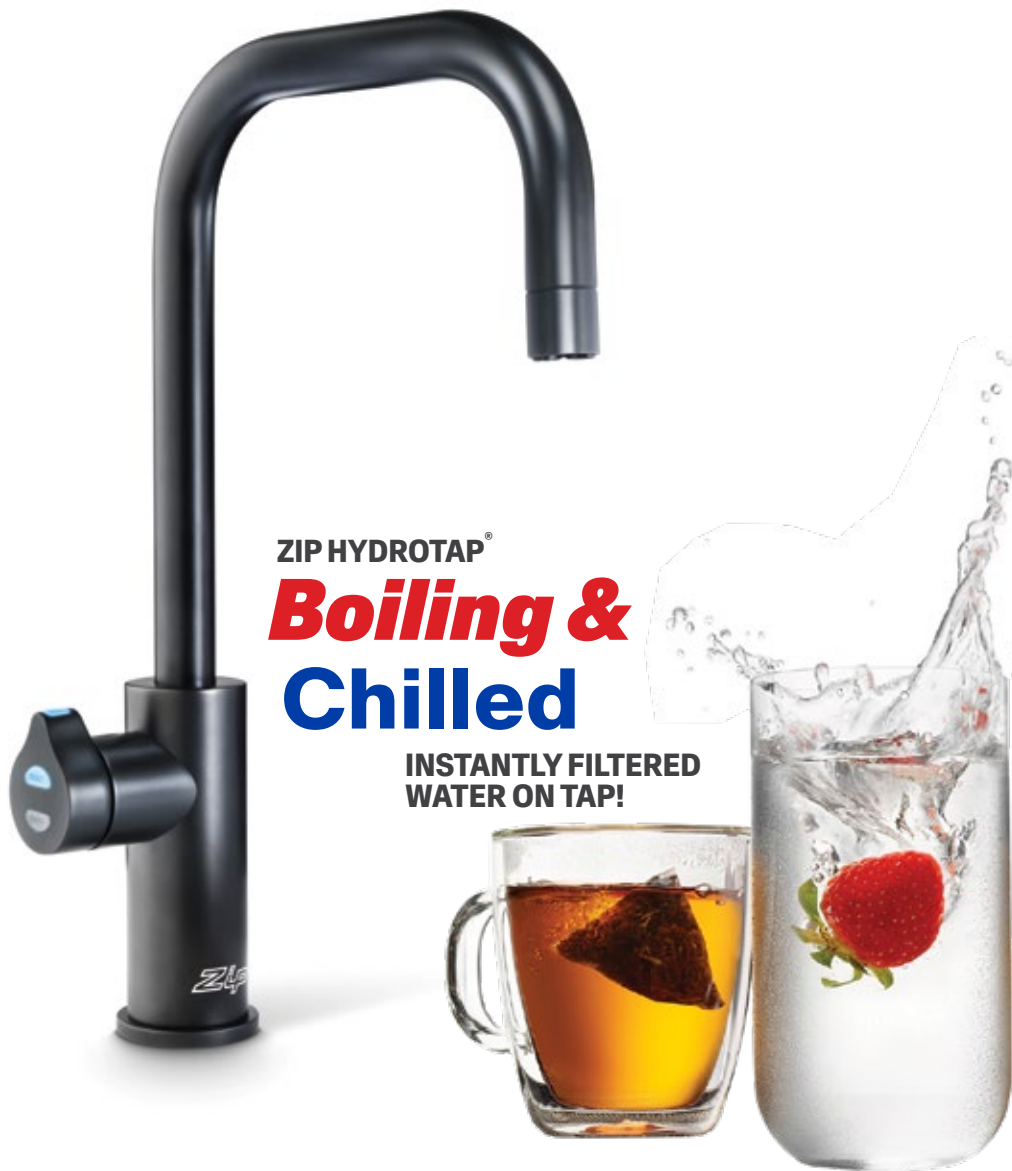
CO₂ Gas Cylinder gives approximately 150 to 160 liters of sparkling water, equivalent to 750 glasses of sparkling water.

Filter cartridges should be replaced after 6,435 litres or every 12 months, or earlier if a high level of water usage makes it necessary. You can replace filter cartridges yourself, or ask for a trained Zip Service Provider to replace them at set intervals.

Carbon Dioxide

The CO₂ gas cylinder must be secured in a suitable location using the strap provided. The gas regulator (supplied) must be fitted. Each cylinder contains 1 kg of CO₂ and should be installed in a well ventilated area or a room of not less than 38 cubic metres.

Please note that commercial units are not supplied with a CO₂ regulator
- this is supplied separately



ZIP HYDROTAP®
Boiling &
Chilled

**INSTANTLY FILTERED
WATER ON TAP!**

2
Year
Warranty



*Tap Extension and Font Kit Assembly Sold Separately

*Tap Extension only available for Classic Plus and Touch-Free Wave Hydrotaps

HYDROTAP® G5 BC

INSTANTLY FILTERED, BOILING & CHILLED WATER ON TAP



G5 HYDROTAP BC CLASSIC PLUS - CHROME



| PRODUCT CODE | DESCRIPTION |
|--------------|---|
| 2990069 | G5 BC Home M Command Centre - Residential (H50083000ZA) + Classic Plus BC G5 Chrome *Tap Extension and Font Kit Assembly Sold Separately Includes: |
| 2610322 | G5 BC Home M Command Centre - Residential (H50084000ZA) |
| 2610356 | HydroTap Classic Plus G5 BC Tap Chrome (91621) |

Finish
Chrome

Type
Classic Plus
Boiling & Chilled

Size
Residential

Command Centre Dimensions
333 H x 280 W x 455 D



G5 HYDROTAP BC ARC - CHROME



| PRODUCT CODE | DESCRIPTION |
|--------------|---|
| 2990070 | G5 BC Home M Command Centre - Residential (H50083000ZA) + Arc BC G5 Chrome * Font Kit Assembly Sold Separately Includes: |
| 2610322 | G5 BC Home M Command Centre - Residential (H50084000ZA) |
| 2610338 | HydroTap Arc BC G5 Tap Chrome (93526) |

Finish
Chrome

Type
Arc
Boiling & Chilled

Size
Residential

Command Centre Dimensions
333 H x 280 W x 455 D



G5 HYDROTAP BC CUBE - CHROME



| PRODUCT CODE | DESCRIPTION |
|--------------|---|
| 2990071 | G5 BC Home M Command Centre - Residential (H50083000ZA) + Cube BC G5 Chrome *Font Kit Assembly Sold Separately Includes: |
| 2610322 | G5 BC Home M Command Centre - Residential (H50084000ZA) |
| 2610349 | HydroTap Cube G5 BC Tap Chrome (93527) |

Finish
Chrome

Type
Cube
Boiling & Chilled

Size
Residential

Command Centre Dimensions
333 H x 280 W x 455 D





HYDROTAP® G5 BC

INSTANTLY FILTERED, BOILING & CHILLED WATER ON TAP



G5 HYDROTAP BC CLASSIC PLUS - MATT BLACK



| PRODUCT CODE | DESCRIPTION |
|--------------|---|
| 2990072 | G5 BC Home M Command Centre - Residential (H50083000ZA) + Classic Plus BC G5 Matt Black *Tap Extension and Font Kit Assembly Sold Separately Includes: |
| 2610322 | G5 BC Home M Command Centre - Residential (H50084000ZA) |
| 2610328 | HydroTap Classic Plus G5 BC Tap Matt Black (91621) |

Finish
Matt Black

Type
Classic Plus
Boiling & Chilled

Size
Residential

Command Centre Dimensions
333 H x 280 W x 455 D



G5 HYDROTAP BC ARC - MATT BLACK



| PRODUCT CODE | DESCRIPTION |
|--------------|--|
| 2990073 | G5 BC Home M Command Centre - Residential (H50083000ZA) + Arc BC G5 Matt Black *Font Kit Assembly Sold Separately Includes: |
| 2610322 | G5 BC Home M Command Centre - Residential (H50084000ZA) |
| 2610339 | HydroTap Arc BC G5 Tap Matt Black (93532) |

Finish
Matt Black

Type
Arc
Boiling & Chilled

Size
Residential

Command Centre Dimensions
333 H x 280 W x 455 D



G5 HYDROTAP BC CUBE - MATT BLACK



| PRODUCT CODE | DESCRIPTION |
|--------------|---|
| 2990074 | G5 BC Home M Command Centre - Residential (H50083000ZA) + Cube BC G5 Matt Black *Font Kit Assembly Sold Separately Includes: |
| 2610322 | G5 BC Home M Command Centre - Residential (H50084000ZA) |
| 2610346 | HydroTap Cube G5 BC Tap Matt Black (93533) |

Finish
Matt Black

Type
Cube
Boiling & Chilled

Size
Residential

Command Centre Dimensions
333 H x 280 W x 455 D



HYDROTAP® G5 BC

INSTANTLY FILTERED, BOILING & CHILLED WATER ON TAP



G5 HYDROTAP BC ARC - BRUSHED ROSE-GOLD



| PRODUCT CODE | DESCRIPTION |
|--------------|---|
| 2990075 | G5 BC Home M Command Centre - Residential (H50083000ZA) + Arc BC G5 Brushed Rose Gold * Font Kit Assembly Sold Separately |
| 2610322 | G5 BC Home M Command Centre - Residential (H50084000ZA) |
| 2610340 | HydroTap Arc BC G5 Tap Brushed Rose Gold (94080) |

Finish
Brushed Rose-Gold

Type
Arc
Boiling & Chilled

Size
Residential

Command Centre Dimensions
333 H x 280 W x 455 D



G5 HYDROTAP BC CUBE - BRUSHED ROSE-GOLD



| PRODUCT CODE | DESCRIPTION |
|--------------|--|
| 2990076 | G5 BC Home M Command Centre - Residential (H50083000ZA) + Cube BC G5 Brushed Rose Gold * Font Kit Assembly Sold Separately |
| 2610322 | G5 BC Home M Command Centre - Residential (H50084000ZA) |
| 2610352 | HydroTap Cube G5 BC Tap Brushed Rose Gold (94081) |

Finish
Brushed Rose-Gold

Type
Cube
Boiling & Chilled

Size
Residential

Command Centre Dimensions
333 H x 280 W x 455 D



HYDROTAP® G5 BC

INSTANTLY FILTERED, BOILING & CHILLED WATER ON TAP



G5 HYDROTAP BC ARC - BRUSHED GOLD



| PRODUCT CODE | DESCRIPTION |
|--------------|---|
| 2990077 | G5 BC Home M Command Centre - Residential (H50083000ZA) + Arc BC G5 Brushed Gold * Font Kit Assembly Sold Separately Includes: |
| 2610322 | G5 BC Home M Command Centre - Residential (H50084000ZA) |
| 2610341 | HydroTap Arc BC G5 Tap Brushed Gold (94104) |

Finish

Brushed Gold

Type

Arc
Boiling & Chilled

Size

Residential

Command Centre Dimensions

333 H x 280 W x 455 D



G5 HYDROTAP BC CUBE - BRUSHED GOLD



| PRODUCT CODE | DESCRIPTION |
|--------------|--|
| 2990078 | G5 BC Home M Command Centre - Residential (H50083000ZA) + Cube BC G5 Brushed Gold * Font Kit Assembly Sold Separately Includes: |
| 2610322 | G5 BC Home M Command Centre - Residential (H50084000ZA) |
| 2610347 | HydroTap Cube G5 BC Tap Brushed Gold (94105) |

Finish

Brushed Gold

Type

Cube
Boiling & Chilled

Size

Residential

Command Centre Dimensions

333 H x 280 W x 455 D





HYDROTAP® G5 BC

INSTANTLY FILTERED, BOILING & CHILLED WATER ON TAP



G5 HYDROTAP BC ARC - GUNMETAL



| PRODUCT CODE | DESCRIPTION |
|--------------|---|
| 2990079 | G5 BC Home M Command Centre - Residential (H50083000ZA) + Arc BC G5 Gunmetal * Font Kit Assembly Sold Separately Includes: |
| 2610322 | G5 BC Home M Command Centre - Residential (H50084000ZA) |
| 2610342 | HydroTap Arc BC G5 Tap Chrome Gunmetal (94128) |

Finish
Gunmetal

Type
Arc
Boiling & Chilled

Size
Residential

Command Centre Dimensions
333 H x 280 W x 455 D



G5 HYDROTAP BC CUBE - GUNMETAL



| PRODUCT CODE | DESCRIPTION |
|--------------|--|
| 2990080 | G5 BC Home M Command Centre - Residential (H50083000ZA) + Cube BC G5 Gunmetal * Font Kit Assembly Sold Separately Includes: |
| 2610322 | G5 BC Home M Command Centre - Residential (H50084000ZA) |
| 2610348 | HydroTap Cube G5 BC Tap Gunmetal (94129) |

Finish
Gunmetal

Type
Cube
Boiling & Chilled

Size
Residential

Command Centre Dimensions
333 H x 280 W x 455 D





* CO₂ Gas Cylinders, CO₂ Regulators Tap Extension and Font Kit Assembly Sold Separately

*Tap Extension only available for Classic Plus and Touch-Free Wave Hydrotaps

HYDROTAP® G5

COMMERCIAL BC

INSTANTLY FILTERED, BOILING & CHILLED WATER ON TAP



G5 HYDROTAP **BC60 TOUCH-FREEWAVE - CHROME**



| PRODUCT CODE | DESCRIPTION |
|--------------|--|
| 2990081 | G5 BC60 M Command Centre - Commercial (H50004000ZA) + Touch Free Wave BC G5 Chrome *Tap Extension and Font Kit Assembly Sold Separately Includes: |
| 2610319 | G5 BC60 M Command Centre - Commercial (H50004000ZA) |
| 2610324 | HydroTap Touch Free Wave Tap Assembly BC Chrome (91609) |

Finish
Chrome

Type
Touch-Free Wave
Boiling & Chilled

Size
Commercial up to 60 people

Command Centre Dimensions
333 H x 395 W x 464 D

POWERED BY
G5
TECHNOLOGY



G5 HYDROTAP **BC20 TOUCH-FREEWAVE - CHROME**



| PRODUCT CODE | DESCRIPTION |
|--------------|--|
| 2990082 | G5 BC20 M Command Centre - Commercial (H50002000ZA) + Touch Free Wave BC G5 Chrome *Tap Extension and Font Kit Assembly Sold Separately Includes: |
| 2610354 | G5 BC20 M Command Centre - Commercial (H50002000ZA) |
| 2610324 | HydroTap Touch Free Wave Tap Assembly BC Chrome (91609) |

Finish
Chrome

Type
Touch-Free Wave
Boiling & Chilled

Size
Commercial up to 20 people

Command Centre Dimensions
333 H x 280 W x 455 D

POWERED BY
G5
TECHNOLOGY



HYDROTAP® G5

COMMERCIAL BC

INSTANTLY FILTERED, BOILING & CHILLED WATER ON TAP



G5 HYDROTAP BC60 CLASSIC PLUS - CHROME



| PRODUCT CODE | DESCRIPTION |
|--------------|---|
| 2990083 | G5 BC60 M Command Centre - Commercial (H50004000ZA) + Classic Plus BC G5 Chrome *Tap Extension and Font Kit Assembly Sold Separately Includes: |
| 2610319 | G5 BC60 M Command Centre - Commercial (H50004000ZA) |
| 2610356 | HydroTap Classic Plus G5 BC Tap Chrome (91621) |

Finish
Chrome

Type
Classic Plus
Boiling & Chilled

Size
Commercial up to 60 people

Command Centre Dimensions
333 H x 395 W x 464 D



G5 HYDROTAP BC20 CLASSIC PLUS - CHROME



| PRODUCT CODE | DESCRIPTION |
|--------------|---|
| 2990084 | G5 BC20 M Command Centre - Commercial (H50002000ZA) + Classic Plus BC G5 Chrome *Tap Extension and Font Kit Assembly Sold Separately Includes: |
| 2610354 | G5 BC20 M Command Centre - Commercial (H50002000ZA) |
| 2610356 | HydroTap Classic Plus G5 BC Tap Chrome (91621) |

Finish
Chrome

Type
Classic Plus
Boiling & Chilled

Size
Commercial up to 20 people

Command Centre Dimensions
333 H x 280 W x 455 D



HYDROTAP® G5

COMMERCIAL BC

INSTANTLY FILTERED, BOILING & CHILLED WATER ON TAP



G5 HYDROTAP BC60 CLASSIC PLUS - MATT BLACK



| PRODUCT CODE | DESCRIPTION |
|--------------|---|
| 2990085 | G5 BC60 M Command Centre - Commercial (H50004000ZA) + Classic Plus BC G5 Matt Black *Tap Extension and Font Kit Assembly Sold Separately Includes: |
| 2610319 | G5 BC60 M Command Centre - Commercial (H50004000ZA) |
| 2610328 | HydroTap Classic Plus G5 BC Tap Matt Black (91621) |

Finish
Matt Black
Type
Classic Plus
Boiling & Chilled



Size
Commercial up to 60 people

Command Centre Dimensions
333 H x 395 W x 464 D

G5 HYDROTAP BC20 CLASSIC PLUS - MATT BLACK



| PRODUCT CODE | DESCRIPTION |
|--------------|---|
| 2990086 | G5 BC20 M Command Centre - Commercial (H50002000ZA) + Classic Plus BC G5 Matt Black *Tap Extension and Font Kit Assembly Sold Separately Includes: |
| 2610354 | G5 BC20 M Command Centre - Commercial (H50002000ZA) |
| 2610328 | HydroTap Classic Plus G5 BC Tap Matt Black (91621) |

Finish
Matt Black
Type
Classic Plus
Boiling & Chilled



Size
Commercial up to 20 people

Command Centre Dimensions
333 H x 280 W x 455 D

HYDROTAP® G5

COMMERCIAL BCS

INSTANTLY FILTERED, BOILING, CHILLED & SPARKLING WATER ON TAP



G5 HYDROTAP BCS60 TOUCH-FREE WAVE - CHROME



| PRODUCT CODE | DESCRIPTION |
|--------------|--|
| 2990087 | G5 BCS60 M Command Centre - Commercial (H50062000ZA) + Wave BCS G5 Chrome *CO ₂ Cylinder, CO ₂ Regulator, Tap Extension and Font Kit Assembly Sold Separately Includes: |
| 2610318 | G5 BCS60 M Command Centre - Commercial (H50062000ZA) |
| 2610323 | HydroTap Touch Free Wave Tap Assembly BCS Chrome (91610) |

Finish
Chrome

Type
Touch-Free Wave
Boiling, Chilled, & Sparkling

Size
Commercial up to 60 people

Command Centre Dimensions
333 H x 395 W x 464 D
CO₂ cylinder height may vary



G5 HYDROTAP BCS20 TOUCH-FREE WAVE - CHROME



| PRODUCT CODE | DESCRIPTION |
|--------------|---|
| 2990088 | G5 BCS20 M Command Centre - Commercial (H50006000ZA) + Touch Free Wave BCS G5 Chrome *CO ₂ Cylinder, CO ₂ Regulator, Tap Extension and Font Kit Assembly Sold Separately Includes: |
| 2610345 | G5 BCS20 M Command Centre - Commercial (H50060000ZA) |
| 2610323 | HydroTap Touch Free Wave Tap Assembly BCS Chrome (91610) |

Finish
Chrome

Type
Touch-Free Wave
Boiling, Chilled, & Sparkling

Size
Commercial up to 20 people

Command Centre Dimensions
333 H x 339 W x 460 D
CO₂ cylinder height may vary



*CO₂ CYLINDER, CO₂ REGULATOR, TAP EXTENSION AND FONT KIT ASSEMBLY SOLD SEPARATELY

2330332

ZIP CO₂ Gas Cartridge
(2 Per Pack)

HYDROTAP® G5

COMMERCIAL BCS

INSTANTLY FILTERED, BOILING, CHILLED & SPARKLING WATER ON TAP



G5 HYDROTAP BCS60 CLASSIC PLUS - CHROME



| PRODUCT CODE | DESCRIPTION |
|--------------|--|
| 2990089 | G5 BCS60 M Command Centre - Commercial (H50062000ZA) + Classic Plus BCS G5 Chrome *CO ₂ Cylinder, CO ₂ Regulator, Tap Extension and Font Kit Assembly Sold Separately Includes: |
| 2610318 | G5 BCS60 M Command Centre - Commercial (H50062000ZA) |
| 2610326 | Classic Plus G5 BCS Tap Chrome (91622) HydroTap |

Finish
Chrome

Type
Classic Plus
Boiling, Chilled, & Sparkling

Size
Commercial up to 60 people

Command Centre Dimensions
333 H x 395 W x 464 D
CO₂ cylinder height may vary



G5 HYDROTAP BCS20 CLASSIC PLUS - CHROME



| PRODUCT CODE | DESCRIPTION |
|--------------|--|
| 2990090 | G5 BCS20 M Command Centre - Commercial (H50060000ZA) + Classic Plus BCS G5 Matt Black *CO ₂ Cylinder, CO ₂ Regulator, Tap Extension and Font Kit Assembly Sold Separately Includes: |
| 2610345 | G5 BCS20 M Command Centre - Commercial (H50060000ZA) |
| 2610326 | HydroTap Classic Plus G5 BCS Tap Matt Black (91622Z03) |

Finish
Chrome

Type
Classic Plus
Boiling, Chilled, & Sparkling

Size
Commercial up to 20 people

Command Centre Dimensions
333 H x 339 W x 460 D
CO₂ cylinder height may vary



*CO₂ CYLINDER, CO₂ REGULATOR, TAP EXTENSION AND FONT KIT ASSEMBLY SOLD SEPARATELY

2330332

ZIP CO₂ Gas Cartridge
(2 Per Pack)

HYDROTAP® G5

COMMERCIAL BCS



INSTANTLY FILTERED, BOILING, CHILLED & SPARKLING WATER ON TAP

G5 HYDROTAP BCS60 CLASSIC PLUS - MATT BLACK



| PRODUCT CODE | DESCRIPTION |
|--------------|---|
| 2990091 | G5 BCS60 M Command Centre - Commercial (H50062000ZA) + Classic Plus BCS G5 Matt Black *CO ₂ Cylinder, CO ₂ Regulator, Tap Extension and Font Kit Assembly Sold Separately |
| | Includes: |
| 2610318 | G5 BCS60 M Command Centre - Commercial (H50062000ZA) |
| 2610327 | HydroTap Classic Plus G5 BCS Tap Matt Black (91622) |

Finish
Matt Black

Type
Touch-Free Wave
Boiling, Chilled, & Sparkling

Size
Commercial up to 60 people

Command Centre Dimensions
333 H x 395 W x 464 D
CO₂ cylinder height may vary



G5 HYDROTAP BCS20 CLASSIC PLUS - MATT BLACK



| PRODUCT CODE | DESCRIPTION |
|--------------|---|
| 2990092 | G5 BCS20 M Command Centre - Commercial (H50060000ZA) + Classic Plus BCS G5 Matt Black *CO ₂ Cylinder, CO ₂ Regulator, Tap Extension and Font Kit Assembly Sold Separately |
| | Includes: |
| 2610345 | G5 BCS20 M Command Centre - Commercial (H50060000ZA) |
| 2610327 | HydroTap Classic Plus G5 BCS Tap Matt Black (91622) |

Finish
Matt Black

Type
Touch-Free Wave
Boiling, Chilled, & Sparkling

Size
Commercial up to 20 people

Command Centre Dimensions
333 H x 339 W x 460 D
CO₂ cylinder height may vary



*CO₂ CYLINDER, CO₂ REGULATOR, TAP EXTENSION AND FONT KIT ASSEMBLY SOLD SEPARATELY

2330332

ZIP CO₂ Gas Cartridge
(2 Per Pack)

HYDROTAP® G5

COMMERCIAL BA



INSTANTLY FILTERED, BOILING & AMBIENT WATER ON TAP
 *Ambient water temperatures may vary dependent on frequency of usage

G5 HYDROTAP BA60 TOUCH-FREE WAVE - CHROME



| PRODUCT CODE | DESCRIPTION |
|--------------|---|
| 2990093 | G5 BA60 M Command Centre - Commercial (H50008000ZA) + Touch Free Wave BA G5 Chrome *Tap Extension and Font Kit Assembly Sold Separately |
| | Includes: |
| 2610320 | G5 BA60 M Command Centre - Commercial (H50008000ZA) |
| 2610325 | HydroTap Touch Free Wave Tap Assembly BA Chrome (91608) |

Finish
Chrome

Type
Touch-Free Wave
Boiling & Ambient

Size
Commercial up to 60 people

Command Centre Dimensions
333 H x 280 W x 313 D



G5 HYDROTAP BA60 CLASSIC PLUS - CHROME



| PRODUCT CODE | DESCRIPTION |
|--------------|--|
| 2990094 | G5 BA60 M Command Centre - Commercial (H50008000ZA) + Classic Plus BA G5 Chrome *Tap Extension and Font Kit Assembly Sold Separately |
| | Includes: |
| 2610320 | G5 BA60 M Command Centre - Commercial (H50008000ZA) |
| 2610358 | HydroTap Classic Plus G5 BA Tap Chrome (91620) |

Finish
Chrome

Type
Classic Plus
Boiling & Ambient

Size
Commercial up to 60 people

Command Centre Dimensions
333 H x 280 W x 313 D



G5 HYDROTAP BA60 CLASSIC PLUS - MATT BLACK



| PRODUCT CODE | DESCRIPTION |
|--------------|--|
| 2990095 | G5 BA60 M Command Centre - Commercial (H50008000ZA) + Classic Plus BA G5 Matt Black *Tap Extension and Font Kit Assembly Sold Separately |
| | Includes: |
| 2610320 | G5 BA60 M Command Centre - Commercial (H50008000ZA) |
| 2610359 | HydroTap Classic Plus G5 BA Tap Matt Black (91620) |

Finish
Matt Black

Type
Classic Plus
Boiling & Ambient

Size
Commercial up to 60 people

Command Centre Dimensions
333 H x 280 W x 313 D



HYDROTAP® G5 COMMERCIAL CS

INSTANTLY CHILLED & SPARKLING WATER ON TAP



G5 HYDROTAP CS100 TOUCH-FREE WAVE - CHROME



| PRODUCT CODE | DESCRIPTION |
|--------------|--|
| 2990096 | G5 CS100 M Command Centre - Commercial (H50002000ZA) + Touch Free Wave CS G5 Chrome *CO ₂ Cylinder, CO ₂ Regulator, Tap Extension and Font Kit Assembly Sold Separately Includes: |
| 2610357 | G5 CS100 Command Centre - Commercial (H50065000ZA) |
| 2610355 | HydroTap Touch Free Wave Tap Assembly CS Chrome (91612) |

Finish
Chrome



Type
Touch-Free Wave
Chilled & Sparkling



Size
Commercial up to 100 people

Command Centre Dimensions
333 H x 280 W x 476 D
CO₂ cylinder height may vary

G5 HYDROTAP CS100 CLASSIC PLUS - CHROME



| PRODUCT CODE | DESCRIPTION |
|--------------|---|
| 2990097 | G5 CS100 M Command Centre - Commercial (H50002000ZA) + Classic Plus CS G5 Chrome *CO ₂ Cylinder, CO ₂ Regulator, Tap Extension and Font Kit Assembly Sold Separately Includes: |
| 2610357 | G5 CS100 Command Centre - Commercial (H50065000ZA) |
| 2610331 | HydroTap Classic Plus G5 CS Tap Chrome (91624) |

Finish
Chrome



Type
Classic Plus
Chilled & Sparkling



Size
Commercial up to 100 people

Command Centre Dimensions
333 H x 280 W x 476 D
CO₂ cylinder height may vary

G5 HYDROTAP CS100 CLASSIC PLUS - MATT BLACK



| PRODUCT CODE | DESCRIPTION |
|--------------|---|
| 2990098 | G5 CS100 M Command Centre - Commercial (H50002000ZA) + Classic Plus CS G5 Matt Black *CO ₂ Cylinder, CO ₂ Regulator, Tap Extension and Font Kit Assembly Sold Separately Includes: |
| 2610357 | G5 CS100 Command Centre - Commercial (H50065000ZA) |
| 2610332 | HydroTap Classic Plus G5 CS Tap Matt Black (91624) |

Finish
Matt Black



Type
Classic Plus
Chilled & Sparkling



Size
Commercial up to 100 people

Command Centre Dimensions
333 H x 280 W x 476 D
CO₂ cylinder height may vary

HYDROTAP® G5

OPTIONAL ACCESSORIES

Boiling Hydrotap accessories

| | | |
|---------|-------------------------------------|------------------------------|
| 2610039 | Boiling Water Booster Upgrade 91412 | Booster Upgrade 40 cups/hour |
|---------|-------------------------------------|------------------------------|

Classic Plus accessories



| | |
|---------|--|
| 2330810 | Hydrotap Raised Font Kit 135mm - Chrome (95258) <small>(Raised drip tray redesigned to minimise water spillage)</small> |
|---------|--|



| | |
|---------|--|
| 2330811 | Hydrotap Raised Font Kit 135mm - Matt Black (95258) <small>(Raised drip tray redesigned to minimise water spillage)</small> |
|---------|--|



| | |
|---------|--|
| 2330435 | Zip Font Kit Assembly - G5 Matt Black - PN (93298) |
|---------|--|



| | |
|---------|---|
| 2330200 | Zip Font Kit Assembly - G5 Chrome - (93303) |
|---------|---|



| | |
|---------|--|
| 2330304 | Hydrotap Font Tap Extension - Chrome (93291) |
|---------|--|



| | |
|---------|--|
| 2330506 | Hydrotap Font Tap Extension - Matt Black |
|---------|--|

Touch-Free Wave accessories



| | |
|---------|--|
| 2330810 | Hydrotap Raised Font Kit 135mm - Chrome (95258) <small>(Raised drip tray redesigned to minimise water spillage)</small> |
|---------|--|



| | |
|---------|---|
| 2330200 | Zip Font Kit Assembly - G5 Chrome - (93303) |
|---------|---|

Arc and Cube accessories



2330436
Zip Font Kit Assembly - Matt Black G5 Arc & Cube Tap (93444)



2330504
Zip Font Kit Assembly - Chrome G5 Arc & Cube Tap (94033)



2330735
Zip Font Kit A Assembly - Brushed Gold G5 Arc & Cube Tap (93580)



2330736
Zip Font Kit Assembly - Brushed Rose Gold G5 Arc & Cube Tap (93580)



2330737
Zip Font Kit Assembly - Gunmetal G5 Arc & Cube Tap (93580)

HOW TO BUILD YOUR HYDROTAP

ARC / CUBE HYDROTAP



CLASSIC PLUS / TOUCH-FREE HYDROTAP



SPECIFICATION

RESIDENTIAL

ZIP Hydrotap G5 (for residential use)

ZIP HydroTap G5 undercounter instant filtered boiling and chilled water unit. Tap to contain dual boiling and chilled water levers, with child safety lock (when activated). Unit to be equipped with Power-Pulse technology, Air-cooled system and programmable 24/7 timer, including a factory fitted triple action water conditioning filtration system. HydroTap to be supplied with a font and drainer (Optional) Unit to be installed in accordance with manufacturer's installation instruction manual

COMMERCIAL

ZIP Hydrotap G5 (up to 20/60/100)

ZIP HydroTap G5 undercounter instant filtered boiling and chilled water unit. Tap to contain dual boiling and chilled water levers, with child safety lock (when activated). Unit to be equipped with Power-Pulse technology, Air-cooled system and programmable 24/7 timer, including a factory fitted triple action water conditioning filtration system. HydroTap to be supplied with a font and drainer (Optional). Unit to be installed in accordance with manufacturer's installation instruction manual.



*Font Kit Assembly Sold Separately

HYDROTAP INSTALLATION

LOCATION

Tap must be positioned so that it drains into a suitable sink, or be installed on the optional tap "font kit" which is plumbed to waste. Tap should be situated as closely as possible to directly above the under-sink G5 Command-Centre. Maximum distance from the base of the tap to the G5 Command-Centre is one metre. G5 Command-Centre must have clearances as shown on the drawings. Ventilation accessories

Hydrotap G5 BC

Ventilation accessories (supplied) must be installed as per instructions.

Hydrotap G5 BCS

Ventilation accessories (supplied) must be installed as per instructions.

Hydrotap G5 BA

G5 Command-Centre must have clearances as shown on the drawings.

PLUMBING

Must be installed by a qualified plumber in accordance with instructions supplied with the product and with South African plumbing regulations. Water must not have a TDS reading of more than 20 PPM. Water supply must be potable (drinkable), and deliver at least 2 litres per minute at a minimum dynamic pressure of 70kPa and a minimum static pressure of 270 kPa. If static pressure exceeds 600kPa, a pressure reducing valve must be fitted. An isolating valve must be installed between the water supply and the under-sink system. The under-sink system must be located directly beneath the tap - max up to 1000mm away. Under-sink tubing must be taut for proper drainage - and never be looped or coiled.

ELECTRICAL

Plugged to a 15amp GPO within 1000mm. Power supply - 220V to 240V AC 50/60Hz.

Install in accordance with South African safety regulations.

VENTILATION

The under-sink system must be installed with ventilation clearances 50mm left and right, 220mm above and 65mm rear. The cupboard containing the under-sink system must be amply ventilated. Buffers supplied must be fitted to the inside of cupboard doors to prevent flush closure, creating an undetectable 4mm airspace around each door.

FILTRATION:

Provides clear, fresh, premium quality ingredient water for consistently great tasting coffee and beverages

Sanitary cartridge replacement is simple, quick and clean; internal filter parts are never exposed to handling or contamination

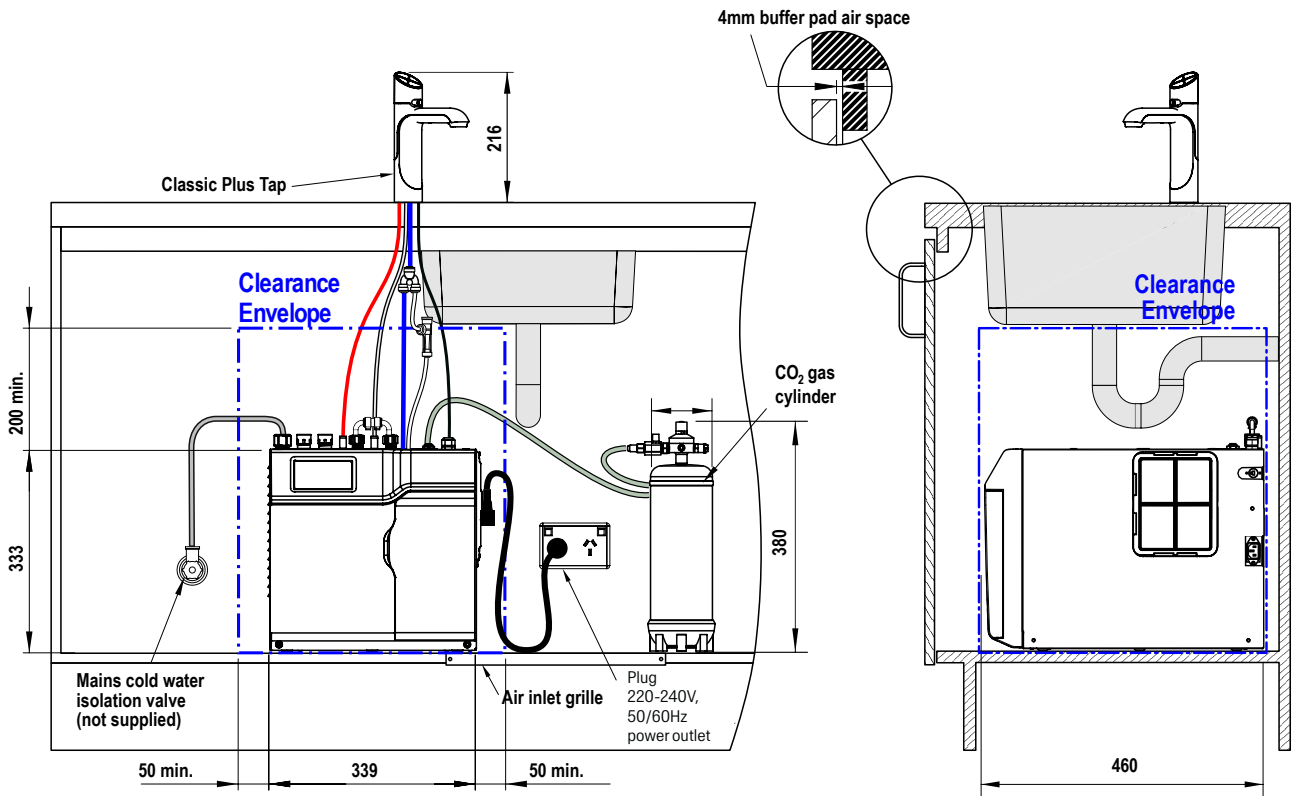
ZIP's unique filter blend using activated carbon reduces chlorine taste & odor and other offensive contaminants

Proprietary Micro-Pure® II filtration media effectively inhibits the growth of bacteria on the filter media that can decrease product life. NSF/ANSI Standard 53 certified to reduce cysts such as Cryptosporidium and Giardia by mechanical means.

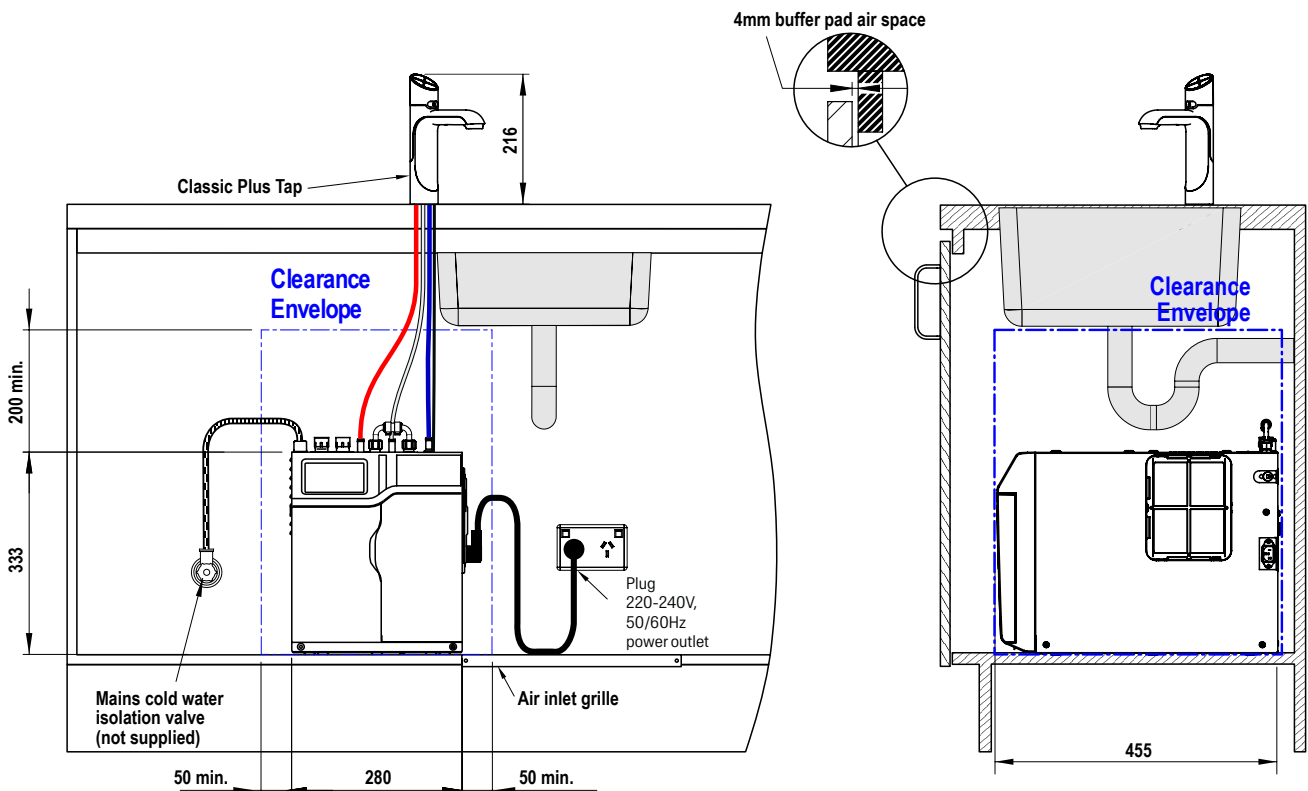
Failing to comply with any of the installation requirements may result in the warranty being voided.

NOTE: Filtration warranty is limited to defective parts. The warranty does not cover a blocked filter. Filters can be blocked in a matter of days depending on water conditions. We recommend a pre filter

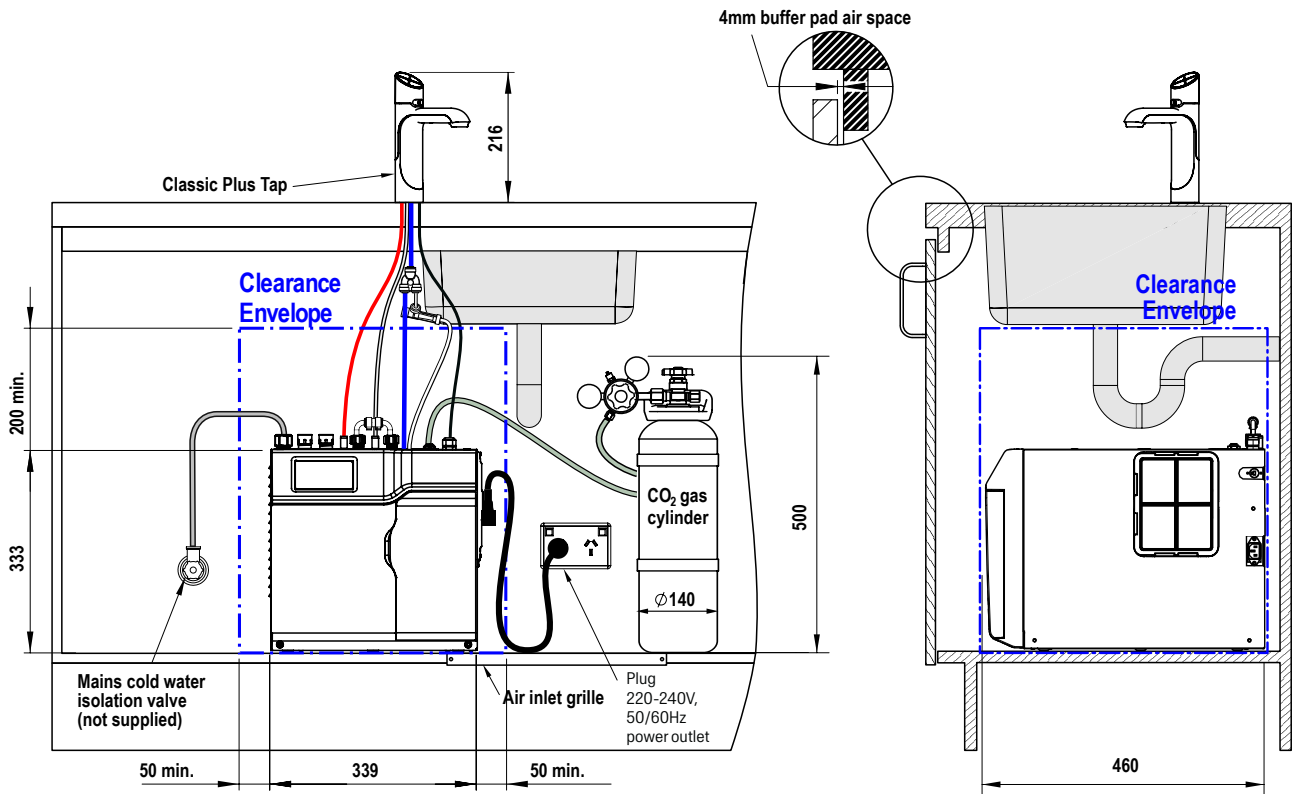
RESIDENTIAL - HYDROTAP BCS INSTALLATION



RESIDENTIAL - HYDROTAP BC INSTALLATION

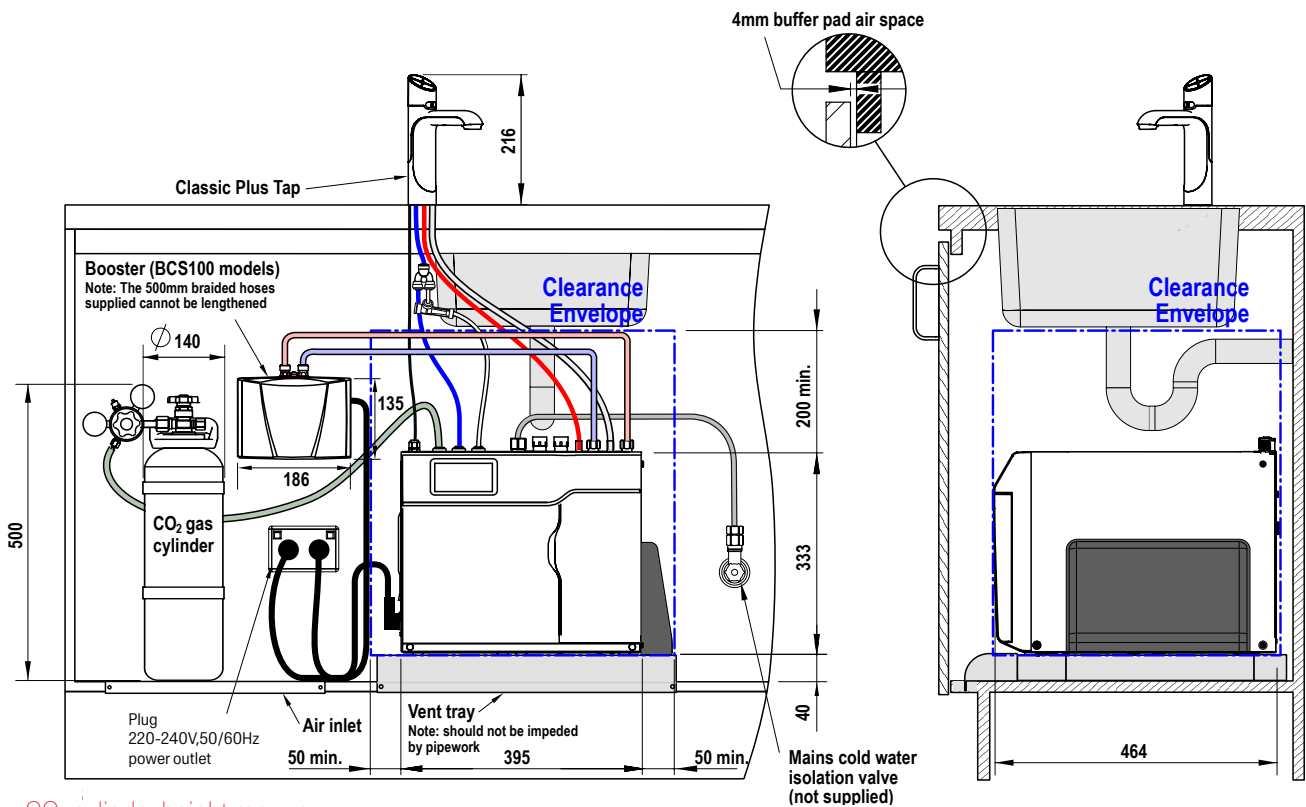


COMMERCIAL - HYDROTAP BCS20 INSTALLATION



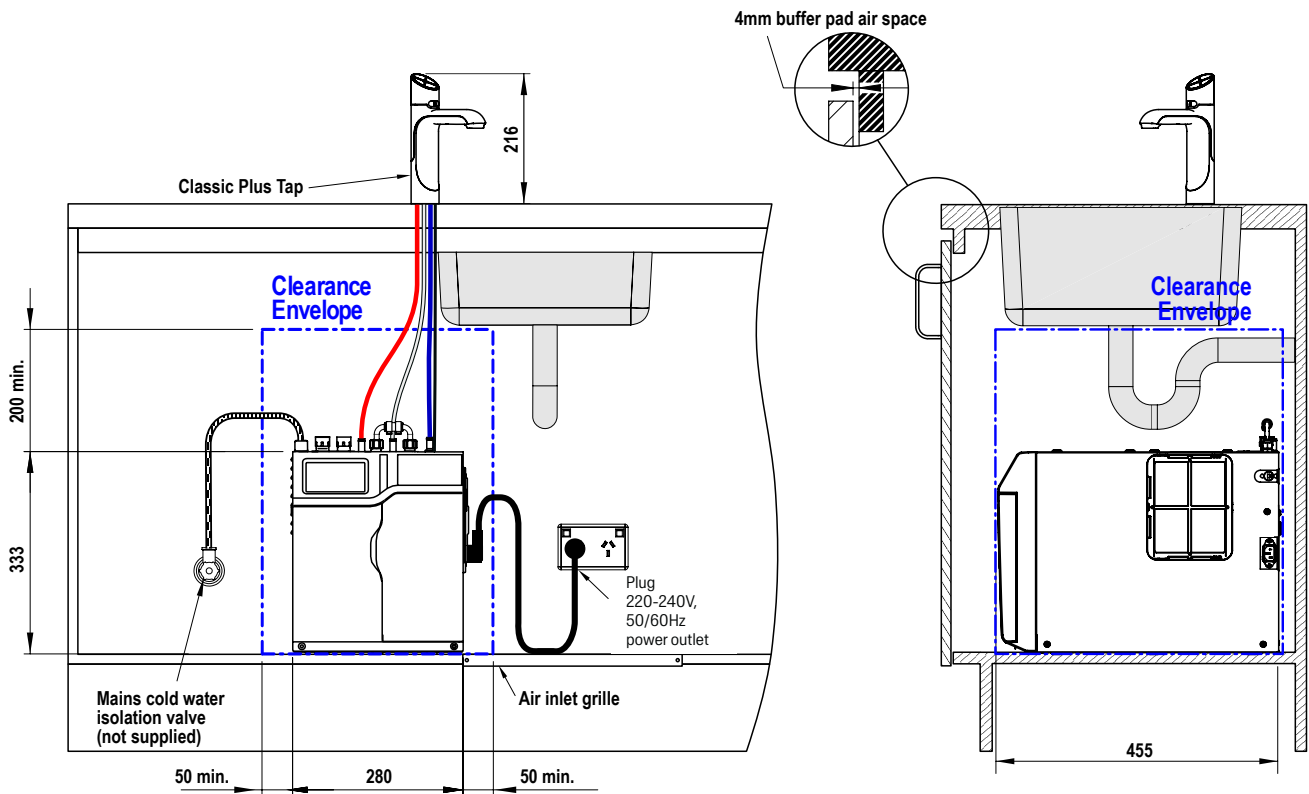
CO₂ cylinder height may vary

COMMERCIAL - HYDROTAP BCS60 INSTALLATION

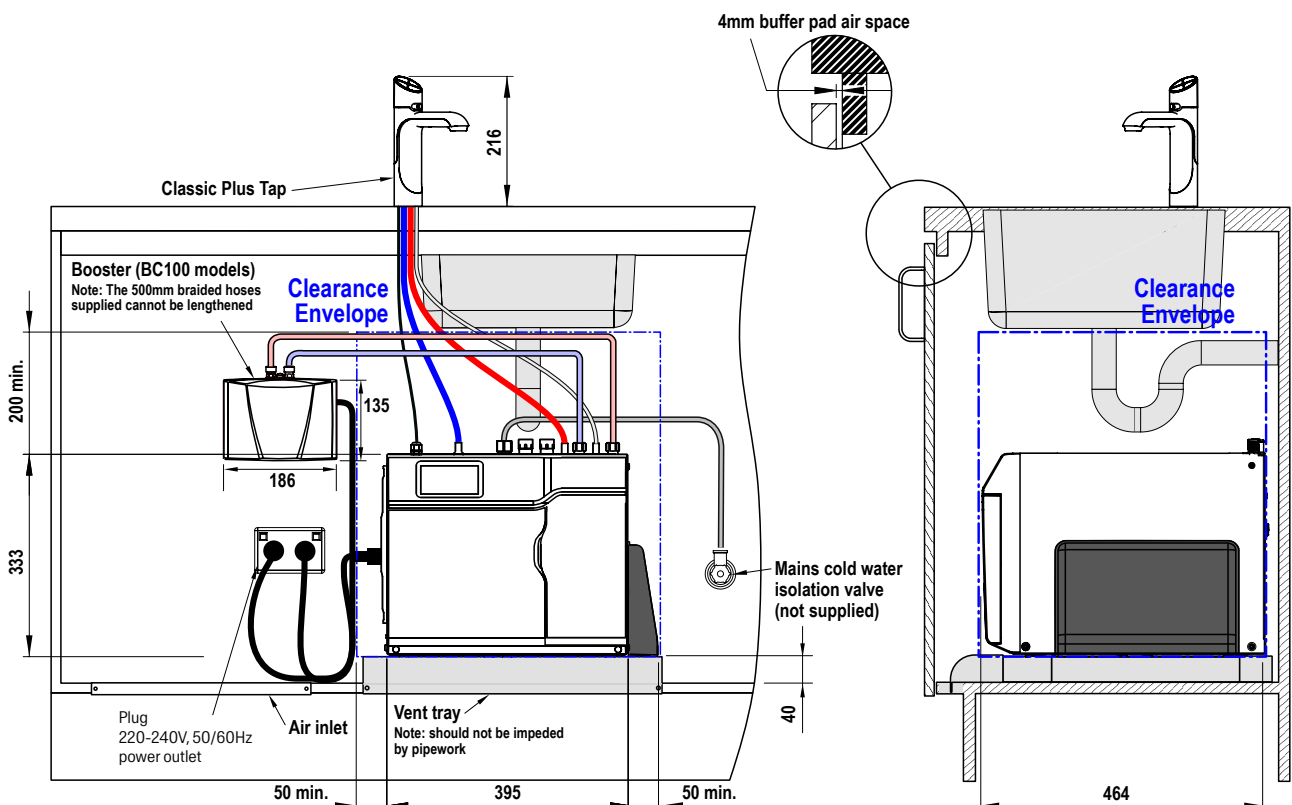


CO₂ cylinder height may vary

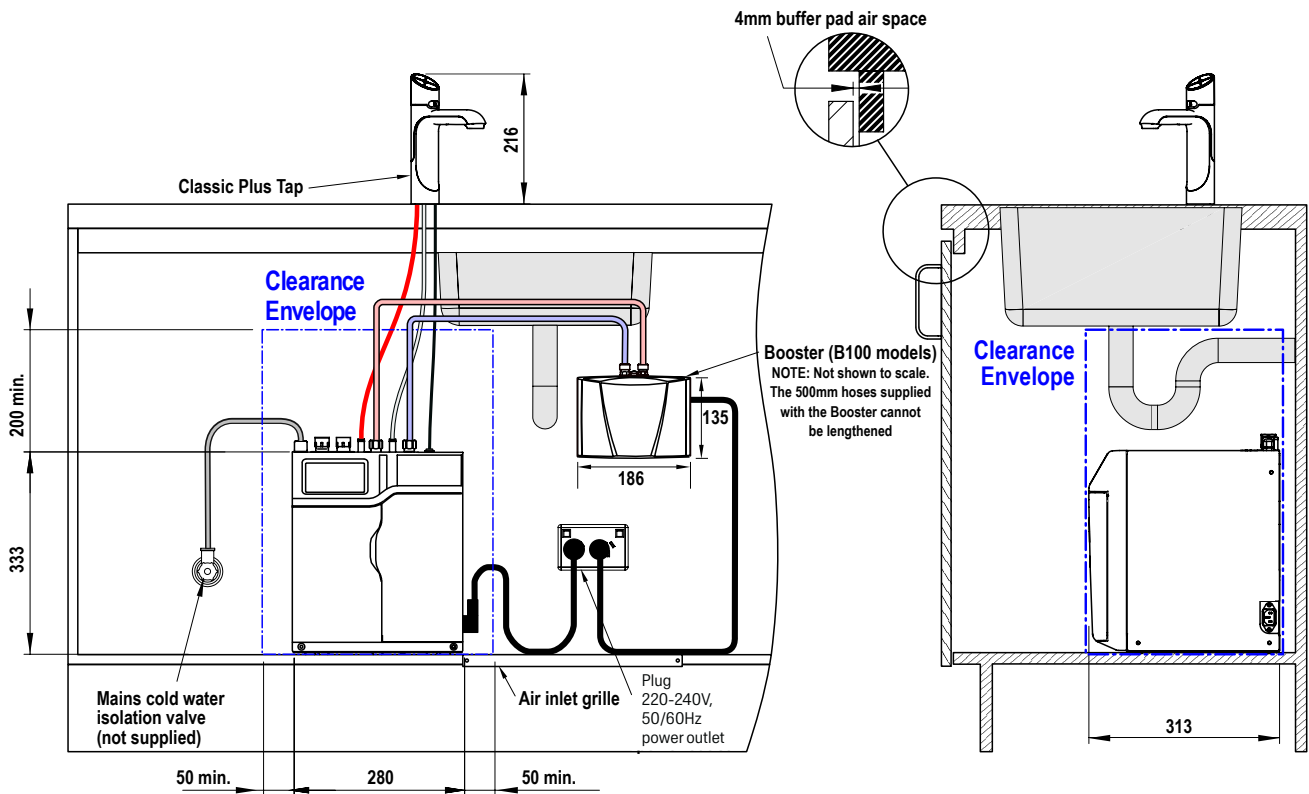
COMMERCIAL - HYDROTAP BC20 INSTALLATION



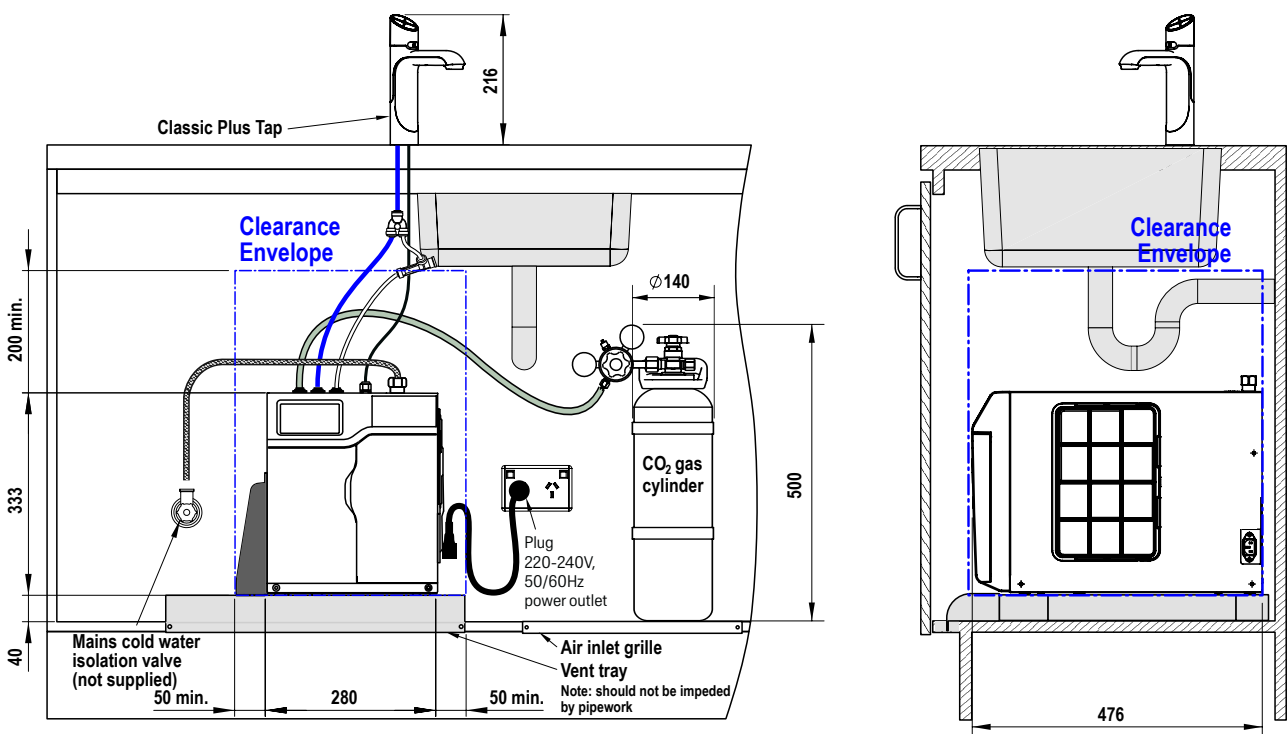
COMMERCIAL - HYDROTAP BC60 INSTALLATION



COMMERCIAL - HYDROTAP BA60 INSTALLATION

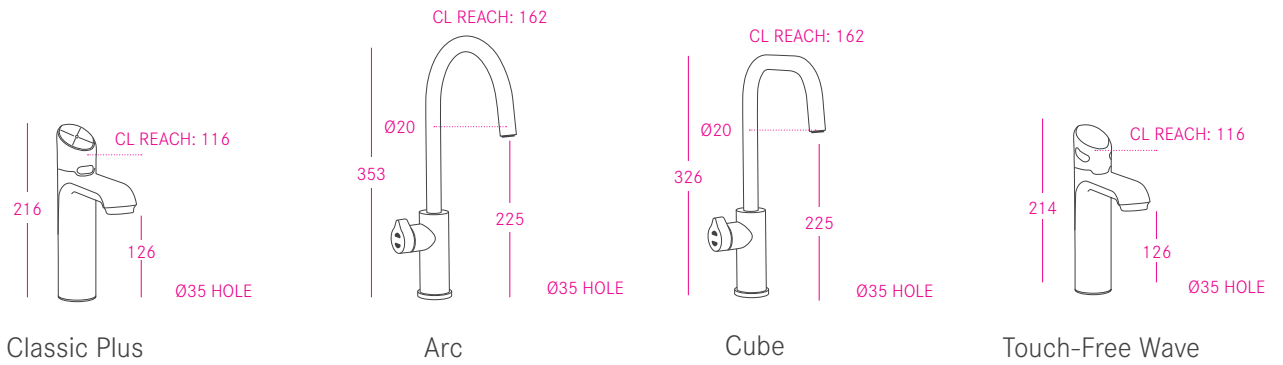


COMMERCIAL - HYDROTAP CS100 INSTALLATION

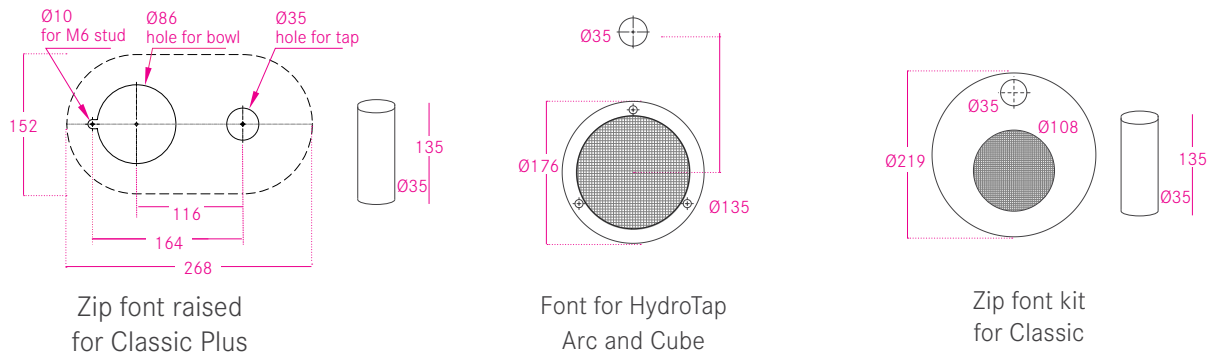


CO₂ cylinder height may vary

Tap Technical information



Font Kit Technical information



ZIP FILTRATION

UNIVERSAL IN-LINE FILTER KIT



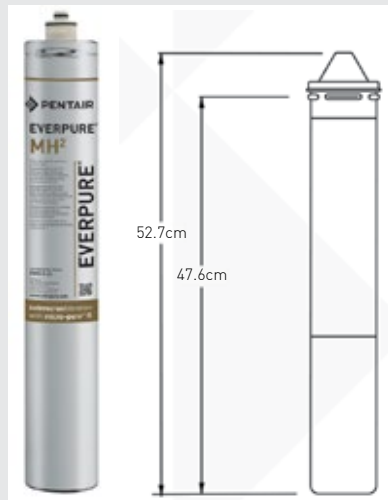
4DC

- Drinking Water
- Water Coolers
- Rated capacity 11 350L
- Dimensions: 36.2cm x 8.26cm



MH²

- Coffee
- High -flow, higher volume brewers
- Rated capacity 34 068L
- Dimensions: 52.7cm x 8.3cm



APPLICATIONS

- Hydroboils
- Chill Taps
- Chillers
- In-line Filtration
- Filter Taps

FILTERHEAD



INSTALLATION TIPS

- Install vertically with cartridge hanging down.
- Flush system by running water through filter for 3 minutes at full flow.
- Change cartridge on a regular 6 month preventative maintenance program.
- Service flow must not exceed 0.5 gpm (1.9 Lpm)
- Allow for 6.35cm clearance below cartridge for easy cartridge replacement.

FEATURES AND BENEFITS

Provides clear, fresh, premium quality ingredient water for consistently great tasting coffee and beverages

Sanitary cartridge replacement is simple, quick and clean; internal filter parts are never exposed to handling or contamination

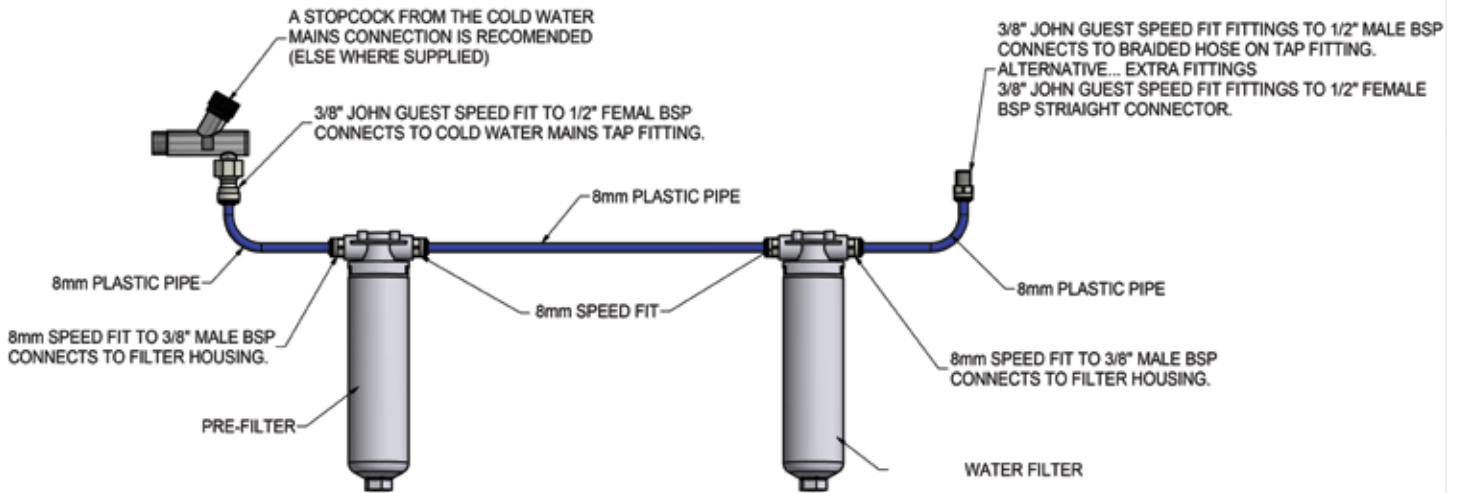
ZIP'S unique filter blend using activated carbon reduces chlorine taste & odor and other offensive contaminants

Proprietary Micro-Pure® II filtration media effectively inhibits the growth of bacteria on the filter media that can decrease product life. NSF/ANSI Standard 53 certified to reduce cysts such as Cryptosporidium and Giardia by mechanical means.

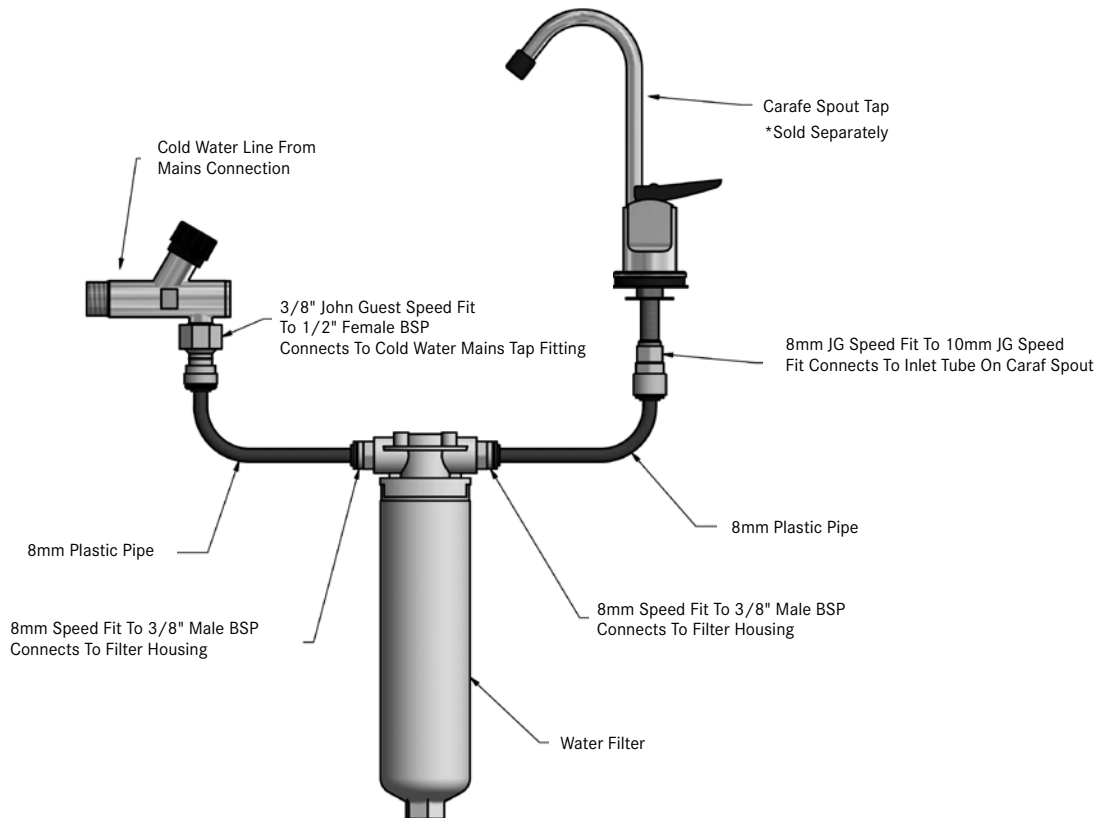
IN-LINE FILTER KITS AND REPLACEMENT CARTRIDGES

| PRODUCT CODE | DESCRIPTION |
|--------------|--|
| 2330727 | Universal Pre-Filter Kit (Excludes Filter) |
| 2330728 | Pre-Filter Filter |
| 2330704 | Universal In-Line Filter Kit (Excludes Filter) |
| 1330195 | 4DC (Filter Only) 1,350 litres |
| 2330493 | MH ² (Filter Only) 34,068 litres |

UNIVERSAL PRE-FILTER & INLINE FILTER KIT



AMBIENT DIY FILTER KIT WITH SPOUT (CARAFE SPOUT SOLD SEPRATELY)



| PRODUCT CODE | DESCRIPTION |
|--------------|---|
| 1330213 | Ambient DIY Filter Kit (Carafe spout sold separately) |
| 2330287 | Carafe Spout |
| 1330195 | 4DC (Filter Only) 11,350 litres |
| 2330493 | MH ² (Filter Only) 34,068 litres |



HYDROBOIL Plus

– the most energy-efficient electronically controlled instant boiling water system yet.



Instant Boiling
Water on Tap!

Zip HydroBoil Plus saves energy in 5 ways:



1. Power-Pulse™ technology cuts standby power consumption dramatically. Cuts back to micro-pulse power during periods of light usage, or when unused.



2. Sleep-mode feature can be set to activate after 2 or 4 hours of non-use.



3. Sleep-when-it-is-dark feature can be set to activate whenever lights go off.



4. Programmable 24/7 on/off power clock can disconnect power twice each day.



5. Patented steam-heat-boost system recycles steam to preheat incoming water.

ZIP HYDROBOIL PLUS

Features

- Large capacity on-wall instant boiling water system.
- Built-in patented technology for increased energy-efficiency.
- Patented twin-chamber technology separates incoming cold water from boiling.
- Patented steam-heat-boost technology pre-heats incoming cold water.
- Two-way, cool-to-touch tap for easy and safe dispensing of boiling water.
- Push forward for filling cups, pull back to 'lock on' to fill pots hands-free.
- Dual-port internal water tank access for easy servicing.
- Suitable for all water areas, with stainless steel boiling tank.

Description

- Large capacity instant boiling water heater.
- Patented twin-chamber technology separates incoming mains water from boiling tank so boiling water temperature is not compromised.
- Patented steam-heat-boost feature preheats mains water in the cistern prior to entry into boiling tank.
- Designed to maintain water within 1°C of boiling set point. Factory set to 98°C.
- Internal condensing system retains steam within the heater minimising energy loss.
- Classic two-way tap control for precision filling of cups. Lifting tap locks ON for filling pots.
- Stainless steel boiling chamber with service access ports on top and bottom.
- Temperature control automatically cuts off the power in the event of temperature control failure or boil dry situation.

| PRODUCT CODE | DESCRIPTION | DIMENSIONS WxDxH | MAXIMUM CUPS AT ANY ONE TIME | APPROX. RECOVERY RATE PER MINUTE | ELEMENT RATING kW | PHASE V |
|--------------|---------------------------|------------------|------------------------------|----------------------------------|-------------------|-----------------|
| 2610290 | 3L HydroBoil Plus White | 289 X 180 X 431 | 15 - 18 | 1.5 Cups | 1.5 | Single 220/240V |
| 2610291 | 7.5L HydroBoil Plus White | 318 X 198 X 578 | 45 - 50 | 2.5 Cups | 2.4 | Single 220/240V |

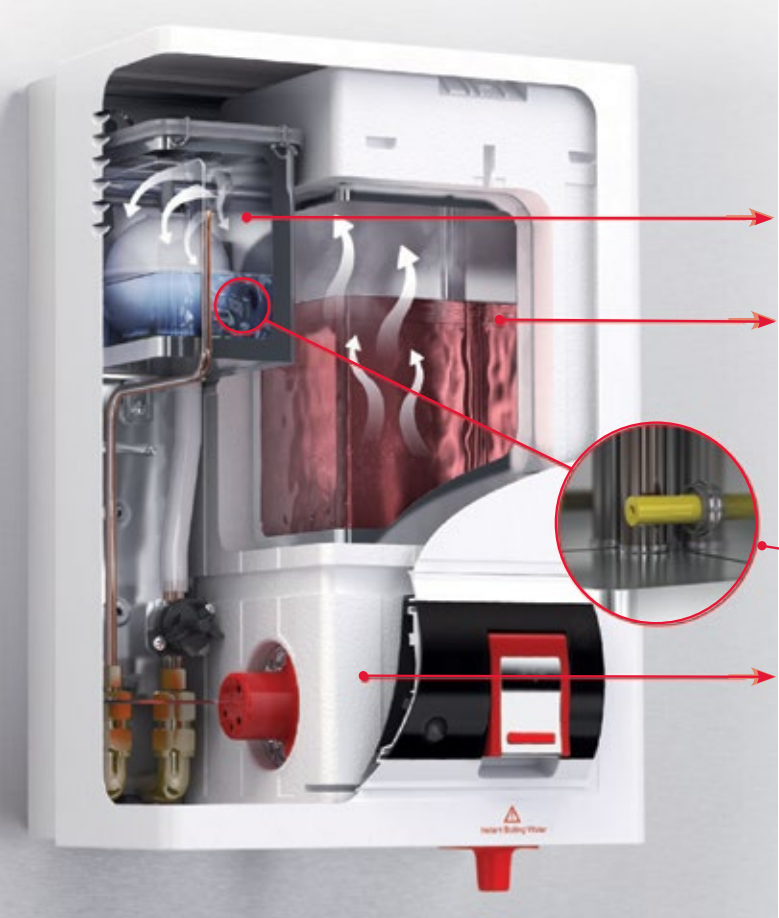
* HydroBoil Plus has a 2 year warranty

Optional filtration

UNIVERSAL IN-LINE FILTER KIT

| PRODUCT CODE | DESCRIPTION |
|--------------|--|
| 2330727 | Universal Pre-Filter Kit (Excludes Filter) |
| 2330728 | Pre-Filter Filter |
| 2330704 | Universal In-Line Filter Kit (Excludes Filter) |
| 1330195 | 4DC (Filter Only) 1,350 litres |
| 2330493 | MH ² (Filter Only) 34,068 litres |

ZIP HYDROBOIL PLUS



Patented twin chamber technology. Stores incoming cold water separately from boiling water.

Patented steam-heat-boost system. Recycles energy from steam to pre-heat incoming cold water.



Patented Teflon™ metering tube. Regulates water inflow so boiling water is maintained at set temperature.

Moulded high temperature insulation. Superior heat retention performance minimizes boiling water heat loss.

Specification

ZIP HydroBoil Plus 3 litre or 7.5 litre (please specify) Stainless Steel instant boiling water unit. Manufactured from Stainless Steel with a two-way tap, complete with twin-chamber technology, a steam-heat boost system and Power-Pulse technology. Unit to be installed in accordance with manufacturer's installation instruction manual.

Optional Extra: ZIP TUN DISH

| IMAGE | PRODUCT CODE | DESCRIPTION |
|---|--------------|-----------------------------|
|  | 2330583 | ZIP TUN DISH - WALL MOUNTED |
|  | 2330584 | ZIP TUN DISH - SINK MOUNTED |



Zip®

W A T E R

HYDROBOILS Instant Boiling Water on Tap!

SAVES TIME!

The HydroBoil provides instant boiling water 24 hours a day.

SAVES ENERGY!

Two-way tap control for a cup full or a teapot full at a time.

SAVES SPACE!

Eliminates the need for kettles, urns and exposed power leads.

HYGIENIC!

Concealed cistern, ensuring the ultimate in hygiene and protecting cupboards from steam damage.



HYDROBOIL



Features

- Instant boiling water for tea, coffee, and cooking .
- Designed to operate within 3°C of boiling point with thermal temperature control.
- New energy conserving “Cool Touch” tap provides fingertip control, reduces heat loss and saves energy.
- Two-way tap control for precision filling of cups, locks on for filling pots.
- Fully automatic.
- Steam free.
- Optional filtration systems.
- Choice of brushed Stainless Steel or White Powder Coated.
- Able to deliver between 12 to 300 cups of boiling water at one time depending on choice of model.
- Peak demand-loading is reduced considerably in comparison to traditional kettles and urns.
- Concealed plumbing and electrical connections.

Description

- Twin chamber instant boiling water heater.
- Capacity: 2.5, 5, 7.5, 10, 15, 25, 50 litres.
- Thermal thermostat.
- Available in Stainless Steel or corrosion resistant White Epoxy Powder Coated Steel.
- Thermal cut-out to protect against over-boiling and complications occurred during water supply interruption.

HYDROBOIL

*Cup = 167ml | Glass = 200ml

| PRODUCT CODE WHITE EPOXY | PRODUCT CODE STAINLESS STEEL | DESCRIPTION | DIMENSIONS W x D x H (mm) | MAXIMUM CUPS AT ANY ONE TIME | APPROX. RECOVERY RATE PER MINUTE | ELEMENT RATING kW | POWER SUPPLY |
|--------------------------------|------------------------------------|-----------------------------|------------------------------|---------------------------------------|---|-------------------------|----------------------|
| 2610006 | 2610007 | 2.5 litre HydroBoil | 263 x 174 x 350 | 12 - 15 | 1 Cup | 1.5 | Single 220/230V |
| 2610008 | 2610009 | 5 litre HydroBoil | 313 x 174 x 460 | 25 - 30 | 1 Cup | 1.5 | Single 220/230V |
| 2610010 | 2610011 | 7.5 litre HydroBoil | 323 x 188 x 460 | 36 - 45 | 1 Cup | 1.5 | Single 220/230V |
| 2610012 | 2610013 | 10 litre HydroBoil | 355 x 193 x 522 | 50 - 60 | 1.5 Cups | 2.4 | Single 220/230V |
| 2610014 | 2610015 | 15 litre HydroBoil | 375 x 265 x 520 | 75 - 90 | 2 Cups | 2.4 | Single 220/230V |
| 2610016 | 2610017 | 25 litre HydroBoil (2Taps)* | 512 x 265 x 520 | 120 - 150 | 3 Cups | 3.0 | Single 220/230V |
| 2610018 | 2610019 | 50 litre HydroBoil (2Taps)* | 855 x 280 x 590 | 250 - 300 | 6 Cups | 1x7.2 | Three Phase 380/230V |

*1 Year Warranty

Optional filtration UNIVERSAL IN-LINE FILTER KIT

| PRODUCT CODE | DESCRIPTION |
|--------------|--|
| 2330727 | Universal Pre-Filter Kit (Excludes Filter) |
| 2330728 | Pre-Filter Filter |
| 2330704 | Universal In-Line Filter Kit (Excludes Filter) |
| 1330195 | 4DC (Filter Only) 1,350 litres |
| 2330493 | MH ² (Filter Only) 34,068 litres |



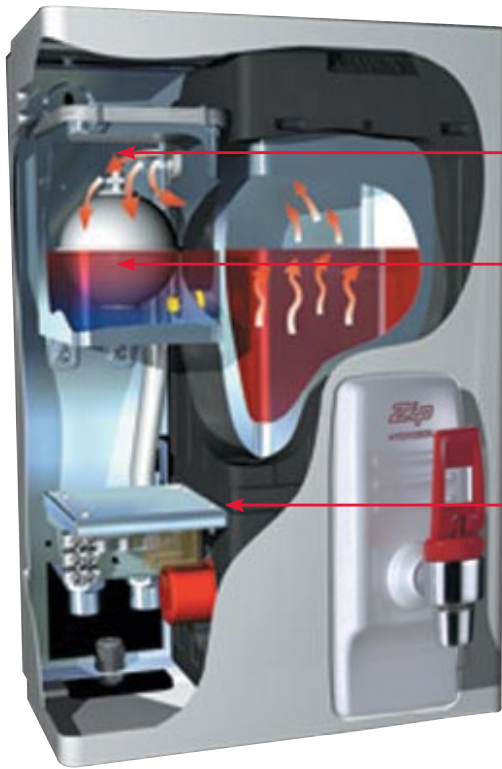
COOL TOUCH™ HANDLE
New energy conserving “Cool Touch” handle provides fingertip control, reduces heat loss and saves energy.



POT FILLING
By pressing the tap backwards, it locks into place supplying a continuous flow of boiling water for filling pots.



CUP FILLING
Pulling and holding the tap forward allows you to control precision filling of cups.



Patented steam heat boost system.
Recycles energy from steam to pre-heat incoming cold water.

Patented twin chamber technology.
Stores incoming cold water separately from boiling water.

High temperature insulation.
Superior heat retention performance minimises heat loss.

Specification

- HydroBoil Stainless Steel

ZIP HydroBoil ...litre (please specify) Stainless Steel instant boiling water unit. Outer case manufactured from Stainless Steel with a two-way tap, complete with twin-chamber technology. Unit to be installed in accordance with manufacturer's installation instruction manual.

- HydroBoil White Epoxy Powder Coated

ZIP HydroBoil ...litre (please specify) instant boiling water unit with White Epoxy Powder Coated outer case, and a two-way tap, complete with twin-chamber technology. Unit to be installed in accordance with manufacturer's installation instruction manual.

Optional Extra: ZIP TUNDISH

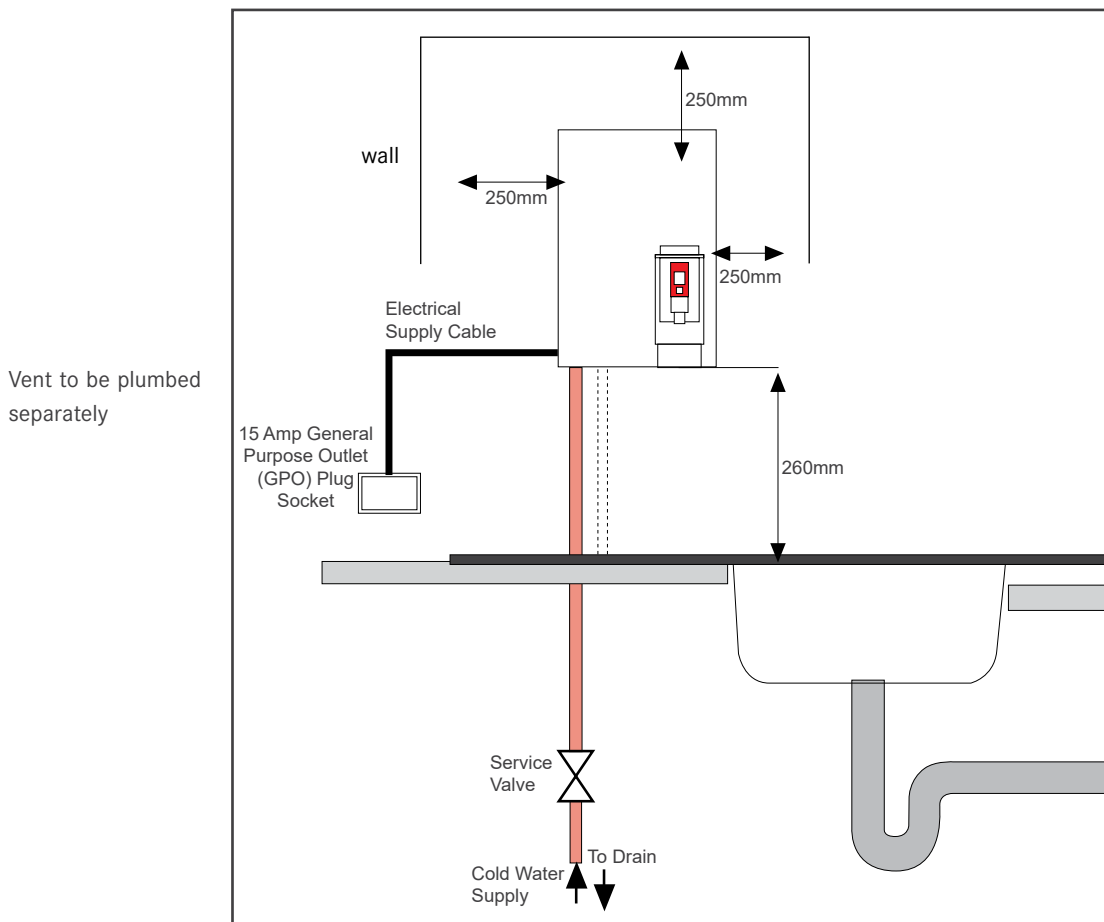
| IMAGE | PRODUCT CODE | DESCRIPTION |
|---|--------------|----------------------------|
|  | 2330583 | ZIP TUNDISH - WALL MOUNTED |
|  | 2330584 | ZIP TUNDISH - SINK MOUNTED |

The Tundish is the ideal solution to prevent bacteria from growing and entering your drinking water.

Installing a Tundish on your vent system creates an "Air Gap" which effectively breaks the link between the Hydroboil and the overflow waste. It is ideal for hidden plumbing and still offers a visible inspection if there is an overflow from the unit.

With two options available: either wall mounting or sink mounting, there is a solution available to suite your requirements.

ZIP HydroBoil Plus & HydroBoil Installation



Refer to the Installation Guide for details (included with the product)

Location

To be installed over a sink draining board or a bench top equipped with a portable or plumbed drip tray. Tap outlet clearance to sink 260 mm unless pot filling requires greater access. Minimum service access clearance of 250 mm above, 250 mm to left, 250 mm to right. The vent within the case must discharge to a safe visible position as, under certain conditions, the vent may discharge cold or boiling water, and/or steam.

Electrical

To be connected in accordance with the current South African wiring regulations. The 2.5 to 25 litre models to be connected to a 15 Amp GPO, 220-240V . 50Hz power supply within 1500mm of the system. The 50 liter model must be connected to a 380Volt, 3 phases. 50 Hz electrical connection with a separate isolator. The switch must provide all –poles disconnection with contact separation of at least 3mm. For concealed electrical connections, connect cable from the rear directly to internal terminal block.

Plumbing

To be installed by a qualified plumber in accordance with manufacturer's instructions and South African plumbing regulations. Designed for direct connection to a potable cold water supply with minimum pressure of 70 kPa; maximum 600 kPa (see page 42). If static pressure exceeds 600 kPa, a pressure reducing valve must be fitted. An isolating valve should be installed between the water supply and the system.

Maintenance in hard-water areas

In areas where hard water may occur, such as in the eastern and southern coastal regions of South Africa, the product lifespan could be reduced due to build-up of scale. Regular de-scaling should be carried out by a Zip service provider every 6 to 12 months depending on the severity of the conditions. Contact the Franke call centre at 031 001 5000 for assistance.

CHILL TAP

Instant Chilled Drinking Water
(Optional Filtration Kit)



*Font Kit assembly sold separately

ChillTap (Undercounter Units)

| PRODUCT CODE | DESCRIPTION | DIMENSIONS WxDxH | CHILLED GLASS |
|--------------|-------------|------------------|---------------|
| 2610027 | ChillTap * | 353 x 253 x 377 | 42L |

* Includes Carafe Spout

Specification

ZIP ChillTap Undercounter instant chilled water unit. Unit to be supplied with tap and spout and installed in accordance with manufacturer's installation instruction manual.

Description

- Under-counter water chiller.
- Chrome plated brass tap with quarter turn action lever and 360° swivel spout.
- Up to 210 glasses of chilled water per hour.
- Chilled water temperature is maintained between 5-10°C.
- Cost effective alternative to bottled water.
- Vented system to ensure system is never compromised due to surges in water pressure.
- Air cooled condenser with a compressor rated at up to 0.25hp.

Features

- Instant chilled drinking water at your fingertips.
- Cost effective solution to buying and storing bottled water.
- Delivers refreshingly chilled water between 5°C and 10°C. Chiller system stored out-of-sight under the bench top.

Optional filtration UNIVERSAL IN-LINE FILTER KIT

| PRODUCT CODE | DESCRIPTION |
|--------------|--|
| 2330727 | Universal Pre-Filter Kit (Excludes Filter) |
| 2330728 | Pre-Filter Filter |
| 2330704 | Universal In-Line Filter Kit (Excludes Filter) |
| 1330195 | 4DC (Filter Only) 1,350 litres |
| 2330493 | MH ² (Filter Only) 34,068 litres |

ChillTap Installation

Plumbing

To be installed by a qualified plumber in accordance with manufacturer's instructions and South African plumbing regulations. Water connections 15mm BSP. Designed for direct connection to a potable cold water supply with a minimum pressure of 70kPa, pressure reducing valve to be set at 600kPa maximum. An isolating valve should be installed between the water supply and the operational unit. (See page 42)

Electrical

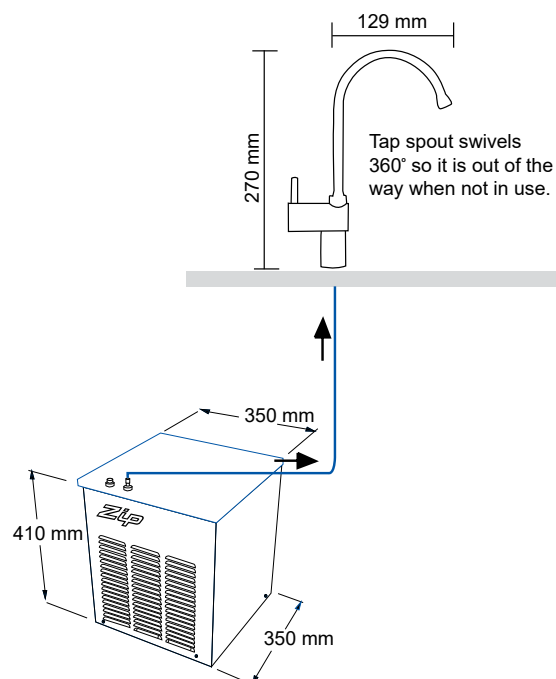
To be connected to a 15amp GPO, 220V-240V AC power supply and in accordance with South African wiring regulations.

Location and Ventilation

The tap should be positioned to the left and rear of a sink, and should be mounted on a flat surface. The tap should be mounted at 45 degrees to the edge of the sink so it drains into the sink when running. The under-sink chiller should be located as closely as possible to and directly under the tap. The under-sink chiller must be installed with clearances of 50mm left, right, rear and above. Optional Filter should be mounted where readily accessible on the chiller or on the adjacent cupboard wall. The cupboard containing the undersink unit must be amply ventilated, cupboard doors must be offset 4mm all round for ventilation if required.

Maintenance in hard-water areas

In areas where hard water may occur, such as in the eastern and southern coastal regions of South Africa, the product lifespan could be reduced due to build-up of scale. Regular de-scaling should be carried out by a Zip service provider every 6 to 12 months depending on the severity of the conditions. Contact the Franke call centre at 031 001 5000 for assistance.



Zip Chillmaster & Economaster

Plumbed, Chilled Drinking Water Instantly

Whether it be a gym, canteen or factory, the range of chillers and water fountains by Zip are the only option in chilled, filtered** water for staff or public access.

Features

- For commercial use.
- The effective way to put chilled filtered** water on tap for staff or public access.
- Delivers hygienic water at a rate of 42 litres per hour at less than 11°C
- Plumbed directly to the cold water connection and to waste.
- Water dispersed by bubbler and carafe spout.
- Heavy duty, easy to-clean Stainless Steel bowl and Stainless Steel case (Chillmaster) or White Epoxy Coated (Economaster).
- Filter change reminder lights signals when filter cartridge replacement is due Chillmaster with filter only).
- Filter cartridges are as quick, simple and hygienic to change as a light bulb (Chillmaster with filter only).

Specification

- ZIP Chillmaster Stainless Steel (42L Capacity):

ZIP Chillmaster manufactured from grade 304 Stainless Steel top and outer case and supplied complete with a bubbler and carafe spout. Unit to be installed in accordance with manufacturer's installation instruction manual.

- ZIP Economaster White Epoxy Coated Chiller (42L Capacity):

ZIP Economaster top is manufactured in stainless steel and the outer case from Epoxy Powder-Coated Mild Steel, supplied complete with a bubbler and carafe spout. Unit to be installed in accordance with manufacturer's installation instruction manual.



Description

- Upright water chiller plumbed directly to the cold water connection with lever-action carafe filler and bubbler.
- Storage output capacity: rated at 210 glasses per hour at less than 11°C.
- Rating: 0.3kW.
- Fan cooled condenser with a compressor rated at 0.25HP.
- Carafe filler - chrome plated brass lever action tap with swivel head.
- Bubbler - push action.
- Chillmaster - brushed finish Stainless Steel outer case with front access panel.
- Economaster - White Epoxy Coated outer case with front access panel.
- Filtration type: triple-action fully encapsulated, carbon activated filter (Chillmaster with filter only).
- Compressor: Hermetically sealed reciprocating type rated at 0.25HP, 220V, AC 50Hz Single phase.
- Condenser: Fan cooled copper and aluminium finned type.
- Evaporator: Sealed copper tank. Storage capacity 1.8 litres cooled by a copper coil inside.
- Refrigerant control: Capillary tube control. No moving parts.
- Refrigerant: Refrigerant type R134a.
- Temperature control: Enclosed preset thermostat. Easy accessibility by removing front panel.
- Electrical connections: Insulated power cable, 2m long, with three prong 15amp moulded plug.
- Top: Satin finish 304 Stainless Steel top.
- Base: 1,2mm Heavy gauge galvanised steel.

Zip Chillmaster & Economaster

CHILLERS

| PRODUCT CODE | DESCRIPTION | FINISH | DIMENSIONS WxDxH (mm) | CAPACITY/HOUR |
|--------------|-----------------------------|--------------------|-----------------------|---------------|
| 2610026 | Chillmaster** (with filter) | Stainless Steel | 346 x 346 x 905 | 42L |
| 2610025 | Chillmaster (no filter) | Stainless Steel | 346 x 346 x 905 | 42L |
| 2610028 | Economaster | White Epoxy Coated | 346 x 346 x 905 | 42L |

**Includes factory fitted triple action water conditioning filtration system

Spares

| PRODUCT CODE | DESCRIPTION |
|--------------|---|
| 2330288 | Replacement Filter Cartridge (ZIP49008) |

Optional filtration UNIVERSAL IN-LINE FILTER KIT

| PRODUCT CODE | DESCRIPTION |
|--------------|--|
| 2330727 | Universal Pre-Filter Kit (Excludes Filter) |
| 2330728 | Pre-Filter Filter |
| 2330704 | Universal In-Line Filter Kit (Excludes Filter) |
| 1330195 | 4DC (Filter Only) 1,350 litres |
| 2330493 | MH ² (Filter Only) 34,068 litres |

Chillmaster & Economaster Installation

Location

To be positioned where it is easy for users to access. Water, drainage and power should be nearby within length of connections provided. Chiller must be situated on a level surface. To be installed with clearances of 50 mm to the left, right and rear of unit.

Electrical

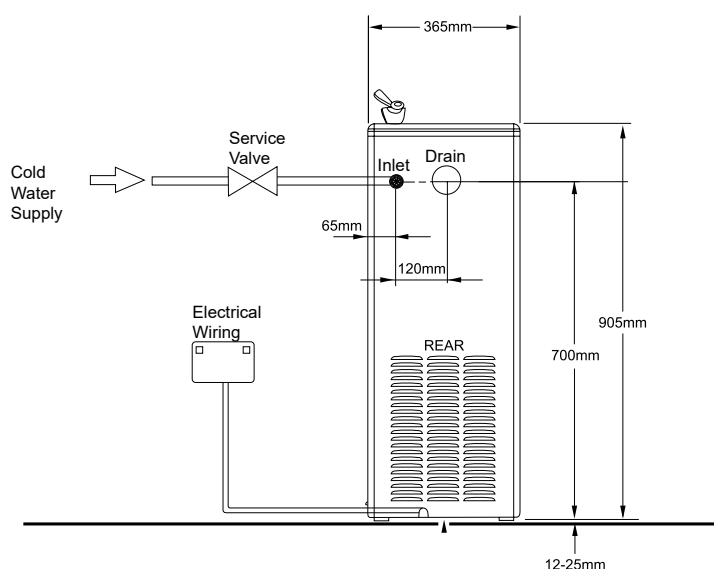
To be connected to a 15 amp GPO, 220V - 240 AC power supply and in accordance with South African wiring regulations.

Plumbing

To be installed by a qualified plumber in accordance with manufacturer's instructions and South African plumbing regulations. Water connections 15 mm BSP. Designed for direct connection to a potable cold water supply with minimum pressure of 70 kPa; maximum 600kPa. If static pressure exceeds 600kPa, a pressure reducing valve must be fitted.

Maintenance in hard-water areas

In areas where hard water may occur, such as in the eastern and southern coastal regions of South Africa, the product lifespan could be reduced due to build-up of scale. Regular de-scaling should be carried out by a Zip service provider every 6 to 12 months depending on the severity of the conditions. Contact the Franke call centre at 031 001 5000 for assistance.





Important Safety Notice

Please read carefully. Call the Franke call centre at 031 001 5000 if in doubt or if you need assistance.

Your Zip is designed to produce boiling water. Remember that boiling water is dangerous so follow the important instructions in these guidelines to avoid accidents.

Use a competent plumber to install your ZIP product

In terms of Government notice No.R.1875 of 31 August 1979, no person shall perform the trade of plumbing unless he is a trained plumber or works under the adequate control of a trained plumber or approved competent person.

Where to find a competent plumber

The Plumbing Industry Registration Board (PIRB) controls plumbing practices and registered plumbers can be found on their website www.pirb.co.za.

Maintenance in hard-water areas

In areas where hard water may occur, such as in the eastern and southern coastal regions of South Africa, the product lifespan could be reduced due to build-up of scale. Regular de-scaling should be carried out by a Zip service provider every 6 to 12 months depending on the severity of the conditions. Contact the Franke call centre at 031 001 5000 for assistance.

NOTE: If water is not of a potable quality the warranty may be void.

Operating your ZIP

Every Zip product is supplied with a user manual which contains instructions for the installation of the Zip Product, its use and maintenance, as well as warnings relating to the risk of injury or damage that could arise from its use. The installation must be carried out in accordance with the instruction manual. The user manuals can also be downloaded from the Zip website www.zipsa.co.za.

Product Warranty and the Consumer Protection Act

Franke South Africa warrants the product to be of good quality, in good working order and free from all defects for a period of 1 year from the date of delivery within the regions of South Africa, Namibia and Botswana. Franke's liability in terms of the warranty is limited to either repairing or replacing the damaged or defective Zip product. This warranty is given in addition to any warranty that may apply in terms of the Consumer Protection Act, 2000.

Standard Terms and Conditions

Details of the standard conditions of sale that apply to the sale of all Zip products in South Africa, Namibia and Botswana, unless otherwise agreed by Franke South Africa can be obtained from the Zip website www.zipsa.co.za.



ZIP | PURE TASTING | INSTANT | BOILING | CHILLED | SPARKLING

THE WORLD'S MOST ADVANCED DRINKING WATER APPLIANCES

Zip products are exclusively manufactured by
Franke South Africa
Tel: 031 001 5000
International callers dial (+27 31) 450 6470
Website: www.zipsa.co.za

CALL CENTRE

TEL:
031 001 5000

Email:
HS-enquiry-fsa.za@franke.com

DURBAN FACTORY

1194 South Coast Road,
Mobeni, Durban, 4092.
P.O. Box 72395, Mobeni,
Durban, 4060
South Africa.
TEL: (+27-31) 450 6300

GAUTENG SALES OFFICE

82 Morkels Close,
Unit B, Capital Hill,
Halfway House, Midrand,
Johannesburg, 1685
South Africa

CAPE TOWN SALES OFFICE

Unit 1, 10 Gold Street,
Northgate Business Park,
Northgate Estate,
Cape Town, 7405
South Africa.

DISCLAIMER

The information and dates supplied in this brochure are based on the information believed to be reliable, however are not binding and inaccuracies may occur. Franke reserves the right to change specification and design at any time without notice. Should we discontinue a product, Franke South Africa can not be held liable for any costs incurred.

© 2022 by Franke South Africa. All rights reserved under the Copyright Act of 1987 with the amendments. Reproduction of any of the content, full or partial, is allowed only with prior written approval of Franke South Africa. No reasonable requests will be refused provided the conditions as laid out are met

Terms & Conditions Apply

(These terms and conditions may be viewed on www.zipsa.co.za)