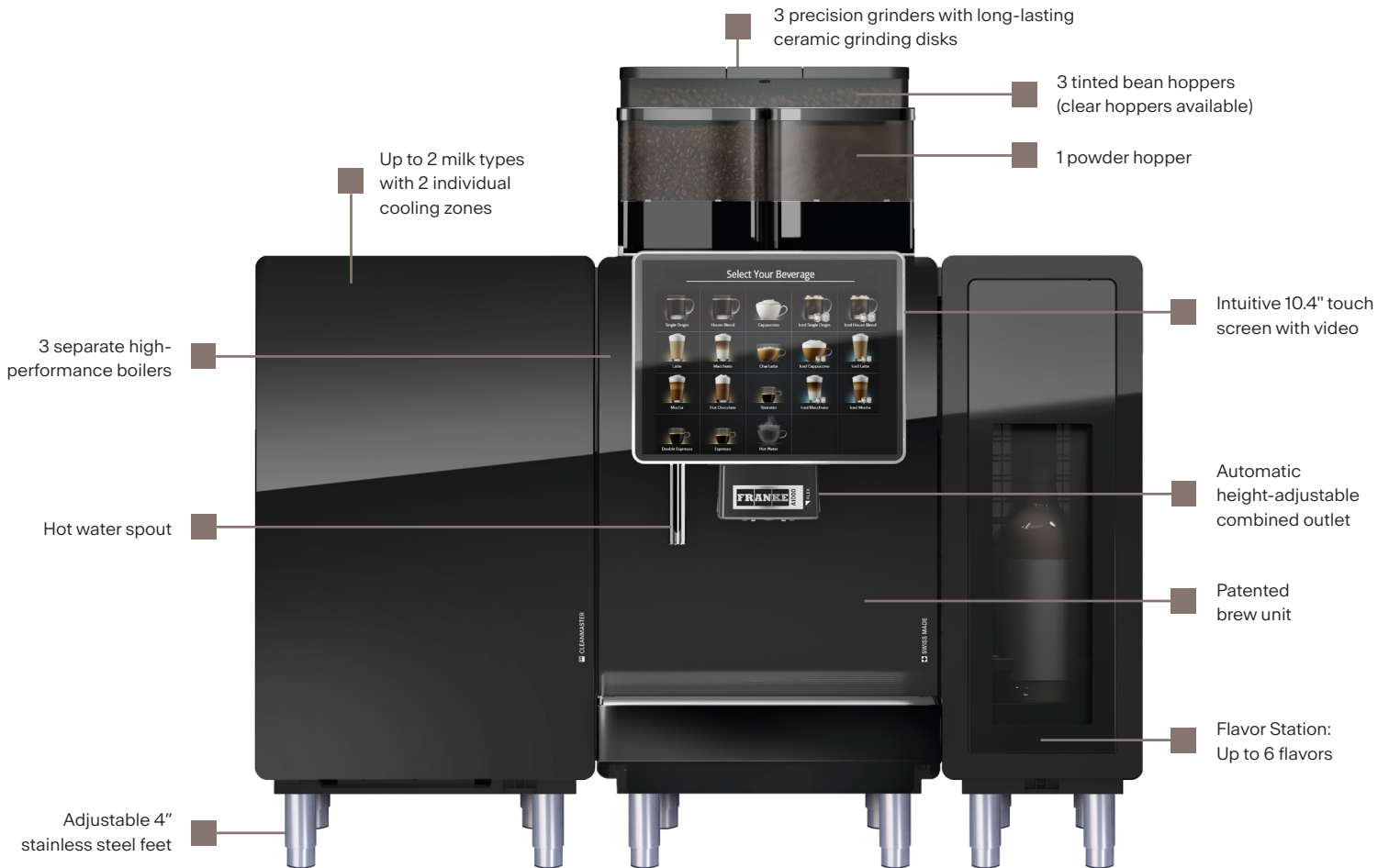




A1000 FLEX



You no longer need to choose! The A1000 FLEX combines the best of both worlds with espresso-based beverages and freshly-brewed coffee in one machine. With integrated features such as the FoamMaster™ milk system for perfectly foamed or steamed milk and our patented iQFlow™ technology that delivers superior coffee extraction, creating the perfect beverage is at your fingertips. The flavor station has 6 different flavors to customize your drink. The 10.4" intuitive and configurable touch screen with video makes the A1000 FLEX a state-of-the-art coffee machine that can always be relied on. Easy to maintain with the CleanMaster™ automatic milk cleaning system. Simply follow the prompts on the display to activate the cleaning process.

UNIT	CUPS PER DAY
A1000 FLEX	Up to 300



iQFlow™

Groundbreaking technology that extracts more flavor for unrivaled in-cup-quality.



FoamMaster™
For perfect foam, every time.



Franke Digital Services
A clear view of commercial and operational performance.

Coffee and espresso beverages in one machine.



Franke Digital Services
A clear view of commercial and operational performance.

1 1000 FLEX Features

- One pre-set espresso bean hopper & grinder: 2.6 lbs., lockable (position: rear left)
- One pre-set coffee bean hopper (House Blend) & grinder: 2.6 lbs., lockable (position: rear right)
- One pre-set coffee bean hopper (Single-Origin) & grinder: 1.3 lbs., lockable (position: front left)
- One chocolate powder dosing system: approx. 2.6 lbs., lockable (position: front right)
- Cup sensor
- iQFlow™
- Automatic height-adjusting dispensing outlet

Optional Features:

- Coffee grounds chute

Special Order:

- Autosteam Pro (S3) steam wand (automatic milk foaming)

2 Milk and Cleaning Systems

- FoamMaster™ (FM): hot and cold milk and milk foam, individually adjustable consistency, integrated cleaning system
- CleanMaster (CM): fully automatic cleaning system with integrated cleaning cartridge and integrated cleaning tank
- For outstanding hygiene and unbeatable simplicity, efficiency, and convenience.

Milk Capacity:

- 2 x 1 gallon

3 Flavor Station

- Automatic dosing station for up to six flavors

Flexibility

Our product portfolio allows various assembly options — tailored to your needs.



Franke Kaffeemaschinen AG
cs-info.ch@franke.com

Franke Coffee Systems GmbH
cs-info.de@franke.com

Franke Coffee Systems Americas
cs-coffeesales.us@franke.com

Franke Coffee Systems UK
sales@frankecoffeesystems.co.uk

us.coffee.franke.com

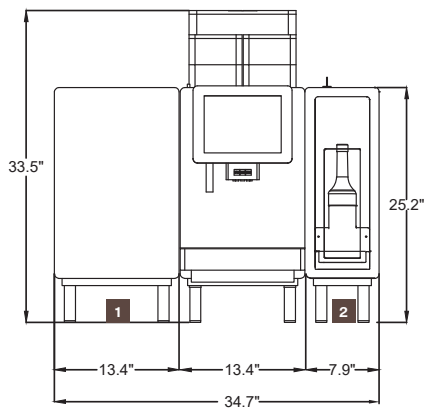
Technical Data

Machine models

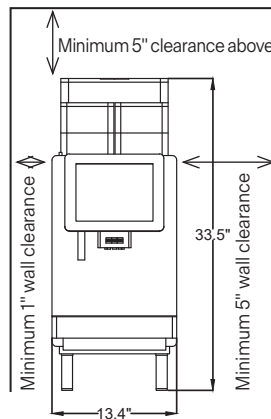
Model	Specification
A1000 FLEX	
Electrical Connection	208V (30A)
Dimensions	13.4"W x 33.5"H in x 23.6"D
Weight (empty)	220 lbs (FM CM incl. SU12 CM)



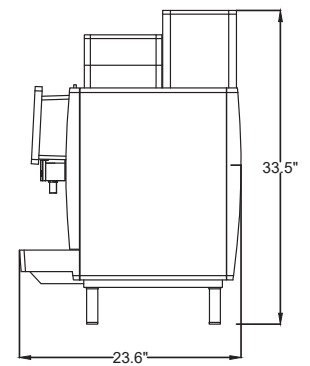
Standard Configuration - Front Profile



Front Profile and Clearances*



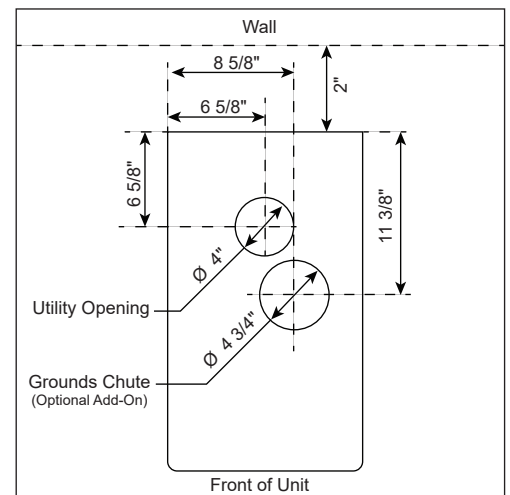
Side Profile



Water quality requirements

Aroma	Fresh and pure taste, with no perceptible aroma
Color	Clear
Total Hardness	70 – 140 ppm (mg/l) 4 – 8 gpg
Carbonate hardness	3 – 6° dH CH (carbonate hardness) 50 – 105 ppm (mg/l)
Acid content/ph value	6.5 – 7.5 pH
Chlorine content	< 0.5 mg/l
Chloride content	< 30 mg/l
TDS (Total dissolved solids)	30 – 150 ppm (mg/l)
Electrical conductivity	50 – 200 µS/cm (microsiemens)
Iron Content	< 0.3 mg/l
Water pressure	80 – 800 kPa (0.8 – 8 bar)
Flow rate	> 0.1l/sec
Water temperature	< 25°C

Utility and Grounds Chute Openings



Water connection and drain

Water connection	3/8" compression fitting, L = 59"
Drain hose	2x Dia = 0.75", L = 78.7"

*Clearance applies when milk and flavor systems are mounted under the counter.

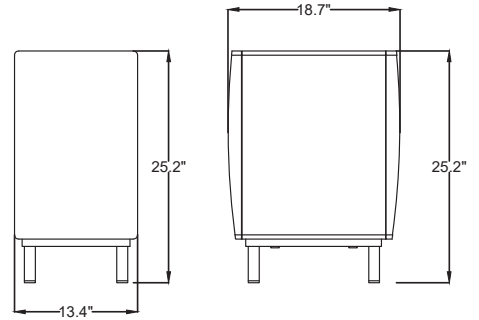
Add-on units

1 Refrigeration unit

SU12 CM (12l) (2 Gallon Milk)	
Electrical connection	120V (15A)
Dimensions	13.4"W x 25.3"H x 18.7"D
Weight (empty)	Approx. 57 lbs
Color	Black



5-15R

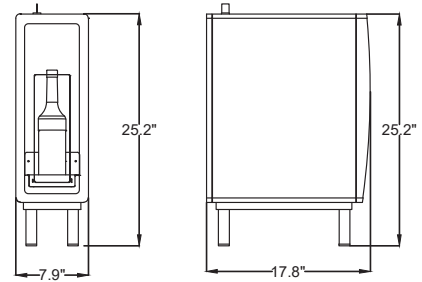


2 Flavor station


FS6	
Electrical connection	120V (15A)
Dimensions	7.9"W X 25.2"H X 17.8"D
Weight (empty)	Approx. 48 lbs
Color	Black



5-15R



Digital services connectivity requirements

OPTION 1		OPTION 2	OPTION 3																										
Ethernet/LAN <i>Recommended Option</i>		Additional costs may apply	Limitations may apply																										
 <p>Internet connection provided to machine over LAN/Ethernet Cable</p>	<table border="1"> <thead> <tr> <th colspan="2">Connectivity Requirements Ethernet/LAN</th> </tr> </thead> <tbody> <tr> <td>MQTT</td> <td>Port 8883</td> </tr> <tr> <td>NTP</td> <td>Port 123</td> </tr> <tr> <td>HTTPS</td> <td>Port 443</td> </tr> <tr> <td>MQTT Websockets</td> <td>Port 443/ Port 444</td> </tr> </tbody> </table>	Connectivity Requirements Ethernet/LAN		MQTT	Port 8883	NTP	Port 123	HTTPS	Port 443	MQTT Websockets	Port 443/ Port 444	<table border="1"> <thead> <tr> <th colspan="2">Franke Connection KIT Cellular/ WiFi (Modem)</th> </tr> </thead> <tbody> <tr> <td colspan="2">Mobile: Private APN (Roaming partner) 4G</td> </tr> <tr> <td colspan="2">2 x LAN ports to connect</td> </tr> <tr> <td colspan="2">Modem connects up to 2 machines</td> </tr> <tr> <td colspan="2">Wifi capability upon request</td> </tr> </tbody> </table>	Franke Connection KIT Cellular/ WiFi (Modem)		Mobile: Private APN (Roaming partner) 4G		2 x LAN ports to connect		Modem connects up to 2 machines		Wifi capability upon request		<table border="1"> <thead> <tr> <th colspan="2">3rd Party Cellular Modem/ WiFi</th> </tr> </thead> <tbody> <tr> <td colspan="2">Mobile: Cellular or WiFi connection</td> </tr> <tr> <td colspan="2">Customer provides modem</td> </tr> </tbody> </table>	3rd Party Cellular Modem/ WiFi		Mobile: Cellular or WiFi connection		Customer provides modem	
	Connectivity Requirements Ethernet/LAN																												
	MQTT	Port 8883																											
	NTP	Port 123																											
HTTPS	Port 443																												
MQTT Websockets	Port 443/ Port 444																												
Franke Connection KIT Cellular/ WiFi (Modem)																													
Mobile: Private APN (Roaming partner) 4G																													
2 x LAN ports to connect																													
Modem connects up to 2 machines																													
Wifi capability upon request																													
3rd Party Cellular Modem/ WiFi																													
Mobile: Cellular or WiFi connection																													
Customer provides modem																													

Customer is responsible for all connectivity.



ELT LISTED CONFORMS TO
UL STD 197 CERTIFIED TO
CSA STD C22.2
NO 1093 | 123505



CONFORMS TO
NSF STD 4