

*required manoeuvring space
front, rear and side

Technical data:

- weight: Netto 43 kg
- Ultimate load: Max. 150 kg
- Rollers: 4 Swivelcastors, lockable,
Running surface thermoplastic rubber
- Body and Doors: Powder-coated sheet steel,
Colour RAL 9005 fine struktur matt black
Doors lockable (Same locking system)
Front door with recessed handle
- Cover plates: variabel (see pages 5 and 6)
Powder-coated sheet steel,
Colour RAL 9005 fine struktur matt black
- Optional modules: Storage shelf, waste container, cup dispenser
Variability see side 3
Powder-coated sheet steel,
Colour RAL 9005 fine struktur matt black

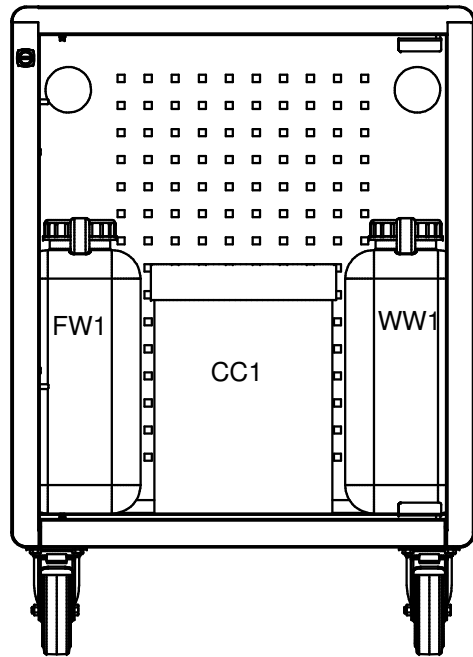
Basic Module

Intended for indoor use with flat floors.

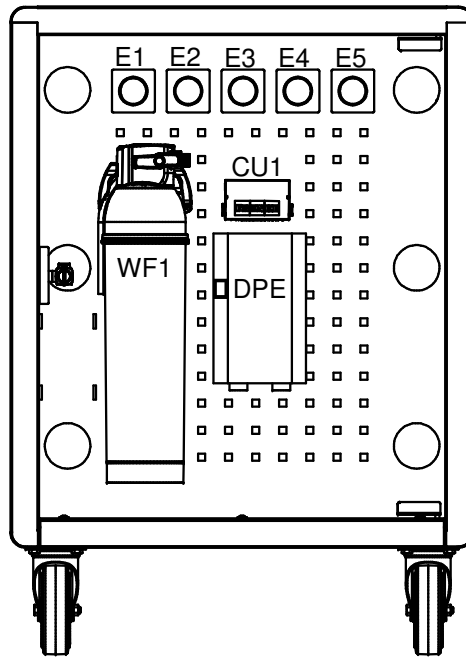
- Excluded in combination with:
- Twin systems
 - SB1200 with UT40
 - UC09, UT05, UT12

Franke Kaffeemaschinen AG Franke-Strasse 9 CH-4663 Aarburg Telefon: +41 62 787 3607 E-Mail: kmch@franke.com Internet: www.franke.com	Unit		Scale	Description				
	mm		NTS	TD_Coffee_Cart_KW_en				
	Drawn	MB002	05.05.2022					
	Modified	MB002	05.05.2022					
Checked								
ECN	500000001512	Document ID - Version		Revision	Status	Sheet / Sheets	Format	
Article Number		20235621-01			15	1 / 6	A3	

Operating side
(Front view,
door hidden)



Service side
(Rear view,
door hidden)



Installation instructions:

Power supply:

E1 to E5: Depending on the installation combination, up to 5 electrical connections required. On site, separate sockets with FI (residual current device) required. The power supply must be clarified on site, the representation is only symbolic! Necessary preparation-works must be performed by qualified specialists in accordance with applicable regulations.

Water supply:

- Water temperatur <25°C
- Water hardness: 4-8°dH; 7-14fH; 70-140ppm (mg/l)
- Carbon hardness: 3-6°dH; 50-105ppm (mg/l)
- pH-value: 6,5-7,5
- Chlorine content: <0,5mg/l
- Chloride content: <30mg/l
- Elektrical conductivity: 50-200µs/cm
- Iron content: <0,3mg/l

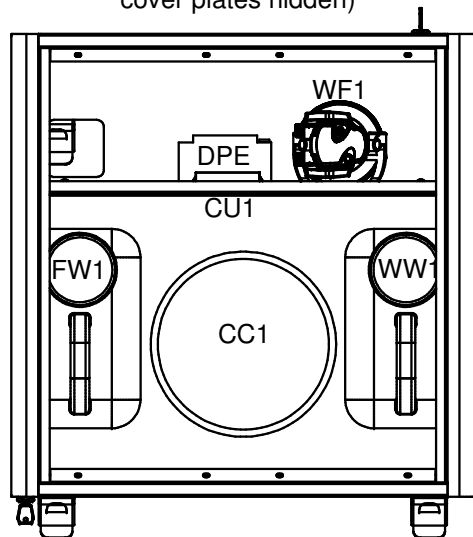
Options:

- WW1*: Waste water tank 16 Liter with level monitoring
Connection to the drain hose of the drip tray of the coffee machine.
- FW1*: Fresh water tank 16 Liter with level monitoring
Connection to the inlet hose to the water filter water filter
- WF1: Connection to the pump suction hose
- DPE*: Diaphragm pump external - Booster pump with mains adapter 24V / 230 V
connection to the water supply hose from the water connection of the coffee machine
- CU1*: Control Unit for diaphragm pump external
*in scope of delivery of tank set with pump

Provide on site:

- CC1: Container for coffee-grounds ejection (Option)

Work space
(Top view,
cover plates hidden)



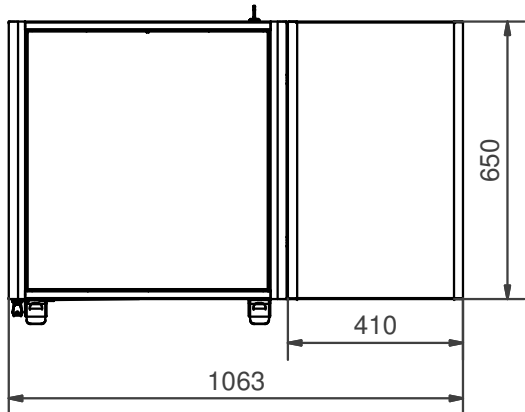
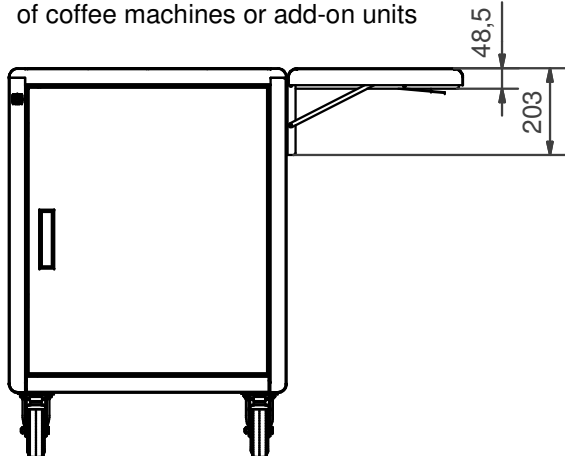
Installations

Franke Kaffeemaschinen AG Franke-Strasse 9 CH-4663 Aarburg Telefon: +41 62 787 3607 E-Mail: kmch@franke.com Internet: www.franke.com	Unit		Scale	Description				
	mm		NTS	TD_Coffee_Cart_KW_en				
	Drawn	MB002	05.05.2022					
	Modified	MB002	05.05.2022					
Checked								
ECN	500000001512	Document ID - Version		Revision	Status	Sheet / Sheets	Format	
Article Number		20235621-01			15	2 / 6	A3	

These drawings and specifications are the property of Franke Technology and Trademark Ltd. and shall not be reproduced, copied or transferred to any third party without the prior written permission of Franke Technology and Trademark Ltd., Heggen, Switzerland

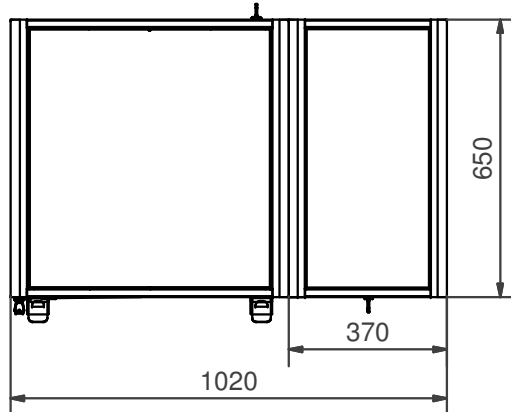
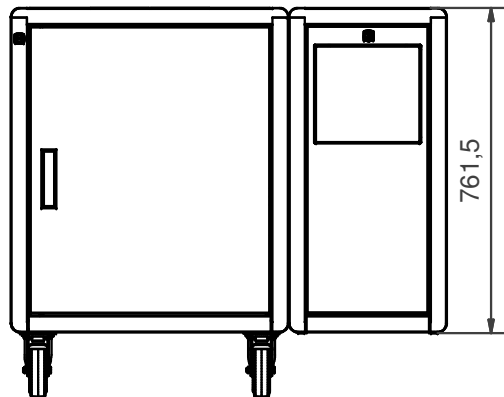
Module storage shelf

- Mat.-No. 560.0664.920
- Weight 6 kg
- Ultimate load max. 30 kg
- Position left or right side
- Foldable
- Not approved for the installation of coffee machines or add-on units



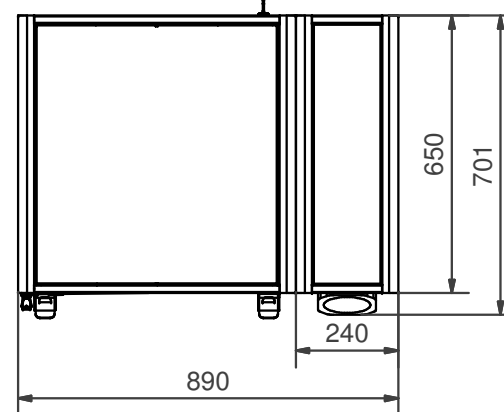
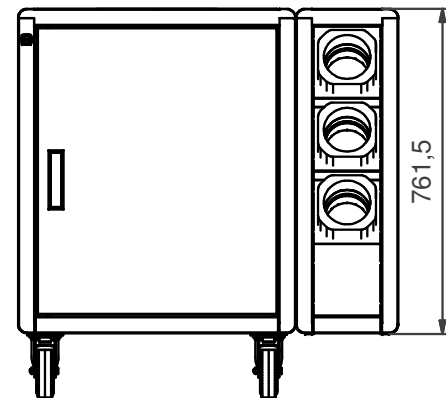
Module waste container

- Mat.-No. 560.0664.943
- Weight 25 kg
- Ultimate load max. 30 kg
- Position left or right side
- Integrated container 27 l (Mat.-No. 560.0664.943)
- Door lockable



Module cup dispenser

- Mat.-No. 560.0664.942
- Weight 21 kg
- Ultimate load max. 25 kg
- Position left or right side
- 3 adjustable cup dispenser (Cups 0,2 to 1,0 l)



Optional modules

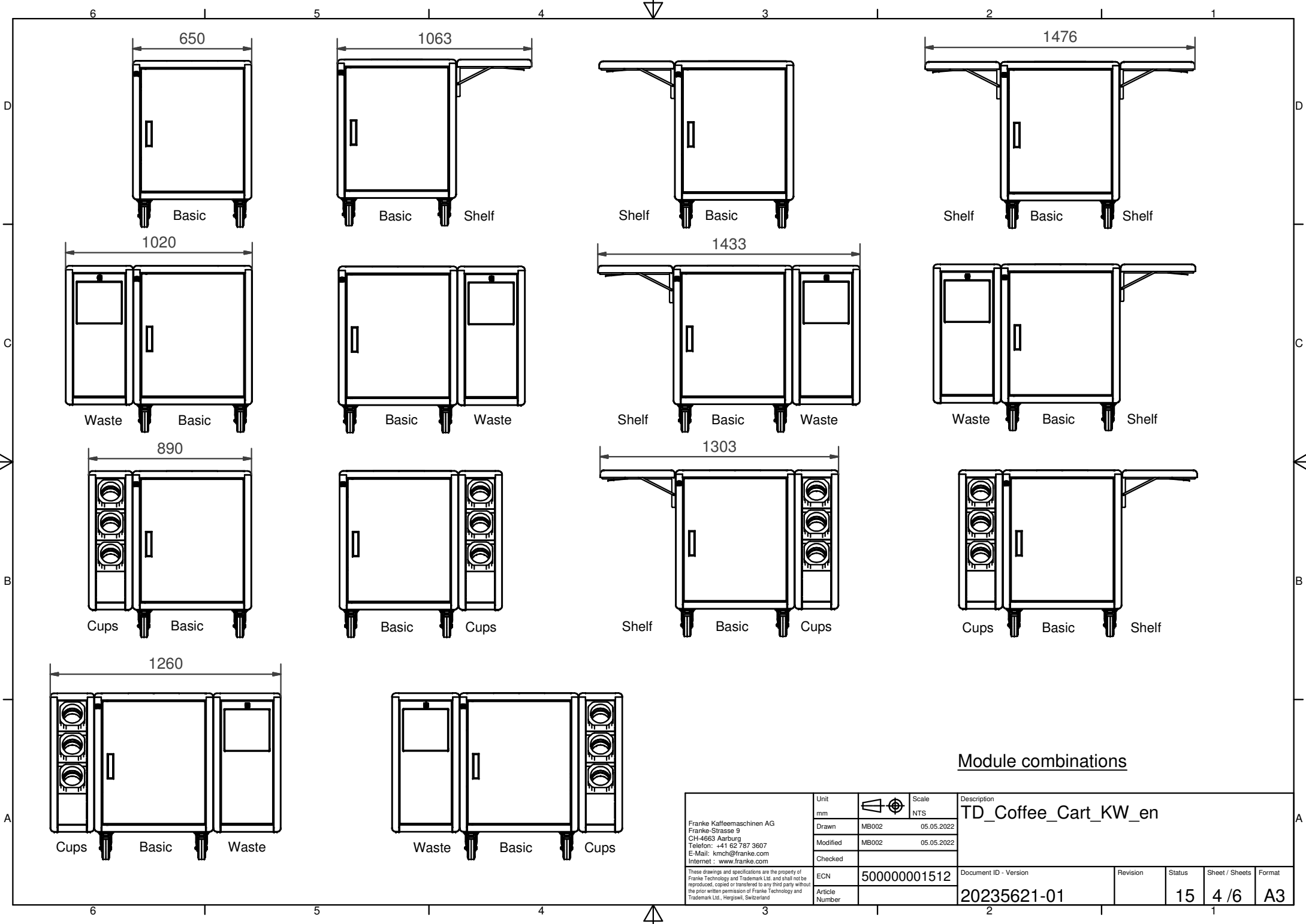
- Only alternative
- Max. 1 module each left and right side
- Material sheet steel, powder-coated
- Colour RAL: 9005 Fine structure matt black
- Possible combinations see page 4

Installation instructions:

Place the modules on the floor in the assembly sequence next to each other with the back sides. Use the supplied packaging boxes as a base. Screw modules to base body. Lock all castors before putting them on. 2 persons required for installation!

Optional modules

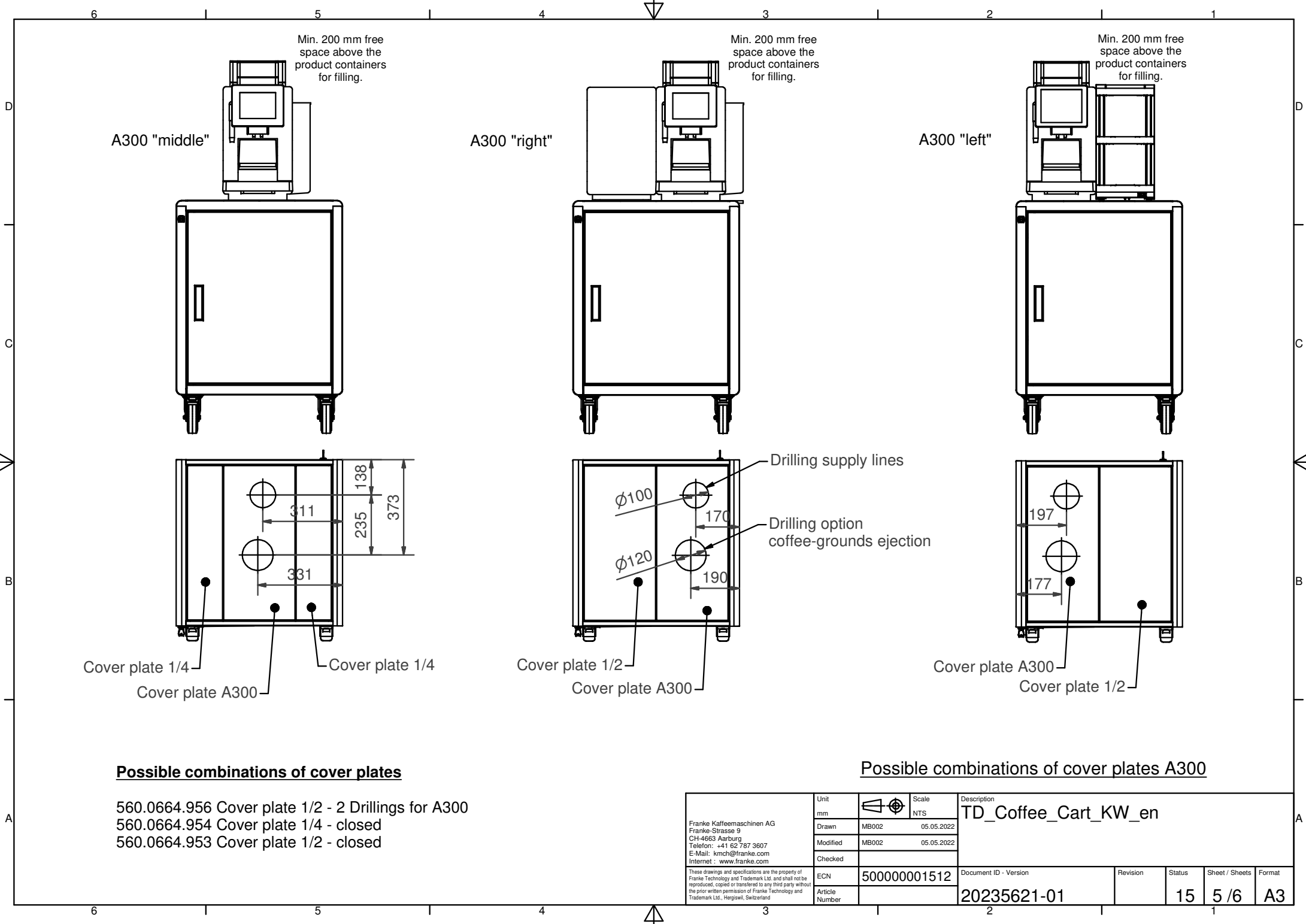
Franke Kaffeemaschinen AG Franke-Strasse 9 CH-4663 Aarburg Telefon: +41 62 787 3607 E-Mail: kmch@franke.com Internet: www.franke.com	Unit		Scale	Description				
	mm		NTS	TD_Coffee_Cart_KW_en				
	Drawn	MB002	05.05.2022					
	Modified	MB002	05.05.2022					
Checked								
ECN	500000001512	Document ID - Version		Revision	Status	Sheet / Sheets	Format	
Article Number		20235621-01			15	3 / 6	A3	



Module combinations

Franke Kaffeemaschinen AG Franke-Strasse 9 CH-4663 Aarburg Telefon: +41 62 787 3607 E-Mail: kmch@franke.com Internet: www.franke.com	Unit		Scale	Description TD_Coffee_Cart_KW_en			
	mm		NTS				
	Drawn	MB002	05.05.2022				
	Modified	MB002	05.05.2022				
Checked							
ECN	500000001512	Document ID - Version		Revision	Status	Sheet / Sheets	Format
Article Number		20235621-01		15	4 / 6	A3	

These drawings and specifications are the property of Franke Technology and Trademark Ltd. and shall not be reproduced, copied or transferred to any third party without the prior written permission of Franke Technology and Trademark Ltd., Heggen, Switzerland



Min. 200 mm free space above the product containers for filling.

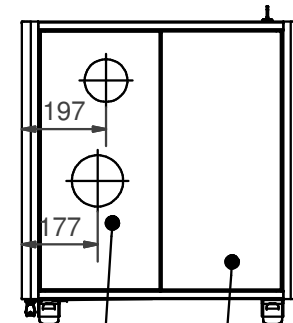
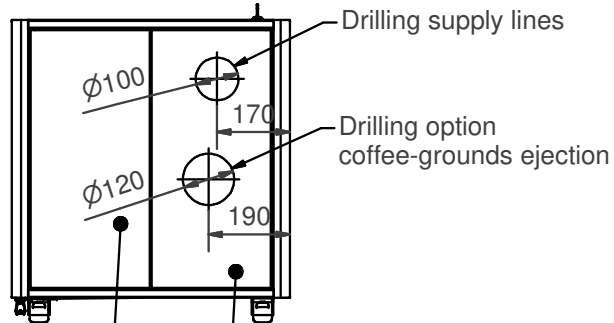
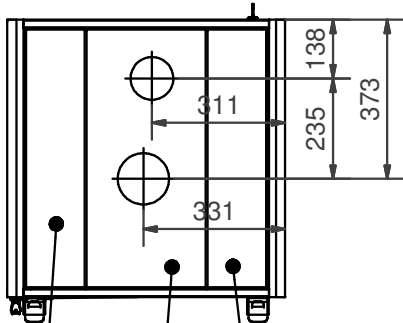
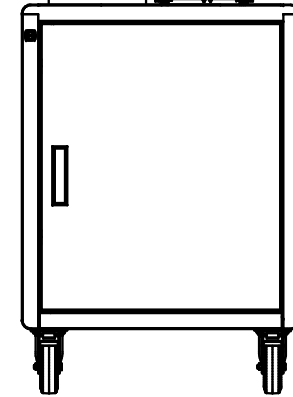
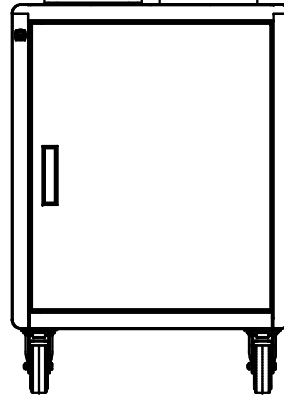
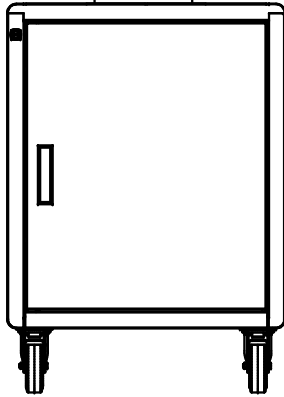
Min. 200 mm free space above the product containers for filling.

Min. 200 mm free space above the product containers for filling.

A300 "middle"

A300 "right"

A300 "left"



Cover plate 1/4
Cover plate A300
Cover plate 1/4

Cover plate 1/2
Cover plate A300

Cover plate A300
Cover plate 1/2

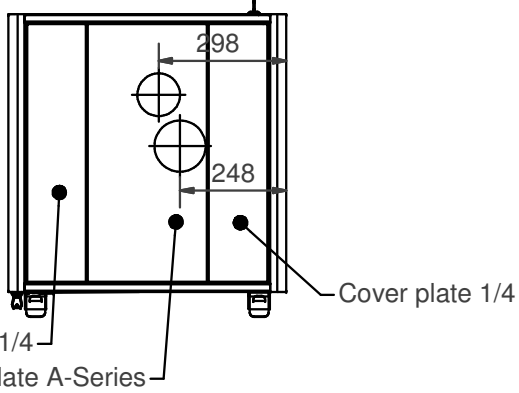
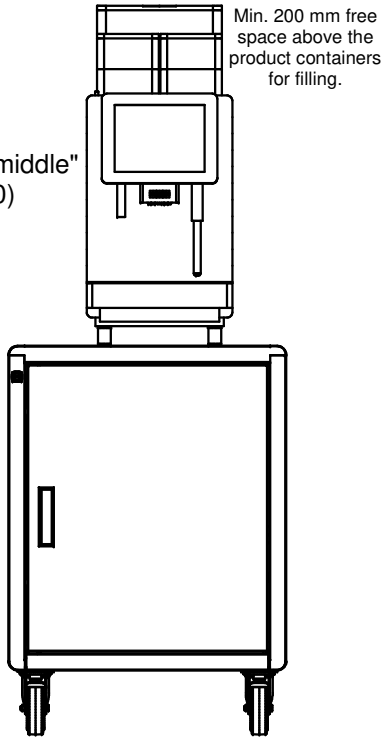
Possible combinations of cover plates

- 560.0664.956 Cover plate 1/2 - 2 Drillings for A300
- 560.0664.954 Cover plate 1/4 - closed
- 560.0664.953 Cover plate 1/2 - closed

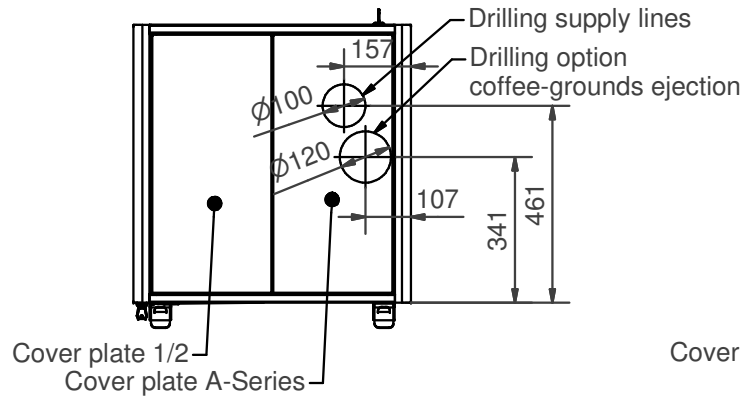
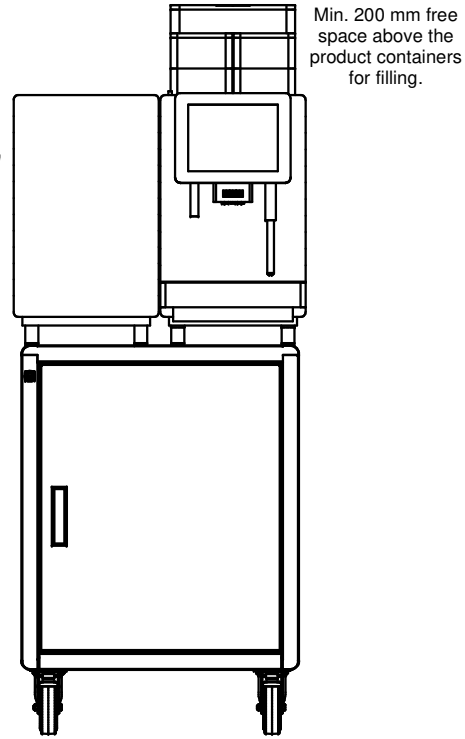
Possible combinations of cover plates A300

Franke Kaffeemaschinen AG Franke-Strasse 9 CH-4663 Aarburg Telefon: +41 62 787 3607 E-Mail: kmch@franke.com Internet: www.franke.com	Unit		Scale	Description				
	mm		NTS	TD_Coffee_Cart_KW_en				
	Drawn	MB002	05.05.2022					
	Modified	MB002	05.05.2022					
Checked								
ECN	500000001512	Document ID - Version		Revision	Status	Sheet / Sheets	Format	
Article Number		20235621-01			15	5 / 6	A3	

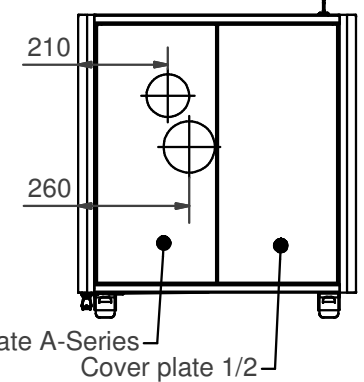
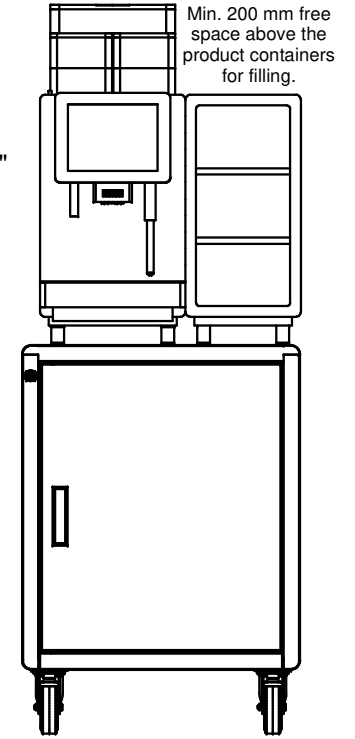
A-Series "middle"
(excl. A300)



A-Series "right"
(excl. A300)



A-Series "left"
(excl. A300)



Possible combinations of cover plates

- 560.0664.955 Cover plate 1/2 - 2 Drillings for A-Series (excluded A300)
- 560.0664.954 Cover plate 1/4 - closed
- 560.0664.953 Cover plate 1/2 - closed

**Possible combinations of cover plates A-Series
(excluded A300)**

Franke Kaffeemaschinen AG Franke-Strasse 9 CH-4663 Aarburg Telefon: +41 62 787 3607 E-Mail: kmch@franke.com Internet: www.franke.com	Unit		Scale	Description				
	mm		NTS	TD_Coffee_Cart_KW_en				
	Drawn	MB002	05.05.2022					
	Modified	MB002	05.05.2022					
Checked								
ECN	500000001512	Document ID - Version		Revision	Status	Sheet / Sheets	Format	
Article Number		20235621-01			15	6 / 6	A3	