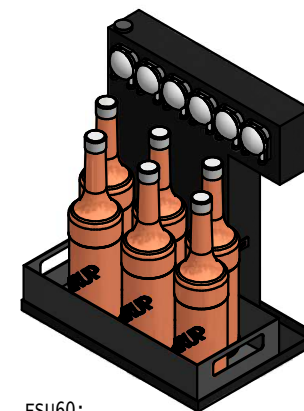


FSU30:
Flavor Station placed under the counter for 3 bottles.
(A600FM EC, A600FM CM, A800FM EC)



FSU60:
Flavor Station placed under the counter for 6 bottles.
(A1000FM CM)

Technical data:

Electrical connection: 220-240 V, 1LNPE, 25 W, 50-60 Hz
 Net weight: max. 17 kg
 Noise emission: < 70 dB (A)

Installation notes on side:

soket with RCD (residual current device) 220-240 v, 1LNPE, 25 W, 50-60 Hz

The flavor station must be placed under the counter under the coffee machine. By positioning the flavor station right under the coffee machine the coffee-grounds ejection is not possible. If the coffee-grounds ejection is desired, it is possible to put the flavor station to the left or to the right. Wall clearance of the rear panel min. 50 mm.

Installation requirements:

Our delivered appliances are ready for operation. They have to be installed on a flat surface. First the preparations for the connections of water and electricity must be complete. Distance max. 1 m up to the device. This preparation-works must be performed by qualified specialists in accordance with applicable regulations. The device is intended exclusively for operation in interior rooms.
 Ambient temperatur: 5°C - 32°C. Humidity: max. 80%.

Franke Kaffeemaschinen AG Franke-Strasse 9 CH-4663 Aarburg Telefon: +41 62 787 3607 E-Mail: kmch@franke.com Internet: www.franke.com	Unit		Scale	Description				
	mm		NTS	TD_FSU30_and_FSU60_en				
	Drawn	MB002	27.08.2019					
	Modified	MB002	27.08.2019					
Checked		01.01.1970						
ECN	500000001512	Document ID - Version		Revision	Status	Sheet / Sheets	Format	
Article Number		20166226-01			15	1 / 1	A3	