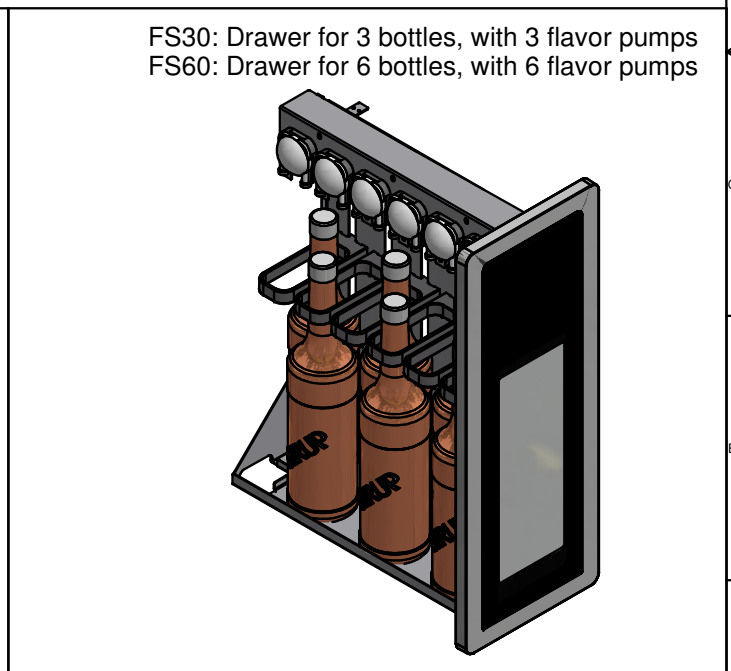
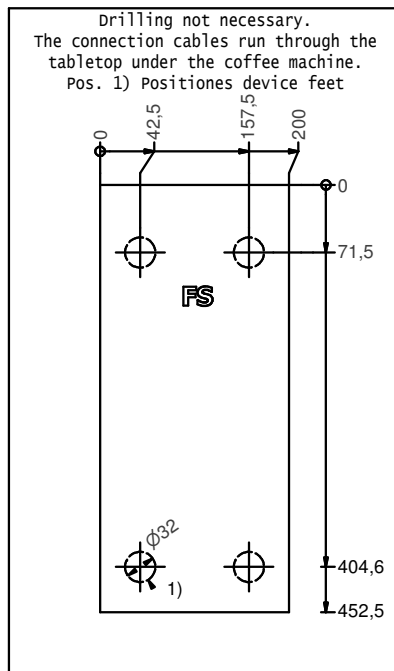
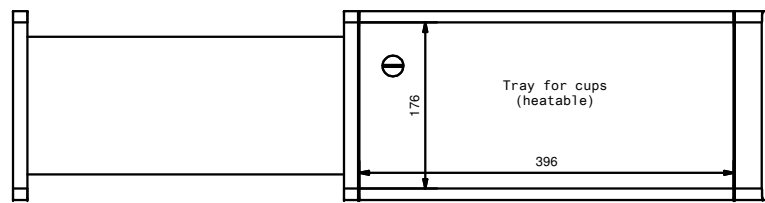


grey line



black line



Devices heights:
with feet 7 mm
Height 579 + 7 = 586

with feet 40 mm (Standard)
Height 579 + 46 = 625

Adjustable feet 70 mm
Height 579 + 71 = 650 (to 660)

Adjustable feet 100 mm
Height 579 + 100 = 679 (to 689)

Technical data:
Electrical connection: 220-240 VAC, 1LNPE, 50-60 Hz - CH/EU/GB
110-127 VAC, 1LNPE, 60 Hz - USA
100 VAC, 1LNPE, 50-60 Hz - JP
220 VAC, 1LNPE, 50 Hz - CN

Net weight: max. 17 kg
Noise emission: < 70 dB (A)

Installation notes on side:
Socket with RCD (residual current device)
220-240 VAC, 1LNPE, 50-60 Hz - CH/EU/GB
127 VAC, 1LNPE, 60 Hz - USA
100 VAC, 1LNPE, 50-60 Hz - JP
220 VAC, 1LNPE, 50 Hz - CN

The flavor station must be installed on the right side next to the coffee machine.
The supply lines are run through the tabletop under the coffee machine.
Wall clearance of the rear panel min. 50 mm.

Installation requirements:
Our delivered appliances are ready for operation. They have to be installed on a flat surface. First the preparations for the connections of water and electricity must be complete. Distance max. 1 m up to the device. This preparation-works must be performed by qualified specialists in accordance with applicable regulations. The device is intended exclusively for operation in interior rooms. Ambient temperatur: 5°C - 32°C. Humidity: max. 80%.

FRANKE		Unit	Scale	Description	
Frankie Kaffeemaschinen AG Frankie-Strasse 9 CH-4963 Aarburg Telefon: +41 (0) 78 797 2607 E-Mail: kmrcht@franke.com Internet: www.franke.com		mm	NTS		TD_FS30_and_FS60_en
Drawn	MB002	01.01.1970			
Modified	MB002	15.09.2018			
Checked		01.01.1970			
ECN	500000001512	Document ID - Version			
Article Number	20128570-01	Revision	Status	Sheet / Sheets	Format
			15	1 / 1	A2