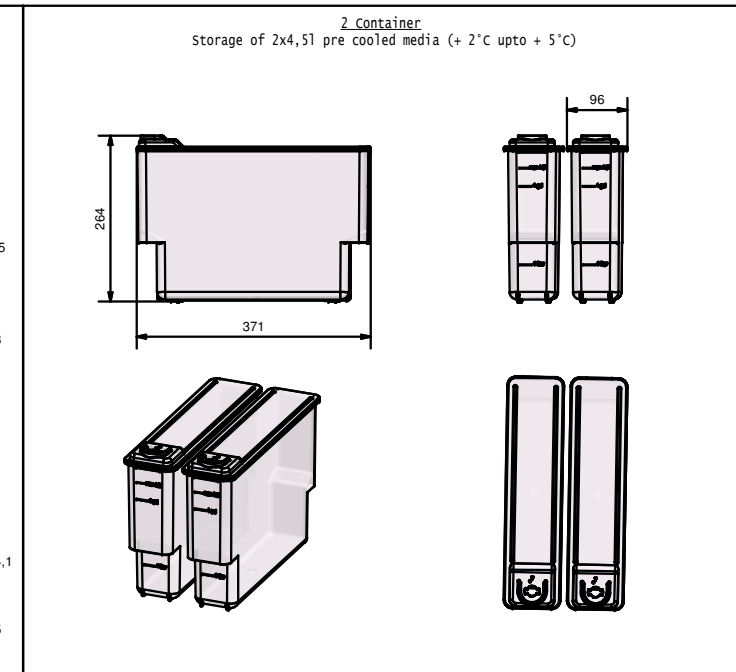
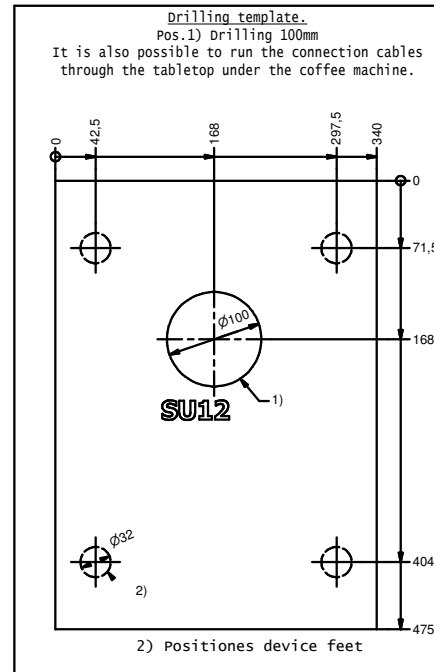
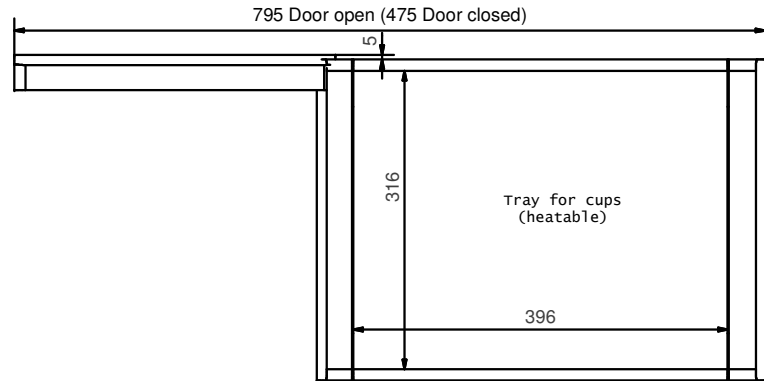
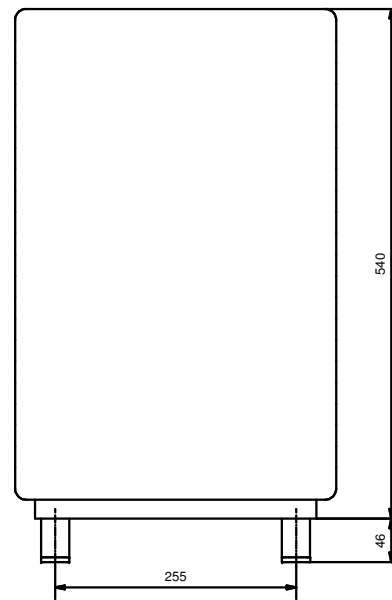


Devices heights:
 with feet 4 mm (Option):
 Height 540 + 4 = 544
 with feet 40 mm (Standard):
 Height 540 + 46 = 586
 Adjustable feet 70 mm (Option):
 Height 540 + 71 = 611 (to 621)
 Adjustable feet 100 mm (Option):
 Height 540 + 100 = 640 (to 650)



Technical data:
 Electrical connection: 220-240 VAC, 1LNPE, 0,70- 0,80 A, 50-60 HZ - EU
 110-127 VAC, 1LNPE, 1,50- 1,70 A, 60 HZ - US
 100 VAC, 1LNPE, 1,70 A, 50-60 HZ - JP
 220 VAC, 1LNPE, 0,80 A, 50 HZ - CN
 Energy loss: 0,563 kw/24h - 230 v (according to DIN 18873-2)
 Temperature range: + 3°C to + 8°C (Milk)
 Net weight: up to max. 26 kg
 Noise emission: < 70 dB (A)
 Refrigerant: R600a - 12 grams

Installation notes on side:
 Soket with RCD (residual current device)
 220-240 VAC, 1LNPE, 0,70- 0,80 A, 50-60 HZ - EU
 110-127 VAC, 1LNPE, 1,50- 1,70 A, 60 HZ - US
 100 VAC, 1LNPE, 1,70 A, 50-60 HZ - JP
 220 VAC, 1LNPE, 0,80 A, 50 HZ - CN
 The cooling unit must be installed on the left or right side next to the coffee machine.
 The supply lines are run through the tabletop under the coffee machine.
 Wall clearance of the rear panel min. 50 mm.

Installation requirements:
 Our delivered appliances are ready for operation. They have to be installed on a flat surface. First the preparations for the connections of water and electricity must be complete. Distance max. 1 m up to the device. This preparation-works must be performed by qualified specialists in accordance with applicable regulations. The device is intended exclusively for operation in interior rooms.
 Ambient temperatur: 5°C - 32°C. Humidity: max. 80%.

Unit	mm	Scale	NTS	Description	TD_SU12_FM_CM_2OM_en				
Drawn	MB002	Scale	08.11.2021						
Modified	MB002		10.11.2021						
Checked			01.01.1970						
ECN	500000001512	Document ID - Version		Revision	Status	Sheet / Sheets	Format		
Article Number		20218456-01		15	1 / 1	A2			