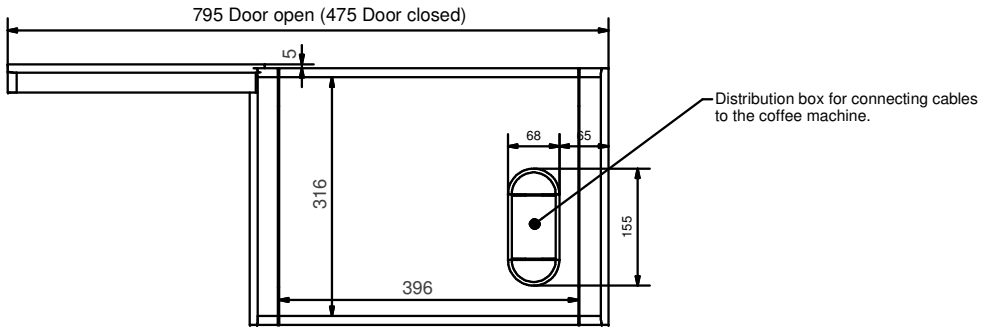
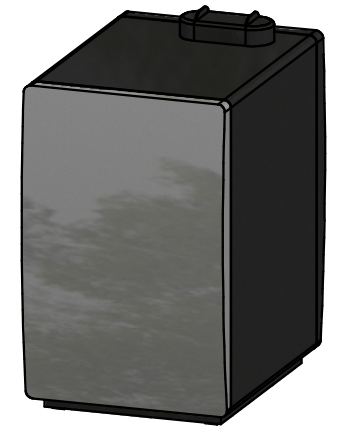
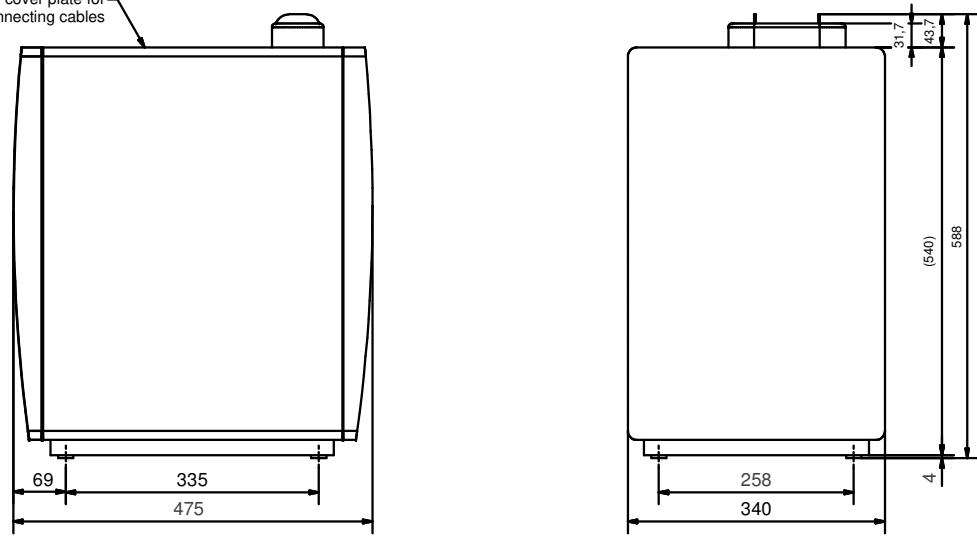


Free space min. 110 mm above the cover plate for the distribution box with connecting cables



Technical data:

Electrical connection: 220-240 VAC, 1LNPE, 0,71 A, 50-60 Hz - CH/EU/GB
 120 VAC, 1LNPE, 1,70 A, 60 Hz - USA
 100 VAC, 1LNPE, 1,70 A, 50-60 Hz - JP
 220 VAC, 1LNPE, 0,80 A, 50 Hz - CN
 110-127 VAC, 1LNPE, 1,50-1,70 A, 60 Hz - CN

Energy loss: 0,656 kWh/24h - 220-240 VAC, 50 Hz (according to DIN 18873-2)

Temperature range: + 3°C to + 8°C (Milk) Noise emission: < 70 dB (A)

Net weight: up to max. 26 kg Refrigerant: R600a - 28 grams

Installation notes on side:

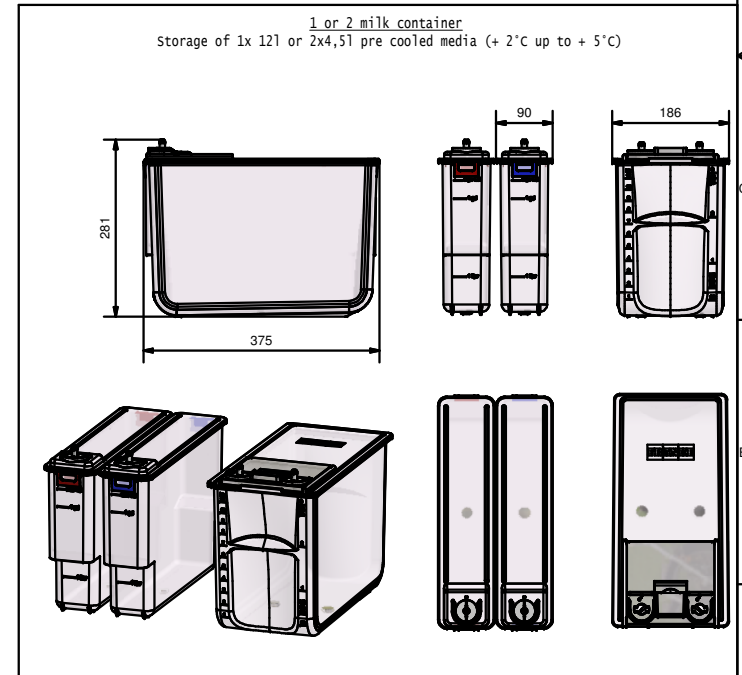
Soket with RCD (residual current device)

220-240 VAC, 1LNPE, 0,71 A, 50-60 Hz - CH/EU/GB
 120 VAC, 1LNPE, 1,70 A, 60 Hz - USA
 100 VAC, 1LNPE, 1,70 A, 50-60 Hz - JP
 220 VAC, 1LNPE, 0,80 A, 50 Hz - CN
 110-127 VAC, 1LNPE, 1,50-1,70 A, 60 Hz

The cooling unit must be installed in the counter under the coffee machine. By positioning the cooling unit right under the coffee machine the coffee-grounds ejection is not possible. If the coffee-grounds ejection is desired, it is possible to put the cooling unit to the left or to the right. Wall clearance of the rear panel min. 50 mm.

Installation requirements:

Our delivered appliances are ready for operation. They have to be installed on a flat surface. First the preparations for the connections of water and electricity must be complete. Distance max. 1 m up to the device. This preparation-works must be performed by qualified specialists in accordance with applicable regulations. The device is intended exclusively for operation in interior rooms. In the counter under the coffee machine, sufficient ventilation for the cooling unit must be ensured. Ambient temperature: 5°C - 32°C. Humidity: max. 80%.



Unit	mm	Scale	NTS	Description	TD_UT12_CM_en				
Drawn	MB002	25.01.2022							
Modified	MB002	25.01.2022							
Checked		01.01.1970							
ECN	50000001512			Document ID - Version	Revision	Status	Sheet / Sheets	Format	
Article Number				20222202-01		15	1 / 1	A2	