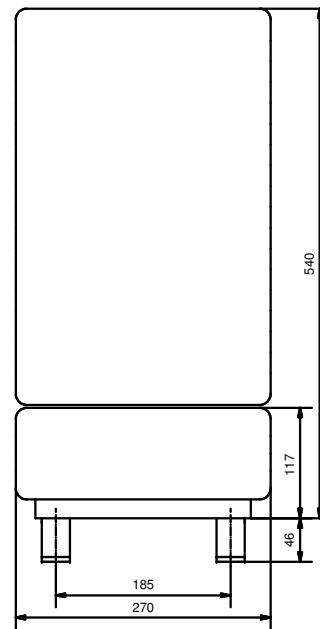
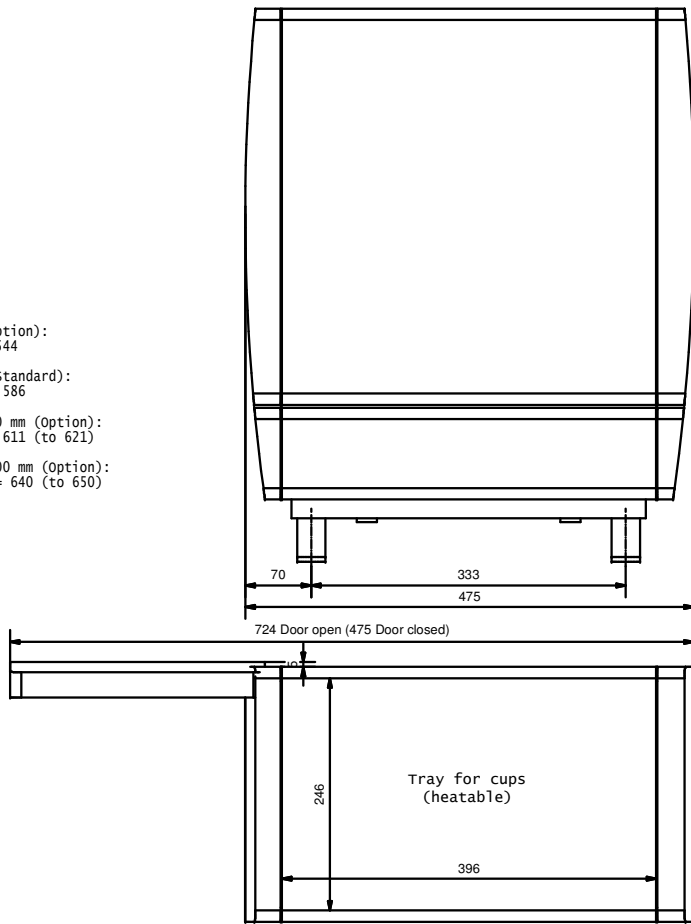
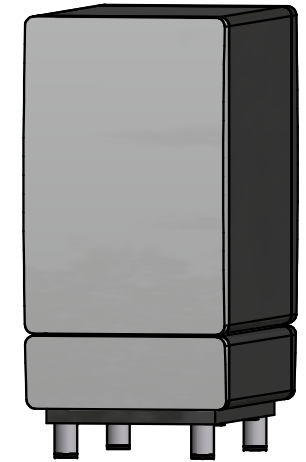


Devices heights:
 with feet 4 mm (Option):
 Height 540 + 4 = 544
 with feet 40 mm (Standard):
 Height 540 + 46 = 586
 Adjustable feet 70 mm (Option):
 Height 540 + 71 = 611 (to 621)
 Adjustable feet 100 mm (Option):
 Height 540 + 100 = 640 (to 650)



black line



black/anthracite

Technical data:
 Electrical connection: 220-240 VAC, 1LNPE, 1900-2300 W, 50-60 HZ - CH/EU/GB
 120 VAC, 1LNPE, 1440 W, 60 HZ - USA
 100 VAC, 1LNPE, 1350 W, 50-60 HZ - JP
 200 VAC, 1LNPE, 1950 W, 50 HZ - CN
 Energy loss: 0,227 kw/24h (according to DIN 18873-2)
 Temperature range: + 3°C to + 8°C (Milk)
 Net weight: max. 25 kg
 Noise emission: < 70 dB (A)
 Refrigerant: R600a - 12 grams

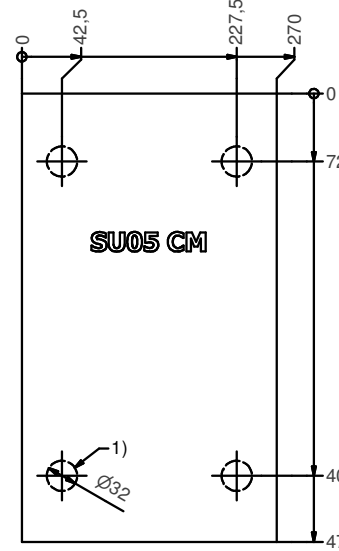
Installation notes on side:
 Soket with RCD (residual current device)
 220-240 VAC, 1LNPE, 1900-2300 W, 50-60 HZ - CH/EU/GB
 120 VAC, 1LNPE, 1440 W, 60 HZ - USA
 100 VAC, 1LNPE, 1350 W, 50-60 HZ - JP
 200 VAC, 1LNPE, 1950 W, 50 HZ - CN

The cooling unit must be installed on the left side next to the coffee machine.
 The supply lines are run through the tabletop under the coffee machine.
 Wall clearance of the rear panel min. 50 mm.

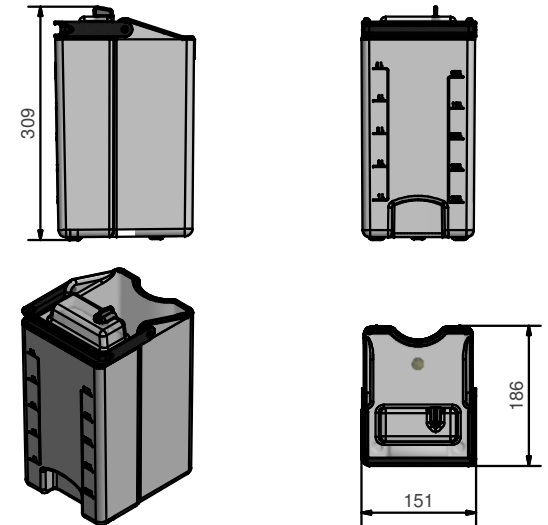
Installation requirements:

Our delivered appliances are ready for operation. They have to be installed on a flat surface. First the preparations for the connections of water and electricity must be complete. Distance max. 1 m up to the device. This preparation-works must be performed by qualified specialists in accordance with applicable regulations. The device is intended exclusively for operation in interior rooms. Ambient temperatur: 5°C - 32°C. Humidity: max. 80%.

Drilling not necessary.
 The connection cables run through the tabletop under the coffee machine



Milk container
 Storage 5 liter cooled milk
 (+ 2°C to + 5°C)



Frankie Kaffeemaschinen AG
 Frankie-Strasse 9
 CH-4963 Aarburg
 Telefon: +41 (0) 78 797 3607
 E-Mail: kmc@franke.com
 Internet: www.franke.com

Unit	mm	Scale	NTS
Drawn	MB002	01.02.2021	
Modified	MB002	01.02.2021	
Checked		01.01.1970	
ECN	500000001512		
Article Number			

Description	TD_SU05_CM_Fuss40_de	Revision	Status	Sheet / Sheets	Format
Document ID - Version	20201934-01	15	1 / 1	A2	