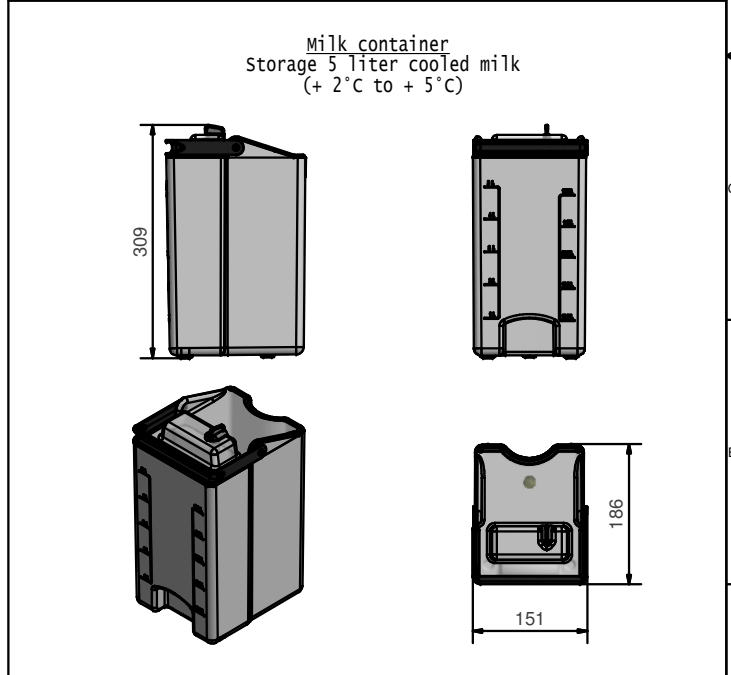


Technical data:
 Electrical connection: 220-240 VAC, 1LNPE, 0,35 A, 50-60 Hz - CH/EU/GB
 120 VAC, 1LNPE, 0,50 A, 60 Hz - USA
 100 VAC, 1LNPE, 0,54 A, 50-60 Hz - JP
 220 VAC, 1LNPE, 0,72 A, 50 Hz - CN
 Energy loss: 0,227 kW/24h - 220-240 VAC, 50 Hz (according to DIN 18873-2)
 Temperature range: + 3°C to + 8°C (Milk)
 Net weight: up to max. 20 kg
 Noise emission: < 70 dB (A)
 Refrigerant: R600a - 12 grams

Installation notes on side:
 Soket with RCD (residual current device)
 220-240 VAC, 1LNPE, 0,35 A, 50-60 Hz - CH/EU/GB
 120 VAC, 1LNPE, 0,50 A, 60 Hz - USA
 100 VAC, 1LNPE, 0,54 A, 50-60 Hz - JP
 220 VAC, 1LNPE, 0,72 A, 50 Hz - CN
 The cooling unit must be installed in the counter under the coffee machine. By positioning the cooling unit right under the coffee machine the coffee-grounds ejection is not possible. If the coffee-grounds ejection is desired, it is possible to put the cooling unit to the left or to the right. wall clearance of the rear panel min. 50 mm.
Note: Maximum permissible distances from floor underside of the coffee machine up to the top of the cooling unit is 200 mm.

Installation requirements:
 Our delivered appliances are ready for operation. They have to be installed on a flat surface. First the preparations for the connections of water and electricity must be complete. Distance max. 1 m up to the device. This preparation-works must be performed by qualified specialists in accordance with applicable regulations. The device is intended exclusively for operation in interior rooms. Ambient temperatur: 5°C - 32°C. Humidity: max. 80%
 In the counter under the coffee machine, sufficient ventilation for the cooling unit must be ensured.
 The maximum length of the milk lines of 1.5 m to the coffee machine must not be exceeded.



Unit	mm	Scale	NTS	Description	TD_UT05_EC_en				
Drawn	MB002	20.01.2021		Fränke Kaffeemaschinen AG Fränke-Strasse 9 CH-4963 Aarburg Telefon: +41 (0) 787 2607 E-Mail: kmc@franke.com Internet: www.franke.com	Revision	Status	Sheet / Sheets	Format	
Modified	MB002	20.01.2021		ECN	500000001512	20201439-01	15	1 / 1	A2
Checked		01.01.1970		Article Number					