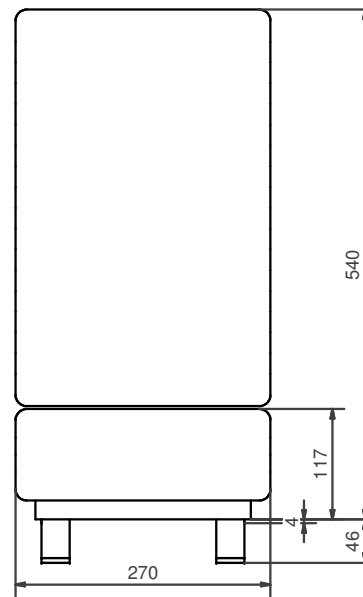
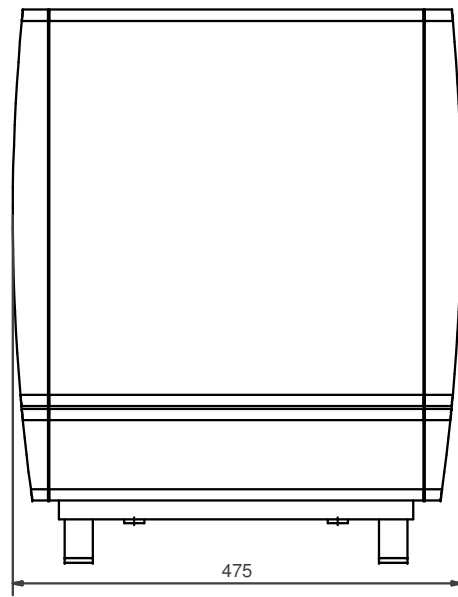


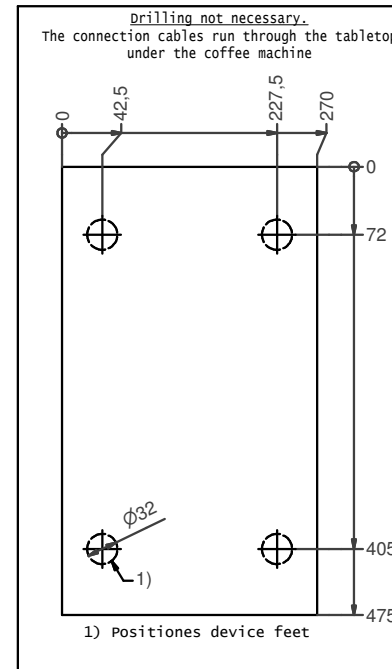
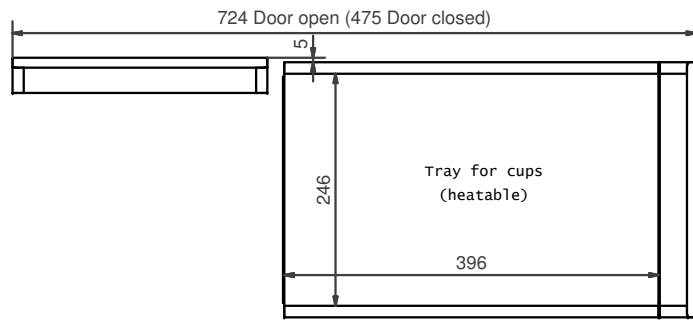
Devices heights:
 with feet 4 mm (Option):
 Height 540 + 4 = 544
 with feet 40 mm (Standard):
 Height 540 + 46 = 586
 Adjustable feet 70 mm (Option):
 Height 540 + 71 = 611 (to 621)
 Adjustable feet 100 mm (Option):
 Height 540 + 100 = 640 (to 650)



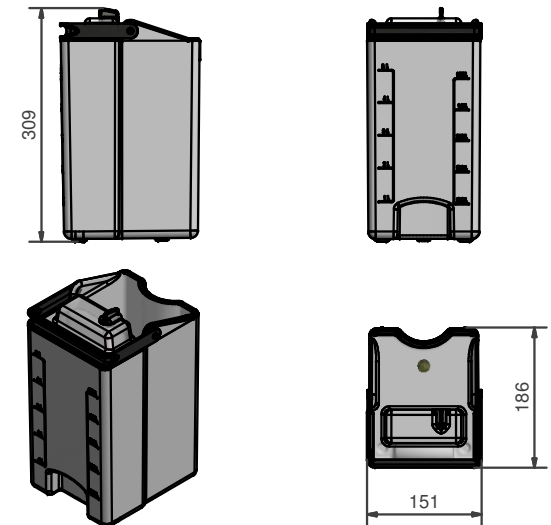
black/anthracite



black line



Milk container
 storage 5 liter cooled milk
 (+ 2°C to + 5°C)



Technical data:
 Electrical connection: 220-240 VAC, 1LNPE, 0,35 A, 50-60 Hz - CH/EU/GB
 120 VAC, 1LNPE, 0,50 A, 60 Hz - USA
 100 VAC, 1LNPE, 0,54 A, 50-60 Hz - JP
 220 VAC, 1LNPE, 0,72 A, 50 Hz - CN
 Energy loss: 0,227 kW/24h - 220-240 VAC, 50 Hz (according to DIN 18873-2)
 Temperature range: + 3°C to + 8°C (Milk)
 Net weight: up to max. 20 kg
 Noise emission: < 70 dB (A)
 Refrigerant: R600a - 12 grams

Installation notes on side:
 Socket with RCD (residual current device)
 220-240 VAC, 1LNPE, 0,35 A, 50-60 Hz - CH/EU/GB
 120 VAC, 1LNPE, 0,50 A, 60 Hz - USA
 100 VAC, 1LNPE, 0,54 A, 50-60 Hz - JP
 220 VAC, 1LNPE, 0,72 A, 50 Hz - CN

The cooling unit must be installed on the left side next to the coffee machine. The supply lines are run through the tabletop under the coffee machine. wall clearance of the rear panel min. 50 mm.

Installation requirements:

Our delivered appliances are ready for operation. They have to be installed on a flat surface. First the preparations for the connections of water and electricity must be complete. Distance max. 1 m up to the device. This preparation-works must be performed by qualified specialists in accordance with applicable regulations. The device is intended exclusively for operation in interior rooms. Ambient temperatur: 5°C - 32°C. Humidity: max. 80%.

Unit	mm	Scale	NTS	Description	TD_SU05_CM_Fuss40_de					
Drawn	MB002	26.01.2021								
Modified	MB002	26.01.2021								
Checked										
ECN	500000001512			Document ID - Version	Revision	Status	Sheet / Sheets	Format		
Article Number				20201680-01	15	1 / 1	A2			