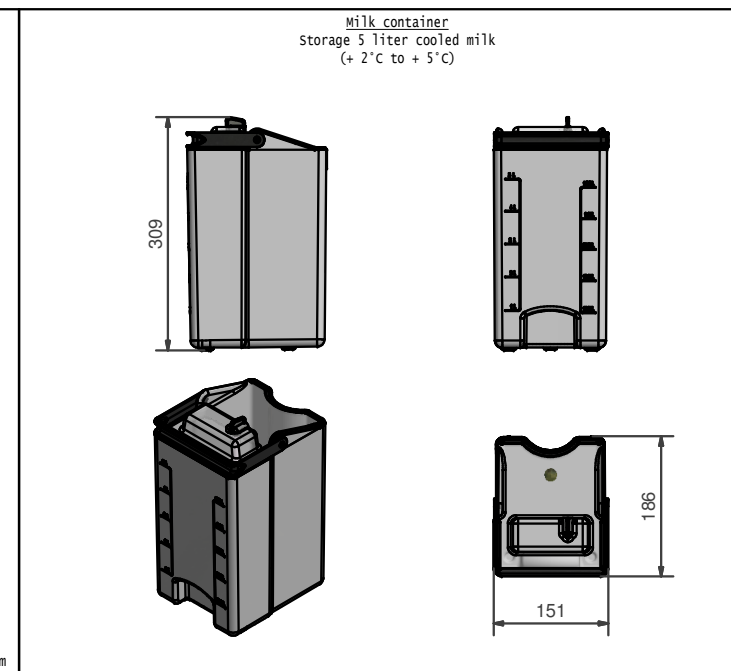
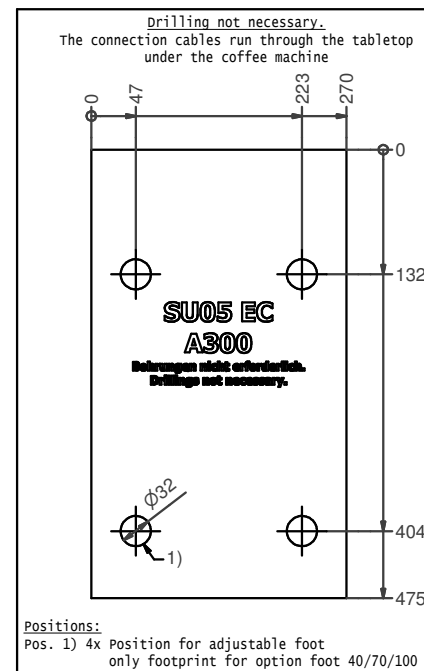
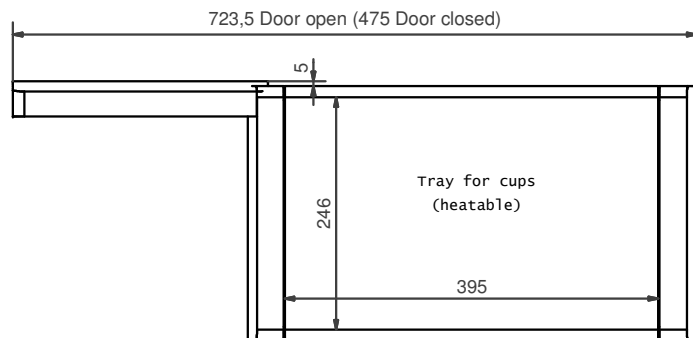


black line



Technical data:

Electrical connection: 220-240 VAC, 1LNPE, 0,35 A, 50-60 Hz - CH/EU/GB
 120 VAC, 1LNPE, 0,50 A, 60 Hz - USA
 100 VAC, 1LNPE, 0,54 A, 50-60 Hz - JP
 220 VAC, 1LNPE, 0,72 A, 50 Hz - CN

Energy loss: 0,227 kW/24h - 220-240 VAC, 50 Hz (according to DIN 18873-2)

Temperature range: + 3°C to + 8°C (Milk)

Net weight: up to max. 20 kg

Noise emission: < 70 dB (A)

Refrigerant: R600a - 12 grams

Installation notes on side:

Socket with RCD (residual current device)
 220-240 VAC, 1LNPE, 0,30 A, 50-60 Hz - CH/EU/GB
 120 VAC, 1LNPE, 0,50 A, 60 Hz - USA
 100 VAC, 1LNPE, 0,54 A, 50-60 Hz - JP
 220 VAC, 1LNPE, 0,72 A, 50 Hz - CN

The cooling unit must be installed on the left side next to the coffee machine.
 The supply lines are run through the tabletop under the coffee machine.
 Wall clearance of the rear panel min. 50 mm.

Installation requirements:

Our delivered appliances are ready for operation. They have to be installed on a flat surface. First the preparations for the connections of water and electricity must be complete. Distance max. 1 m up to the device. This preparation-works must be performed by qualified specialists in accordance with applicable regulations. The device is intended exclusively for operation in interior rooms. Ambient temperatur: 5°C - 32°C. Humidity: max. 80%.

FRANKE Fränke Kaffeemaschinen AG Fränke-Strasse 9 CH-4963 Aarburg Telefon: +41 (0) 787 3607 E-Mail: kmc@franke.com Internet: www.franke.com		Unit mm	Scale NTS	Description TD_SU05_EC_no socket_en
Drawn MB002	05.02.2020	Modified MB002	05.02.2020	
Checked		ECN	500000001512	Document ID - Version
Article Number			20174712-01	Revision 15
				Status 1 / 1
				Sheet / Sheets A2