

Devices heights:

with feet 7 mm (Option):
Height 750 + 7 = 757

with feet 40 mm (Standard):
Height 750 + 46 = 796

Adjustable feet 70 mm (Option):
Height 750 + 71 = 821 (to 831)

Adjustable feet 100 mm (Option):
Height 750 + 100 = 850 (to 860)

Technical Data:

(A) Franke S700:
(Net weight 58 kg)

380-415 VAC, 3L N PE, 6300-7800 W, 50-60 HZ, 16 A - CH/EU/GB
 220-240 VAC, 1L N PE, 4400-5000 W, 50-60 HZ, 30 A - CH/EU/GB
 220-240 VAC, 3L PE, 6300-8500 W, 50-60 HZ, 30 A - CH/EU/GB
 200-220 VAC, 2L PE, 4500-5100 W, 60 HZ, 30 A - USA
 200-220 VAC, 3L PE, 6800-8000 W, 50-60 HZ, 30 A - JP
 380 VAC, 3L N PE, 6300 W, 50-60 HZ, 16 A - CN

Fixed water connection: Inlet hose 8 x 1500 mm, union nut G3/8"
 Waste water hose 16 x 2000 mm

FRANKE Franke Kaffeemaschinen AG Franke-Strasse 9 CH-4663 Aarburg Telefon: +41 62 787 3607 E-Mail: kmch@franke.com Internet: www.franke.com	Unit	Scale	Description			
	mm	NTS	TD S700 2G - en			
	Drawn	MB002	26.01.2018			
	Modified	MB002	26.01.2018			
Checked						
ECN	500000001512	Document ID - Version	Revision	Status	Sheet / Sheets	Format
Article Number		20107053-01		15	1 / 2	A3

These drawings and specifications are the property of Franke Technology and Trademark Ltd. and shall not be reproduced, copied or transferred to any third party without the prior written permission of Franke Technology and Trademark Ltd., Hergiswil, Switzerland

Installation notes on site:

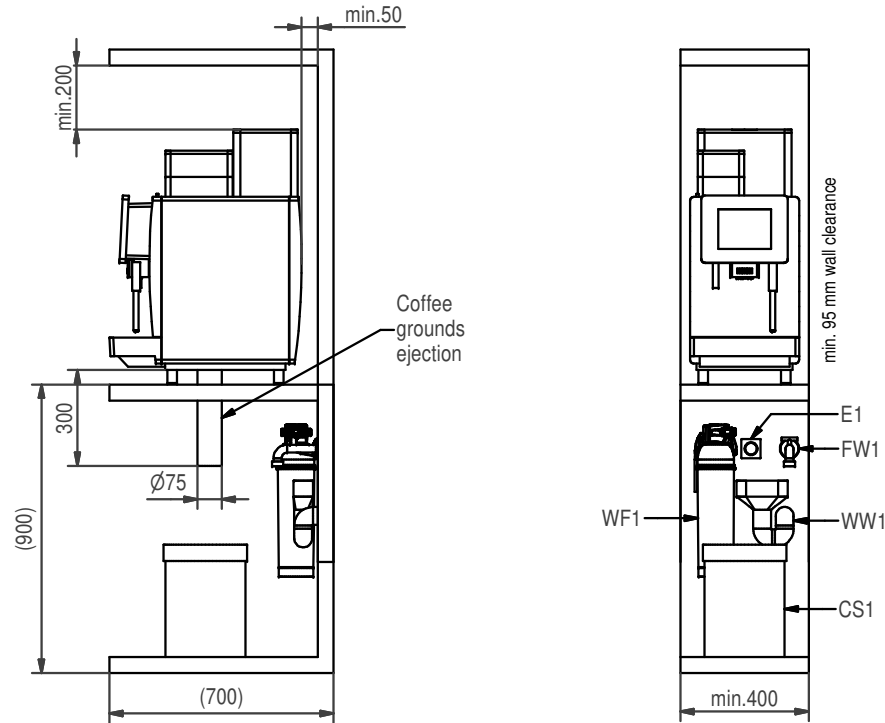
WW1: Waste water - DN50 funnel trap ventilated - S700 (A)
for drainage hose

FW1: Fixed water connection G3/8A external thread - S700 (A)
Check valve, filter and aquastop - recommendation
water pressure 80-800 kPa (0,8-8,0 bar)
Flow rate: >0,1l/sec. - Water temperatur <25°C
water hardness: 4-8°dH; 7-14fH; 70-140ppm (mg/l)
Carbon hardness: 3-6°dH; 50-105ppm (mg/l) - pH-value: 6,5-7,5
Chlorine content: <0,5mg/l - Chloride content: <30mg/l
Elektrical conductivity: 50-200µs/cm - Iron content: <0,3mg/l

E1: Soket with RCD (residual current device) - S700 (A)
380-415 VAC, 3L N PE, 6300-7800 W, 50-60 Hz, 16 A - CH/EU/GB
220-240 VAC, 1L N PE, 4400-5000 W, 50-60 Hz, 30 A - CH/EU/GB
220-240 VAC, 3L PE, 6300-8500 W, 50-60 Hz, 30 A - CH/EU/GB
200-220 VAC, 2L PE, 4500-5100 W, 60 Hz, 30 A - USA
200-220 VAC, 3L PE, 6800-8000 W, 50-60 Hz, 30 A - JP
380 VAC, 3L N PE, 6300 W, 50-60 Hz, 16 A - CN

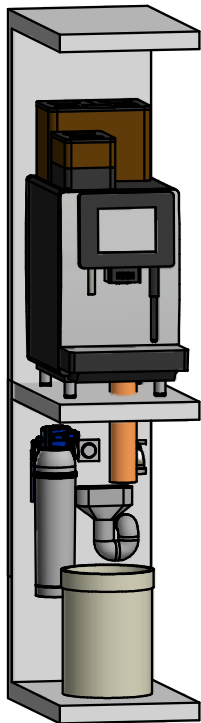
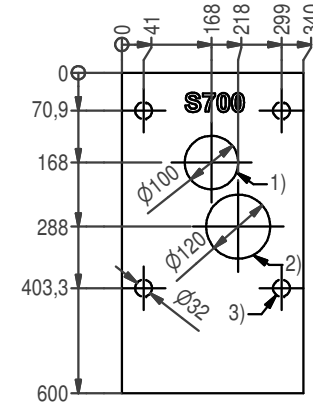
CC1: Option container for coffee-grounds ejection - S700 (A)

WF1: Option water filter - S700 (A)



Positions:

- Pos. 1) 1x Drilling
- Supply lines - S700 (A)
- Pos. 2) 1x Drilling (Option)
- Coffee-grounds ejection - S700 (A)
- Pos. 3) 4x Surface
- Equipment feet



Installation requirements:

Our delivered appliances are ready for operation. They have to be installed on a flat surface. First the preparations for the connections of water and electricity must be complete. Distance max. 1 m up to the device. This preparation-works must be performed by qualified specialists in accordance with applicable regulations. The coffee machine is intended exclusively for operation in interior rooms. Ambient temperatur: 5°C - 32°C. Humidity: max. 80%

FRANKE Franke Kaffeemaschinen AG Franke-Strasse 9 CH-4663 Aarburg Telefon: +41 62 787 3607 E-Mail: kmch@franke.com Internet: www.franke.com	Unit	Scale	Description				
	mm	NTS	TD S700 2G - en				
	Drawn	MB002	26.01.2018				
	Modified	MB002	26.01.2018				
Checked							
ECN	500000001512	Document ID - Version		Revision	Status	Sheet / Sheets	Format
Article Number		20107053-01			15	2 / 2	A3