

Devices heights:
 with feet 7 mm (Option):
 Height 750 + 7 = 757**

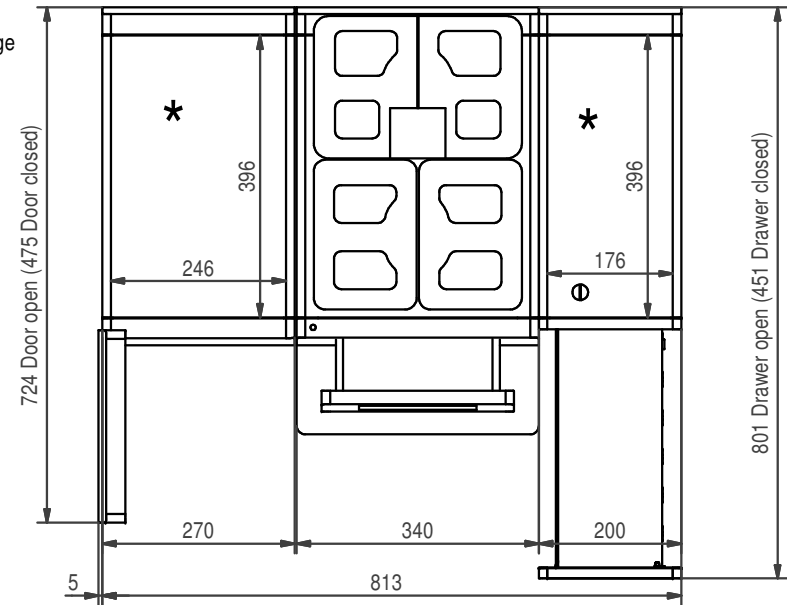
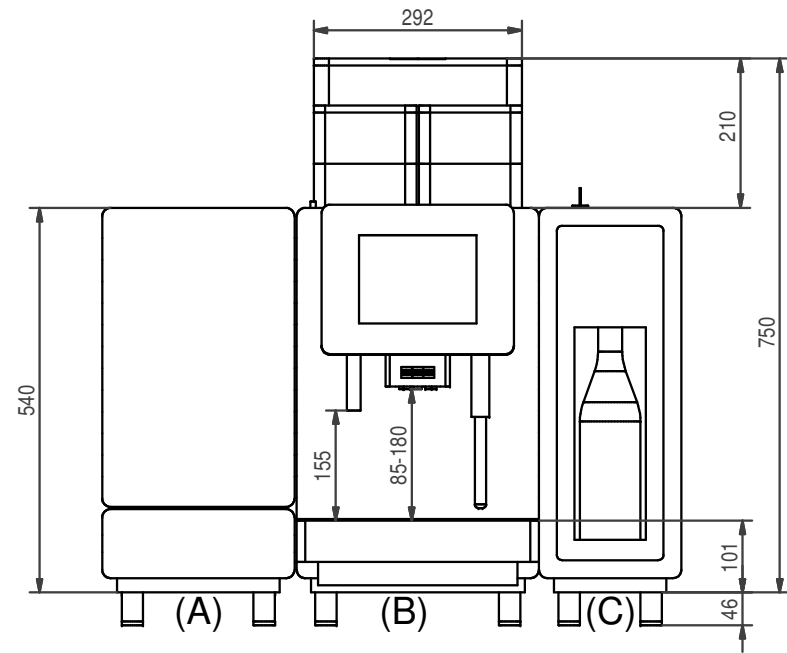
 with feet 40 mm (Standard):
 Height 750 + 46 = 796**

 Adjustable feet 70 mm (Option):
 Height 750 + 71 = 821** (to 831**)

 Adjustable feet 100 mm (Option):
 Height 750 + 100 = 850** (to 860**)

 **The optional bean hopper 2 x 600 g
 reduces the device height 52 mm.

*Tray for cup storage
(Heatable)



Technical Data:

- (A) SU05 CM: 220-240 V, 1LNPE, 1950-2300 W, 50-60 Hz - EU
 (Net weight 25 kg) 120 V, 1LNPE, 1440 W, 60 Hz - USA
 100 V, 1LNPE, 1350 W, 50-60 Hz - JP
 220 V, 1LNPE, 1950 W, 50 Hz - CN
- (B) A600 FM CM: 200 V, 2L PE, 2450 W, 15 A, 50-60 Hz - JP
 (Net weight 38 kg) 200-220 V, 2L PE, 4500-5300 W, 30 A, 60 Hz - US/CR/PA
 220 V, 2L PE, 2400 W, 16 A, 60 Hz - BR
 220-240 V, 1LNPE, 2100-2300 W, 10 A, 50-60 Hz - CH/GB/EU/CN
 220-240 V, 1LNPE, 2400-2800 W, 16 A, 50-60 Hz - CH/GB/EU
- Mains water connection: Inlet hose 8 x 1500 mm, union nut G3/8"
 Waste water hose 20 x 2000 mm
- (C) FS30: 220-240 V, 1LNPE, 50-60 Hz - CH/EU/GB
 (Net weight 17 kg) 110-127 V, 1LNPE, 50-60 Hz - USA
 100 V, 1LNPE, 50-60 Hz - JP
 220 V, 1LNPE, 50 Hz - CN

FRANKE Franke Kaffeemaschinen AG Franke-Strasse 9 CH-4663 Aarburg Telefon: +41 62 787 3607 E-Mail: kmch@franke.com Internet: www.franke.com	Unit	Scale	Description				
	Drawn	MAIER	04.05.2016	TD_A600FMCM_SU05_FS30_en			
	Modified	MB002	29.05.2018				
	Checked						
ECN	500000001512	Document ID - Version		Revision	Status	Sheet / Sheets	Format
Article Number		20098352-03		15	1 / 2	A3	

Installation notes on site:

WW1: Waste water - DN50 funnel trap ventilated - A600 FM CM (B)
for drainage hose

FW1: Mains water connection G3/8A external thread - A600 FM CM (B)
Check valve, filter and aquastop - recommendation
water pressure 80-800 kPa (0,8-8,0 bar)
Flow rate: >0,1l/sec. - Water temperatur <25°C
water hardness: 4-8°dH; 7-14fH; 70-140ppm (mg/l)
Carbon hardness: 3-6°dH; 50-105ppm (mg/l) - pH-value: 6,5-7,5
Chlorine content: <0,5mg/l - Chloride content: <30mg/l
Elektrical conductivity: 50-200µs/cm - Iron content: <0,3mg/l

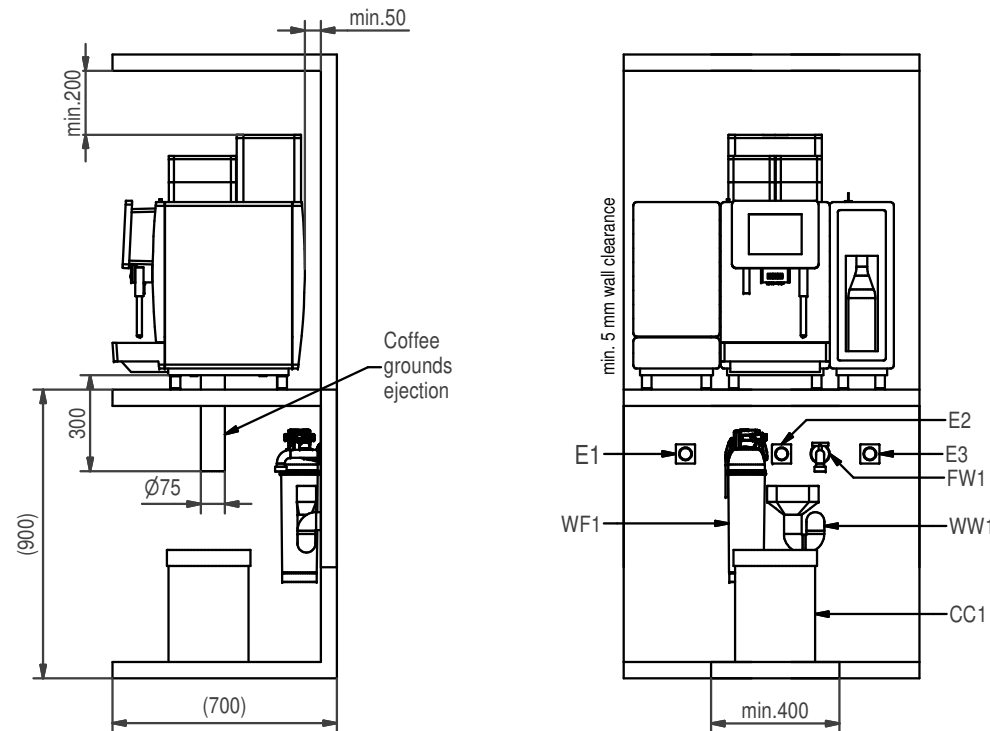
E1: Soket with RCD (residual current device) - SU05 CM (A)
220-240 V, 1LNPE, 1950-2300 W, 50-60 HZ - EU
120 V, 1LNPE, 1440 W, 60 HZ - USA
100 V, 1LNPE, 1350 W, 50-60 HZ - JP
220 V, 1LNPE, 1950 W, 50 HZ - CN

E2: Soket with RCD (residual current device) - A600 FM CM (B)
200 V, 2L PE, 2450 W, 15 A, 50-60 HZ - JP
200-220 V, 2L PE, 4500-5300 W, 30 A, 60 HZ - US/CR/PA
220 V, 2L PE, 2400 W, 16 A, 60 HZ - BR
220-240 V, 1LNPE, 2100-2300 W, 10 A, 50-60 HZ - CH/GB/EU/CN
220-240 V, 1LNPE, 2400-2800 W, 16 A, 50-60 HZ - CH/GB/EU

E3: Soket with RCD (residual current device) - FS30 (C)
220-240 V, 1LNPE, 50-60 HZ - CH/EU/GB
110-127 V, 1LNPE, 50-60 HZ - USA
100 V, 1LNPE, 50-60 HZ - JP
220 V, 1LNPE, 50 HZ - CN

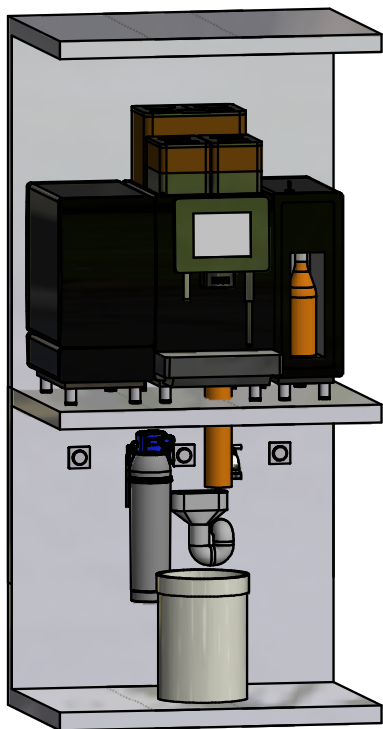
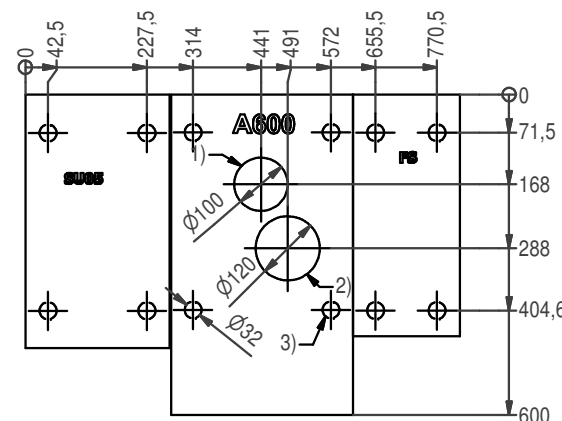
CC1: Option container for coffee-grounds ejection - A600 FM CM (B)

WF1: Option water filter - A600 FM CM (B)



Positions:

- Pos. 1) 1x Drilling
 - Supply lines - SU05 CM (A)
 - Supply lines - A600 (B)
 - Supply lines - FS30 (C)
- Pos. 2) 1x Drilling (Option)
 - Coffee-grounds ejection - A600 (B)
- Pos. 3) 12x Surface
 - Equipement feet



Installation requirements:

Our delivered appliances are ready for operation. They have to be installed on a flat surface. First the preparations for the connections of water and electricity must be complete. Distance max. 1 m up to the device. This preparation-works must be performed by qualified specialists in accordance with applicable regulations. The coffee machine is intended exclusively for operation in interior rooms.
Ambient temperatur: 5°C - 32°C.
Humidity: max. 80%

FRANKE Franke Kaffeemaschinen AG Franke-Strasse 9 CH-4663 Aarburg Telefon: +41 62 787 3607 E-Mail: kmch@franke.com Internet: www.franke.com	Unit		Scale	Description			
	Drawn	MAIER	04.05.2016	TD_A600FMCM_SU05_FS30_en			
	Modified	MB002	29.05.2018				
	Checked						
ECN	500000001512	Document ID - Version		Revision	Status	Sheet / Sheets	Format
Article Number		20098352-03		15	2 / 2	A3	