

Technical data:

(A) SU03 EC:	220-240 VAC, 1LNPE,	- W, 0,50 A, 50-60 Hz,	- Á - CH/EU/GB
(Net weight 14,5 kg)	110-115 VAC, 1LNPE,	- W, 1,00 A, 60 Hz,	- Á - USA
	100 VAC, 1LNPE,	- W, 0,95 A, 50-60 Hz,	- Á - JP
	220 VAC, 1LNPE,	- W, 0,50 A, 50 Hz,	- Á - CN

(B) A300 MS/FM EC:	220-240 VAC, 1LNPE, 2100-2400 W,	- , 50-60 Hz, 10 Á - CH/GB/EU
(Net weight 25 kg)	100-127 VAC, 1LNPE, 1200-1500 W,	- , 60 Hz, 15 Á - USA/LATAM
	100 VAC, 1LNPE, 1400 W,	- , 50-60 Hz, 15 Á - JP

Fresh water: Internal water tank, 4,8 litres (monitored)

Waste water: Drip tray removable, capacity 2,0 liters (monitored)
alternatively:
 Drip tray with drain hose Di20 x 2000 mm

Franke Kaffeemaschinen AG Franke-Strasse 9 CH-4663 Aarburg Telefon: +41 62 787 3607 E-Mail: kmch@franke.com Internet: www.franke.com	Unit		Scale	Description			
	mm		NTS	TD_A300MS_FM_s_W3_SU03_en			
	Drawn	MB002	03.11.2021				
	Modified	MB002	03.11.2021				
Checked							
ECN	500000001512	Document ID - Version		Revision	Status	Sheet / Sheets	Format
Article Number		20218135-01			15	1 / 2	A3

These drawings and specifications are the property of Franke Technology and Trademark Ltd. and shall not be reproduced, copied or transferred to any third party without the prior written permission of Franke Technology and Trademark Ltd., Hergiswil, Switzerland

Installation notes on site:

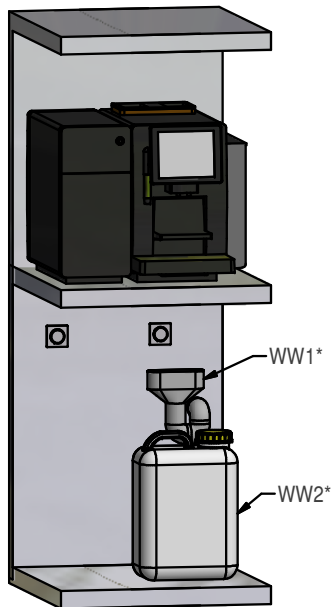
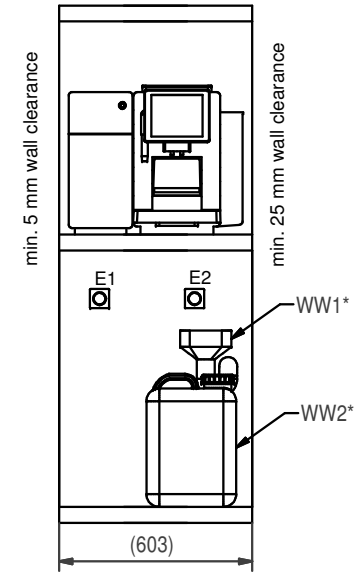
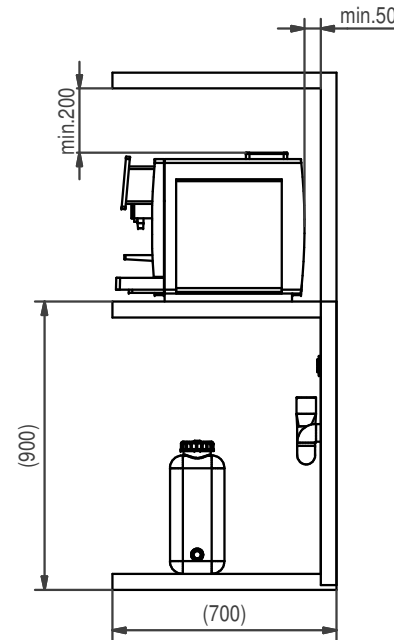
E1: Soker with RCD (residual current device) - SU03 EC (A)
 220-240 VAC, 1LNPE, 10 A, 50-60 Hz - CH/EU/GB
 110-115 VAC, 1LNPE, 15 A, 60 Hz - USA
 100 VAC, 1LNPE, 15 A, 50-60 Hz - JP
 220 VAC, 1LNPE, 10 A, 50 Hz - CN

E2: Soker with RCD (residual current device) - A300 MS/FM EC (B)
 220-240 VAC, 1LNPE, 2100-2400 W, -, 50-60 Hz, 10 A - CH/GB/EU
 100-127 VAC, 1LNPE, 1200-1500 W, -, 60 Hz, 15 A - USA/LATAM
 100 VAC, 1LNPE, 1400 W, -, 50-60 Hz, 15 A - JP

Optional for drip tray with drain hose:

WW1*: DN50 funnel siphon ventilated
alternatively:

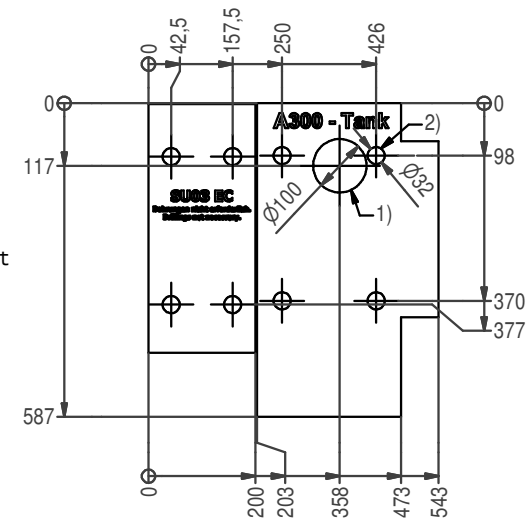
WW2*: Wastewater tank 16 litres, monitored
 (can be ordered as an accessory)



Positions:

Pos. 1) 1x Drilling
 - Supply lines
 A300(B), SU03(A)
 (not required for electrical connection
 above the counter and removable
 drip tray with level monitoring)

Pos. 2) 8x Positions for adjustable foot
 SU03(A), A300(B)
 only footprint for option
 (foot 40 / 70 / 100 mm)



Installation requirements:

Our delivered appliances are ready for operation. They have to be installed on a flat surface. First the preparations for the connections of water and electricity must be complete. Distance max. 1 m up to the device. This preparation-works must be performed by qualified specialists in accordance with applicable regulations. The coffee machine is intended exclusively for operation in interior rooms.
 Ambient temperatur: 5°C - 32°C.
 Humidity: max. 80%

Franke Kaffeemaschinen AG Franke-Strasse 9 CH-4663 Aarburg Telefon: +41 62 787 3607 E-Mail: kmch@franke.com Internet: www.franke.com	Unit		Scale	Description							
	mm	NTS	NTS	TD_A300MS_FM_s_W3_SU03_en							
	Drawn	MB002	03.11.2021								
	Modified	MB002	03.11.2021								
Checked							Document ID - Version	Revision	Status	Sheet / Sheets	Format
ECN	500000001512						20218135-01	15	2 / 2	A3	
Article Number											