

Technical data:

(A) SU03 EC: 220-240 VAC, 1LNPE, - w, 0,50 A, 50-60 Hz, - Á - CH/EU/GB  
 (Net weight 14,5 kg) 110-115 VAC, 1LNPE, - w, 1,00 A, 60 Hz, - Á - USA  
 100 VAC, 1LNPE, - w, 0,95 A, 50-60 Hz, - Á - JP  
 220 VAC, 1LNPE, - w, 0,50 A, 50 Hz, - Á - CN

(B) A300 MS/FM EC: 220-240 VAC, 1LNPE, 2100-2400 w, -, 50-60 Hz, 10 Á - CH/GB/EU  
 (Net weight 23 kg) 100-127 VAC, 1LNPE, 1200-1500 w, -, 60 Hz, 15 Á - USA/LATAM  
 100 VAC, 1LNPE, 1400 w, -, 50-60 Hz, 15 Á - JP

Fresh water: Mains water connection, inlet hose Di8 x 1500 mm; G3/8" union nut

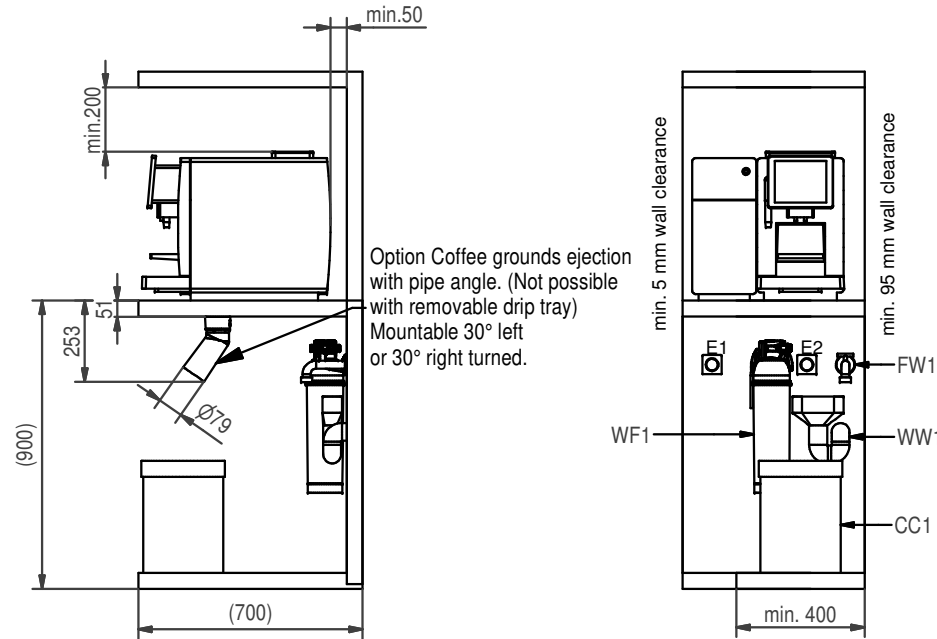
Waste water: Drip tray with drain hose Di16 x 2000 mm  
*Alternatively:*  
 Drip tray removable, capacity 2.0 litres (monitored)  
 (coffee grounds ejection not possible with removable drip tray)

Franke Kaffeemaschinen AG Franke-Strasse 9 CH-4663 Aarburg Telefon: +41 62 787 3607 E-Mail: kmch@franke.com Internet: www.franke.com	Unit	Scale	Description				
	mm	NTS	TD_A300MS_FM_s_W4_SU03_en				
	Drawn	MB002	03.11.2021				
	Modified	MB002	03.11.2021				
Checked							
ECN	500000001512	Document ID - Version		Revision	Status	Sheet / Sheets	Format
Article Number		20218133-01			15	1 / 2	A3

These drawings and specifications are the property of Franke Technology and Trademarks Ltd. and shall not be reproduced, copied or transferred to any third party without the prior written permission of Franke Technology and Trademark Ltd., Hergiswil, Switzerland

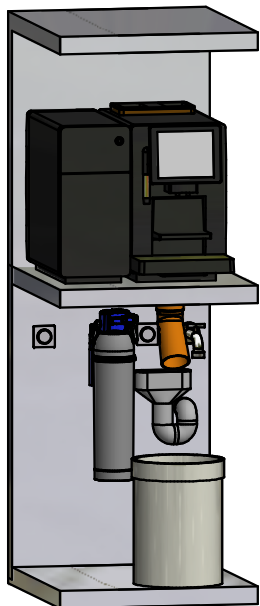
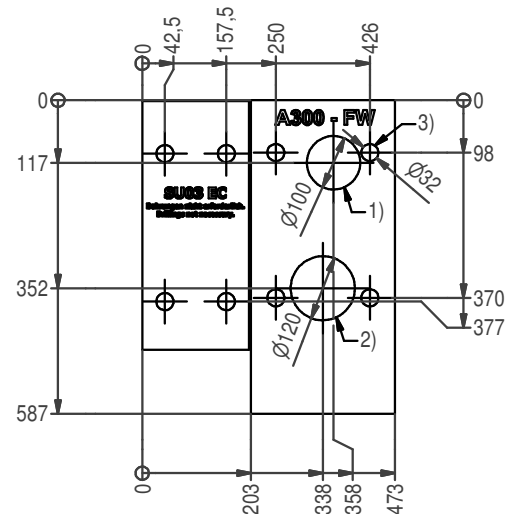
**Installation notes on site:**

- WW1: DN50 funnel trap ventilated - A300 MS/FM EC (B)  
for drainage hose  
(not required for removable drip tray 2.0 l)
- FW1: Mains water connection G3/8A external thread - A300 MS/FM EC (B)  
Check valve, filter and aquastop - recommendation  
water pressure 80-800 kPa (0,8-8,0 bar)  
Flow rate: >0,1l/sec. - Water temperatur <25°C  
water hardness: 4-8°dH; 7-14fH; 70-140ppm (mg/l)  
Carbon hardness: 3-6°dH; 50-105ppm (mg/l) - pH-value: 6,5-7,5  
Chlorine content: <0,5mg/l - Chloride content: <30mg/l  
Elektrical conductivity: 50-200µs/cm - Iron content: <0,3mg/l
- E1: Soket with RCD (residual current device) - SU03 EC (A)  
220-240 VAC, 1LNPE, 10Å, 50-60 Hz - EU  
110-115 VAC, 1LNPE, 15A, 60 Hz - US  
100 VAC, 1LNPE, 15Å, 50-60 Hz - JP  
220 VAC, 1LNPE, 10Å, 50 Hz - CN
- E2: Soket with RCD (residual current device) - A300 MS/FM EC (B)  
220-240 VAC, 1LNPE, 2100-2400 W, -, 50-60 Hz, 10 Å - CH/GB/EU  
100-127 VAC, 1LNPE, 1200-1500 W, -, 60 Hz, 15 Å - USA/LATAM  
100 VAC, 1LNPE, 1400 W, -, 50-60 Hz, 15 Å - JP
- CC1: Option container for coffee-grounds ejection - A300 MS/FM EC (B)  
(not required for removable drip tray 2.0 l)
- WF1: Option water filter - A300 MS/FM EC (B)



**Positions:**

- Pos. 1) 1x Drilling  
- Supply lines  
SU03(A), A300 (B)
- Pos. 2) 1x Drilling (Option)  
- Coffee-grounds ejection - A300(B)  
(not possible with removable drip tray)
- Pos. 3) 8x Positions for adjustable foot A300(B), SU03(A)  
only footprint for option  
(foot 40 / 70 / 100 mm)



**Installation requirements:**

Our delivered appliances are ready for operation. They have to be installed on a flat surface. First the preparations for the connections of water and electricity must be complete. Distance max. 1 m up to the device. This preparation-works must be performed by qualified specialists in accordance with applicable regulations. The coffee machine is intended exclusively for operation in interior rooms.  
Ambient temperatur: 5°C - 32°C.  
Humidity: max. 80%

Franke Kaffeemaschinen AG Franke-Strasse 9 CH-4663 Aarburg Telefon: +41 62 787 3607 E-Mail: kmch@franke.com Internet: www.franke.com	Unit		Scale	Description	TD_A300MS_FM_s_W4_SU03_en  Document ID - Version Revision Status Sheet / Sheets Format
	mm		NTS		
	Drawn	MB002	03.11.2021		
	Modified	MB002	03.11.2021		
Checked					
ECN	500000001512				
Article Number				20218133-01	