

Technical data:

(A) KE200 EC:	220-240 VAC, 1LNPE,	82 W,	- A,	50-60 HZ,	10 Á
(Net weight 13 kg)	110 VAC, 1LNPE,	- W,	1,50 A,	60 HZ,	- Á
	100 VAC, 1LNPE,	- W,	1,50 A,	50-60 HZ,	- Á
(B) A300 MS/FM EC:	220-240 VAC, 1LNPE,	2100-2400 W,	-,	50-60 HZ,	10 Á - CH/GB/EU
(Net weight 23 kg)	100-127 VAC, 1LNPE,	1200-1500 W,	-,	60 HZ,	15 Á - USA/LATAM
	100 VAC, 1LNPE,	1400 W,	-,	50-60 HZ,	15 Á - JP

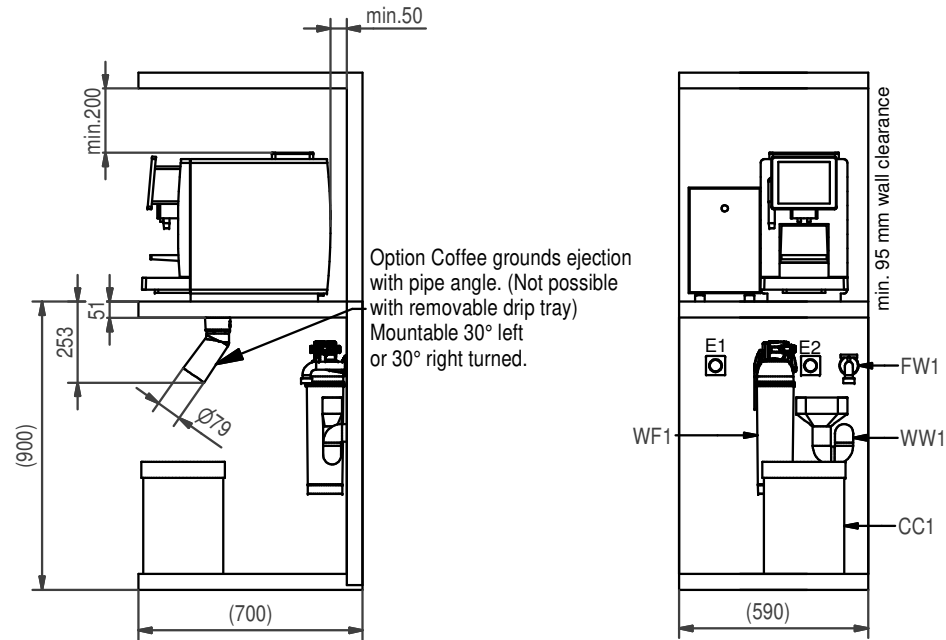
Fresh water: Mains water connection, inlet hose Di8 x 1500 mm; G3/8" union nut

Waste water: Drip tray with drain hose Di16 x 2000 mm
Alternatively:
 Drip tray removable, capacity 2.0 litres (monitored)
 (coffee grounds ejection not possible with removable drip tray)

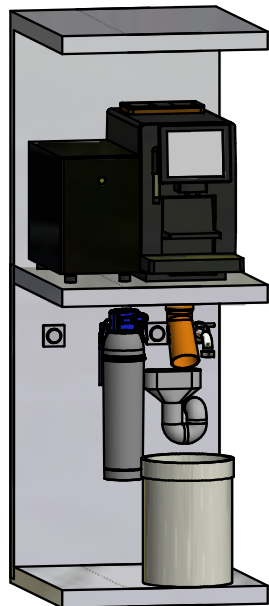
Franke Kaffeemaschinen AG Franke-Strasse 9 CH-4663 Aarburg Telefon: +41 62 787 3607 E-Mail: kmch@franke.com Internet: www.franke.com	Unit	mm	Scale	NTS	Description TD_A300MS_FM_s_W4_KE200_en	
	Drawn	MB002	12.02.2020			
	Modified	MB002	06.03.2020			
	Checked					
ECN	500000001512	Document ID - Version	Revision	Status	Sheet / Sheets	Format
Article Number		20175002-01		15	1 / 2	A3

Installation notes on site:

- WW1 : DN50 funnel trap ventilated - A300 MS/FM EC (B)
for drainage hose
(not required for removable drip tray 2.0 l)
- FW1: Mains water connection G3/8A external thread - A300 MS/FM EC (B)
check valve, filter and aquastop - recommendation
Water pressure 80-800 kPa (0,8-8,0 bar)
Flow rate: >0,1l/sec. - Water temperatur <25°C
Water hardness: 4-8°dH; 7-14fH; 70-140ppm (mg/l)
Carbon hardness: 3-6°dH; 50-105ppm (mg/l) - pH-value: 6,5-7,5
Chlorine content: <0,5mg/l - Chloride content: <30mg/l
Elektrical conductivity: 50-200µs/cm - Iron content: <0,3mg/l
- E1: Soket with RCD (residual current device) - KE200 EC (A)
220-240 VAC, 1L N PE, 82 W, -, 50-60 HZ, 10 A
110 VAC, 1L N PE, - W, 1,5 A, 60 HZ
100 VAC, 1L N PE, - W, 1,5 A, 50-60 HZ
- E2: Soket with RCD (residual current device) - A300 MS/FM EC (B)
220-240 VAC, 1L N PE, 2100-2400 W, -, 50-60 HZ, 10 A - CH/GB/EU
100-127 VAC, 1L N PE, 1200-1500 W, -, 60 HZ, 15 A - USA/LATAM
100 VAC, 1L N PE, 1400 W, -, 50-60 HZ, 15 A - JP
- CC1 : Option container for coffee-grounds ejection - A300 MS/FM EC (B)
(not required for removable drip tray 2.0 l)
- WF1: Option water filter - A300 MS/FM EC (B)



Option Coffee grounds ejection with pipe angle. (Not possible with removable drip tray)
Mountable 30° left or 30° right turned.



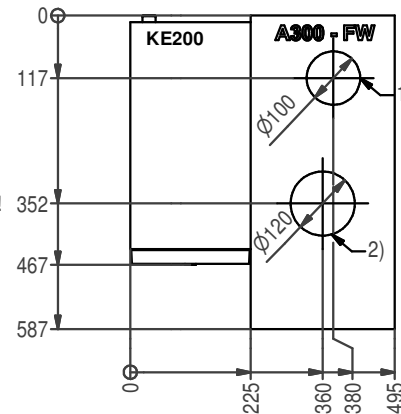
Installation requirements:

Our delivered appliances are ready for operation. They have to be installed on a flat surface. First the preparations for the connections of water and electricity must be complete. Distance max. 1 m up to the device. This preparation-works must be performed by qualified specialists in accordance with applicable regulations. The coffee machine is intended exclusively for operation in interior rooms.
Ambient temperatur: 5°C - 32°C.
Humidity: max. 80%

Positions:

- Pos. 1) 1x Drilling
- Supply lines
A300(B), KE200 (A)
- Pos. 2) 1x Drilling (Option)
- Coffee-grounds ejection - A300 (B)
(not possible with removable drip tray)

Adjustabel feet are in this combination not possible!



Franke Kaffeemaschinen AG Franke-Strasse 9 CH-4663 Aarburg Telefon: +41 62 787 3607 E-Mail: kmch@franke.com Internet : www.franke.com	Unit		Scale	Description						
	mm		NTS	TD_A300MS_FM_s_W4_KE200_en						
	Drawn	MB002	12.02.2020	ECN	500000001512	Document ID - Version	Revision	Status	Sheet / Sheets	Format
	Modified	MB002	06.03.2020	Article Number	20175002-01	20175002-01	15	2 / 2	A3	

These drawings and specifications are the property of Franke Technology and Trademark Ltd. and shall not be reproduced, copied or transferred to any third party without the prior written permission of Franke Technology and Trademark Ltd., Hergiswil, Switzerland