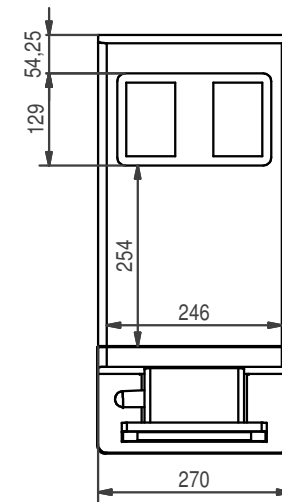


(A)



Technical data:

(A) A300: 220-240 VAC, 1LNPE, 2100-2400 W, -, 50-60 HZ, 10 A - CH/GB/EU
 (Net weight 23 kg) 100-127 VAC, 1LNPE, 1200-1500 W, -, 60 HZ, 15 A - USA/LATAM
 100 VAC, 1LNPE, 1400 W, -, 50-60 HZ, 15 A - JP

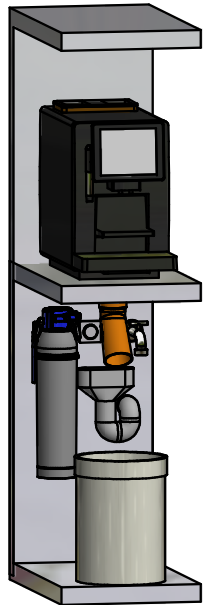
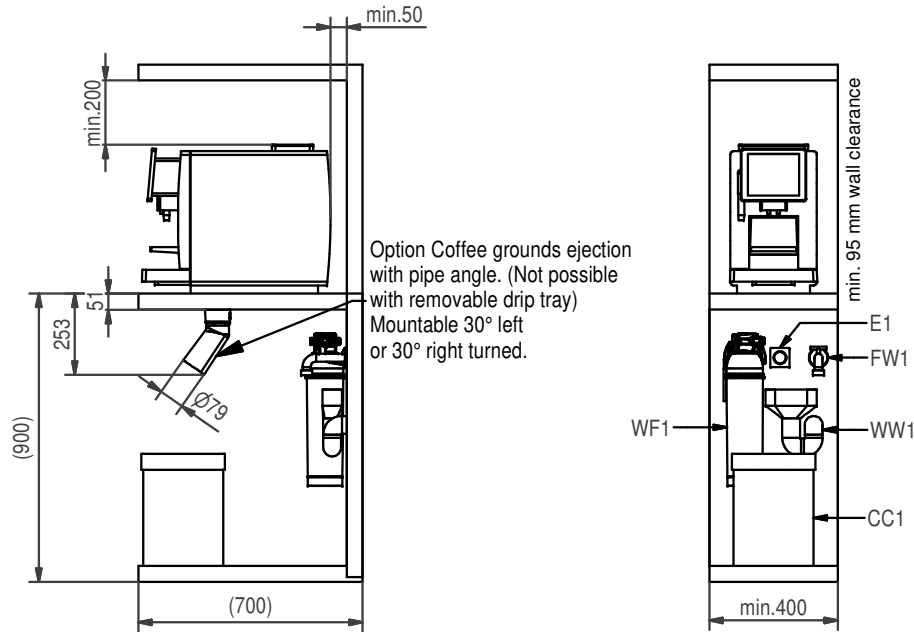
Fresh water: Mains water connection, inlet hose Di8 x 1500 mm; G3/8" union nut

Waste water: Drip tray with drain hose Di16 x 2000 mm
Alternatively:
 Drip tray removable, capacity 2.0 litres (monitored)
 (coffee grounds ejection not possible with removable drip tray)

Franke Kaffeemaschinen AG Franke-Strasse 9 CH-4663 Aarburg Telefon: +41 62 787 3607 E-Mail: kmch@franke.com Internet: www.franke.com	Unit		Scale	Description						
	mm		NTS	TD_A300NM_MS_FM_s_W4_en						
	Drawn	MB002	12.02.2020							
	Modified	MB002	06.03.2020							
Checked				Document ID - Version	Revision	Status	Sheet / Sheets	Format		
<small>These drawings and specifications are the property of Franke Technology and Trademark Ltd. and shall not be reproduced, copied or transferred to any third party without the prior written permission of Franke Technology and Trademark Ltd., Hergiswil, Switzerland</small>				ECN	500000001512	20175000-01		15	1 / 2	A3
				Article Number						

Installation notes on site:

- WW1: DN50 funnel trap ventilated - A300 (A)
for drainage hose
(not required for removable drip tray 2.0 l)
- FW1: Mains water connection G3/8A external thread - A300 (A)
Check valve, filter and aquastop - recommendation
water pressure 80-800 kPa (0,8-8,0 bar)
Flow rate: >0,1l/sec. - water temperatur <25°C
water hardness: 4-8°dH; 7-14fH; 70-140ppm (mg/l)
Carbon hardness: 3-6°dH; 50-105ppm (mg/l) - pH-value: 6,5-7,5
Chlorine content: <0,5mg/l - Chloride content: <30mg/l
Elektrical conductivity: 50-200µs/cm - Iron content: <0,3mg/l
- E1: Soket with RCD (residual current device) - A300 (A)
220-240 VAC, 1LNPE, 2100-2400 W, -, 50-60 Hz, 10 A - CH/GB/EU
100-127 VAC, 1LNPE, 1200-1500 W, -, 60 Hz, 15 A - USA/LATAM
100 VAC, 1LNPE, 1400 W, -, 50-60 Hz, 15 A - JP
- CC1: Option container for coffee-grounds ejection - A300 (A)
(not required for removable drip tray 2.0 l)
- WF1: Option water filter - A300 (A)

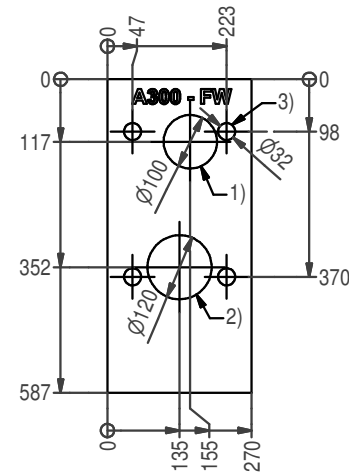


Installation requirements:

Our delivered appliances are ready for operation. They have to be installed on a flat surface. First the preparations for the connections of water and electricity must be complete. Distance max. 1 m up to the device. This preparation-works must be performed by qualified specialists in accordance with applicable regulations. The coffee machine is intended exclusively for operation in interior rooms. Ambient temperatur: 5°C - 32°C. Humidity: max. 80%

Positions:

- Pos. 1) 1x Drilling
- Supply lines - A300 (A)
- Pos. 2) 1x Drilling (Option)
- Coffee-grounds ejection - A300 (A)
(not possible with removable drip tray)
- Pos. 3) 4x Positions for adjustable foot A300(A)
only footprint for option
(foot 40 / 70 / 100 mm)



Franke Kaffeemaschinen AG Franke-Strasse 9 CH-4663 Aarburg Telefon: +41 62 787 3607 E-Mail: kmch@franke.com Internet : www.franke.com	Unit		Scale	Description			
	mm		NTS	TD_A300NM_MS_FM_s_W4_en			
	Drawn	MB002	12.02.2020				
	Modified	MB002	06.03.2020				
Checked							
ECN	500000001512	Document ID - Version		Revision	Status	Sheet / Sheets	Format
Article Number	20175000-01		15		2 / 2	A3	

These drawings and specifications are the property of Franke Technology and Trademark Ltd. and shall not be reproduced, copied or transferred to any third party without the prior written permission of Franke Technology and Trademark Ltd., Hergiswil, Switzerland