

Technical data:

(A) SU03 EC:	220-240 VAC, 1LNPE,	- W, 0,50 A, 50-60 Hz,	- Á - CH/EU/GB
(Net weight 14,5 kg)	110-115 VAC, 1LNPE,	- W, 1,00 A, 60 Hz,	- Á - USA
	100 VAC, 1LNPE,	- W, 0,95 A, 50-60 Hz,	- Á - JP
	220 VAC, 1LNPE,	- W, 0,50 A, 50 Hz,	- Á - CN
(B) A300 MS/FM EC:	220-240 VAC, 1LNPE, 2100-2400 W,	- , 50-60 Hz, 10 Á - CH/GB/EU	
(Net weight 23 kg)	100-127 VAC, 1LNPE, 1200-1500 W,	- , 60 Hz, 15 Á - USA/LATAM	
	100 VAC, 1LNPE, 1400 W,	- , 50-60 Hz, 15 Á - JP	

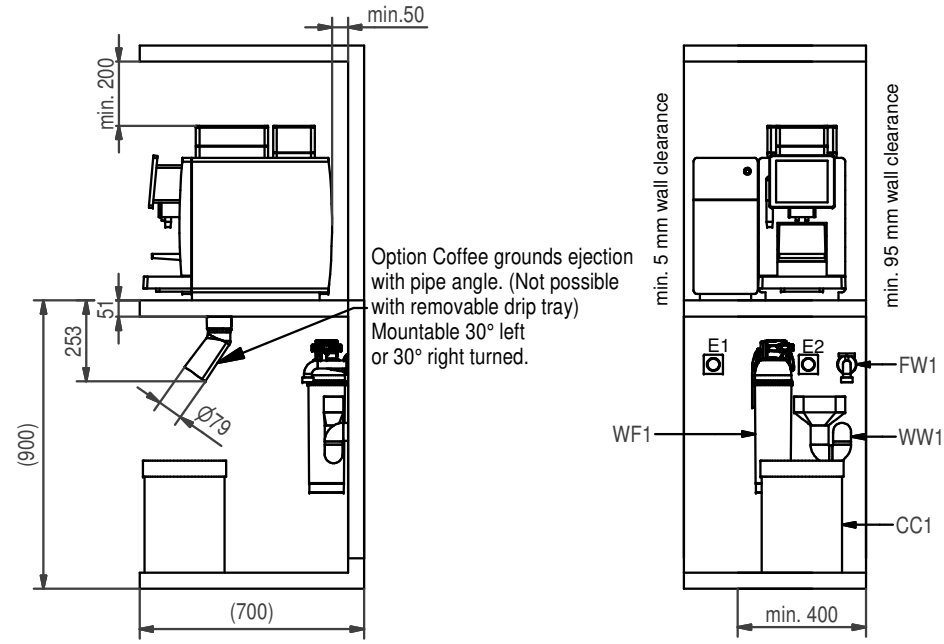
Fresh water: Mains water connection, inlet hose Di8 x 1500 mm; G3/8" union nut

Waste water: Drip tray with drain hose Di16 x 2000 mm  
*Alternatively:*  
 Drip tray removable, capacity 2.0 litres (monitored)  
 (coffee grounds ejection not possible with removable drip tray)

Franke Kaffeemaschinen AG Franke-Strasse 9 CH-4663 Aarburg Telefon: +41 62 787 3607 E-Mail: kmch@franke.com Internet: www.franke.com	Unit		Scale	Description			
	mm		NTS	TD_A300MS_FM_I_W4_SU03_en			
	Drawn	MB002	03.11.2021				
	Modified	MB002	03.11.2021				
Checked							
ECN	500000001512	Document ID - Version		Revision	Status	Sheet / Sheets	Format
Article Number		20218122-01		15	1 / 2	A3	

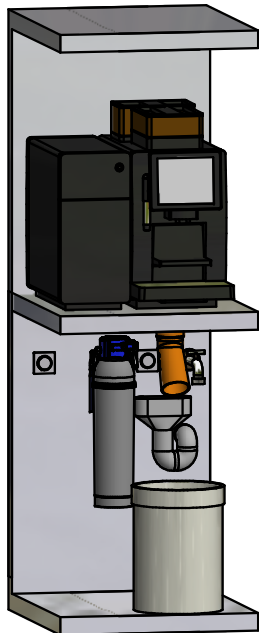
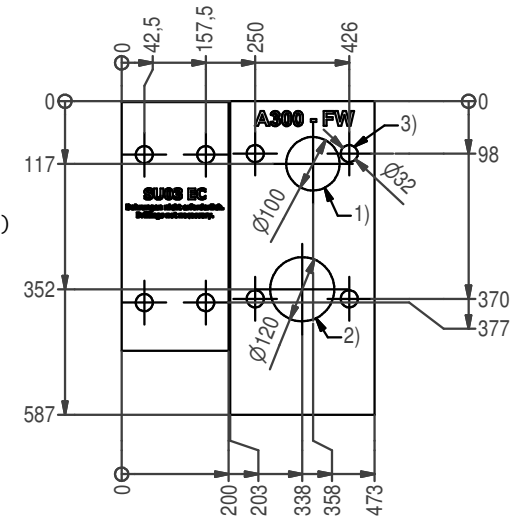
**Installation notes on site:**

- ww1: DN50 funnel trap ventilated - A300 MS/FM EC (B)  
for drainage hose  
(not required for removable drip tray 2.0 l)
- FW1: Mains water connection G3/8A external thread - A300 MS/FM EC (B)  
Check valve, filter and aquastop - recommendation  
water pressure 80-800 kPa (0,8-8,0 bar)  
Flow rate: >0,1l/sec. - Water temperatur <25°C  
water hardness: 4-8°dH; 7-14fH; 70-140ppm (mg/l)  
Carbon hardness: 3-6°dH; 50-105ppm (mg/l) - pH-value: 6,5-7,5  
Chlorine content: <0,5mg/l - Chloride content: <30mg/l  
Elektrical conductivity: 50-200µs/cm - Iron content: <0,3mg/l
- E1: Soket with RCD (residual current device) - SU03 EC (A)  
220-240 VAC, 1L N PE, 10A, 50-60 Hz - EU  
110-115 VAC, 1L N PE, 15A, 60 Hz - US  
100 VAC, 1L N PE, 15A, 50-60 Hz - JP  
220 VAC, 1L N PE, 10A, 50 Hz - CN
- E2: Soket with RCD (residual current device) - A300 MS/FM EC (B)  
220-240 VAC, 1L N PE, 2100-2400 w, -, 50-60 Hz, 10 A - CH/GB/EU  
100-127 VAC, 1L N PE, 1200-1500 w, -, 60 Hz, 15 A - USA/LATAM  
100 VAC, 1L N PE, 1400 w, -, 50-60 Hz, 15 A - JP
- CC1: Option container for coffee-grounds ejection - A300 MS/FM EC (B)  
(not required for removable drip tray 2.0 l)
- WF1: Option water filter - A300 MS/FM EC (B)



**Positions:**

- Pos. 1) 1x Drilling  
- Supply lines  
SU03(A), A300(B)
- Pos. 2) 1x Drilling (Option)  
- Coffee-grounds ejection - A300 (B)  
(not possible with removable drip tray)
- Pos. 3) 8x Positions for adjustable foot A300(B)  
only footprint for option  
foot 40 / 70 / 100 mm)



**Installation requirements:**

Our delivered appliances are ready for operation. They have to be installed on a flat surface. First the preparations for the connections of water and electricity must be complete. Distance max. 1 m up to the device. This preparation-works must be performed by qualified specialists in accordance with applicable regulations. The coffee machine is intended exclusively for operation in interior rooms.  
Ambient temperatur: 5°C - 32°C.  
Humidity: max. 80%

Franke Kaffeemaschinen AG Franke-Strasse 9 CH-4663 Aarburg Telefon: +41 62 787 3607 E-Mail: kmch@franke.com Internet : www.franke.com	Unit	mm	Scale	NTS	Description				
	Drawn	MB002	03.11.2021		TD_A300MS_FM_I_W4_SU03_en				
	Modified	MB002	03.11.2021						
	Checked								
ECN	500000001512	Document ID - Version			Revision	Status	Sheet / Sheets	Format	
Article Number		20218122-01				15	2 / 2	A3	