

Technical data:

(A) KE200 EC:	220-240 VAC, 1LNPE,	82 W,	- A, 50-60 Hz, 10 A
(Net weight 13 kg)	110 VAC, 1LNPE,	- W, 1,50 A,	60 Hz, - A
	100 VAC, 1LNPE,	- W, 1,50 A,	50-60 Hz, - A
(B) A300 MS/FM EC:	220-240 VAC, 1LNPE, 2100-2400 W,	- , 50-60 Hz, 10 A	- CH/GB/EU
(Net weight 23 kg)	100-127 VAC, 1LNPE, 1200-1500 W,	- , 60 Hz, 15 A	- USA/LATAM
	100 VAC, 1LNPE, 1400 W,	- , 50-60 Hz, 15 A	- JP

Fresh water: Mains water connection, inlet hose Di8 x 1500 mm; G3/8" union nut

Waste water: Drip tray with drain hose Di16 x 2000 mm

Alternatively:

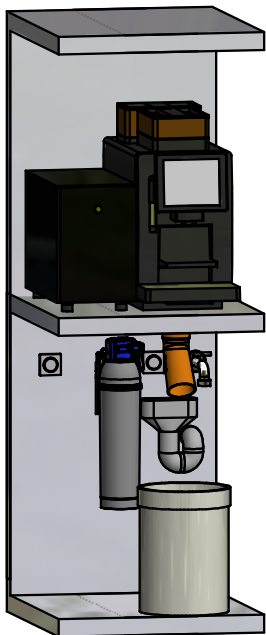
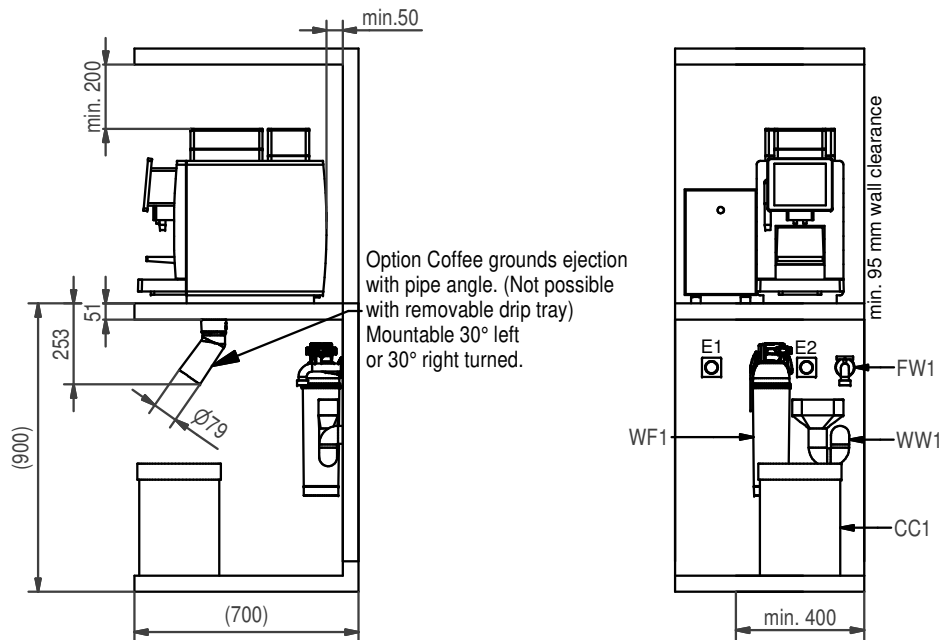
Drip tray removable, capacity 2.0 litres (monitored)
(coffee grounds ejection not possible with removable drip tray)

Franke Kaffeemaschinen AG Franke-Strasse 9 CH-4663 Aarburg Telefon: +41 62 787 3607 E-Mail: kmch@franke.com Internet: www.franke.com	Unit		Scale	TD_A300MS_FM_I_W4_KE200_en Document ID - Version 20174984-01	Revision	Status	Sheet / Sheets	Format
	Drawn	MB002	12.02.2020					
	Modified	MB002	06.03.2020					
	Checked							
ECN	500000001512		Document ID - Version	Revision	Status	Sheet / Sheets	Format	
Article Number			20174984-01	15	1 / 2	A3		

These drawings and specifications are the property of Franke Technology and Trademark Ltd. and shall not be reproduced, copied or transferred to any third party without the prior written permission of Franke Technology and Trademark Ltd., Heggen, Switzerland

Installation notes on site:

- WW1: DN50 funnel trap ventilated - A300 MS/FM EC (B)
for drainage hose
(not required for removable drip tray 2.0 l)
- FW1: Fixed water connection G3/8A external thread - A300 MS/FM EC (B)
Check valve, filter and aquastop - recommendation
water pressure 80-800 kPa (0,8-8,0 bar)
Flow rate: >0,1l/sec. - water temperatur <25°C
Water hardness: 4-8°dH; 7-14fH; 70-140ppm (mg/l)
Carbon hardness: 3-6°dH; 50-105ppm (mg/l) - pH-value: 6,5-7,5
Chlorine content: <0,5mg/l - Chloride content: <30mg/l
Elektrical conductivity: 50-200µs/cm - Iron content: <0,3mg/l
- E1: Soket with RCD (residual current device) - KE200 EC (A)
220-240 VAC, 1L N PE, 82 W, -, 50-60 Hz, 10 Á
110 VAC, 1L N PE, - W, 1,5 A, 60 Hz
100 VAC, 1L N PE, - W, 1,5 A, 50-60 Hz
- E2: Soket with RCD (residual current device) - A300 MS/FM EC (B)
220-240 VAC, 1L N PE, 2100-2400 W, -, 50-60 Hz, 10 Á - CH/GB/EU
100-127 VAC, 1L N PE, 1200-1500 W, -, 60 Hz, 15 Á - USA/LATAM
100 VAC, 1L N PE, 1400 W, -, 50-60 Hz, 15 Á - JP
- CC1: Option container for coffee-grounds ejection - A300 MS/FM EC (B)
(not required for removable drip tray 2.0 l)
- WF1: Option water filter - A300 MS/FM EC (B)



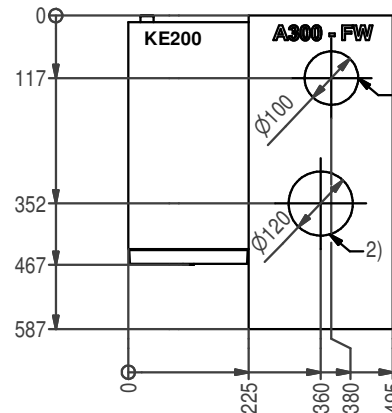
Installation requirements:

Our delivered appliances are ready for operation. They have to be installed on a flat surface. First the preparations for the connections of water and electricity must be complete. Distance max. 1 m up to the device. This preparation-works must be performed by qualified specialists in accordance with applicable regulations. The coffee machine is intended exclusively for operation in interior rooms.
Ambient temperatur: 5°C - 32°C.
Humidity: max. 80%

Positions:

- Pos. 1) 1x Drilling
- Supply lines
A300(B), KE200(A)
- Pos. 2) 1x Drilling (Option)
- Coffee-grounds ejection - A300 (B)
(not possible with removable drip tray)

Adjustabel feet are in this combination not possible!



Franke Kaffeemaschinen AG Franke-Strasse 9 CH-4663 Aarburg Telefon: +41 62 787 3607 E-Mail: kmch@franke.com Internet: www.franke.com	Unit		Scale	Description			
	Drawn	MB002	NTS	TD_A300MS_FM_I_W4_KE200_en			
	Modified	MB002	06.03.2020				
	Checked						
ECN	500000001512	Document ID - Version		Revision	Status	Sheet / Sheets	Format
Article Number		20174984-01		15	2 / 2	A3	

These drawings and specifications are the property of Franke Technology and Trademark Ltd. and shall not be reproduced, copied or transferred to any third party without the prior written permission of Franke Technology and Trademark Ltd., Heggen, Switzerland