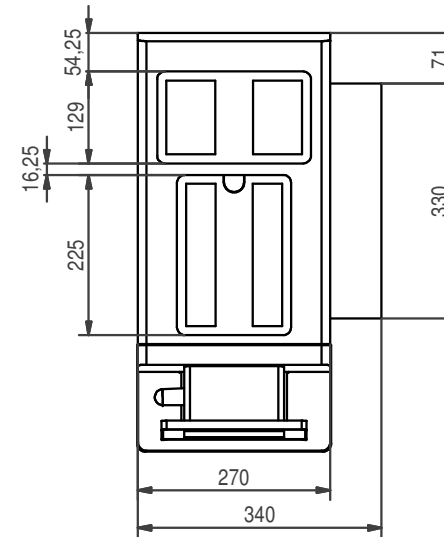


(A)



Technical data:

(A) A300: 220-240 VAC, 1L N PE, 2100-2400 W, -, 50-60 HZ, 10 A - CH/GB/EU
 (Net weight 28 kg) 100-127 VAC, 1L N PE, 1200-1500 W, -, 60 HZ, 15 A - USA/LATAM
 100 VAC, 1L N PE, 1400 W, -, 50-60 HZ, 15 A - JP

Fresh water: Internal water tank, 4.8 litres (monitored)

Waste water: Drip tray removable, capacity 2.0 liters (monitored)
alternatively:
 Drip tray with drain hose Di20 x 2000 mm

Franke Kaffeemaschinen AG Franke-Strasse 9 CH-4663 Aarburg Telefon: +41 62 787 3607 E-Mail: kmch@franke.com Internet: www.franke.com	Unit		Scale	Description						
	Drawn	MB002	NTS	TD_A300NM_MS_FM_I_W3_en						
	Modified	MB002	06.03.2020							
	Checked									
<small>These drawings and specifications are the property of Franke Technology and Trademark Ltd. and shall not be reproduced, copied or transferred to any third party without the prior written permission of Franke Technology and Trademark Ltd., Hergiswil, Switzerland</small>				ECN	500000001512	Document ID - Version	Revision	Status	Sheet / Sheets	Format
				Article Number		20175020-01		15	1 / 2	A3

Installation notes on site:

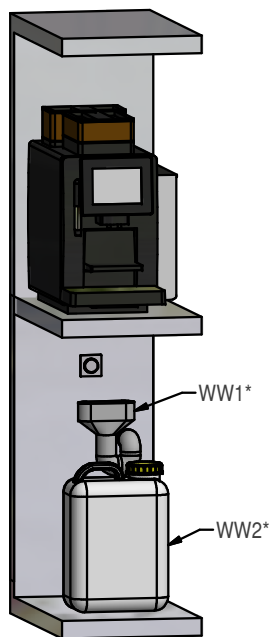
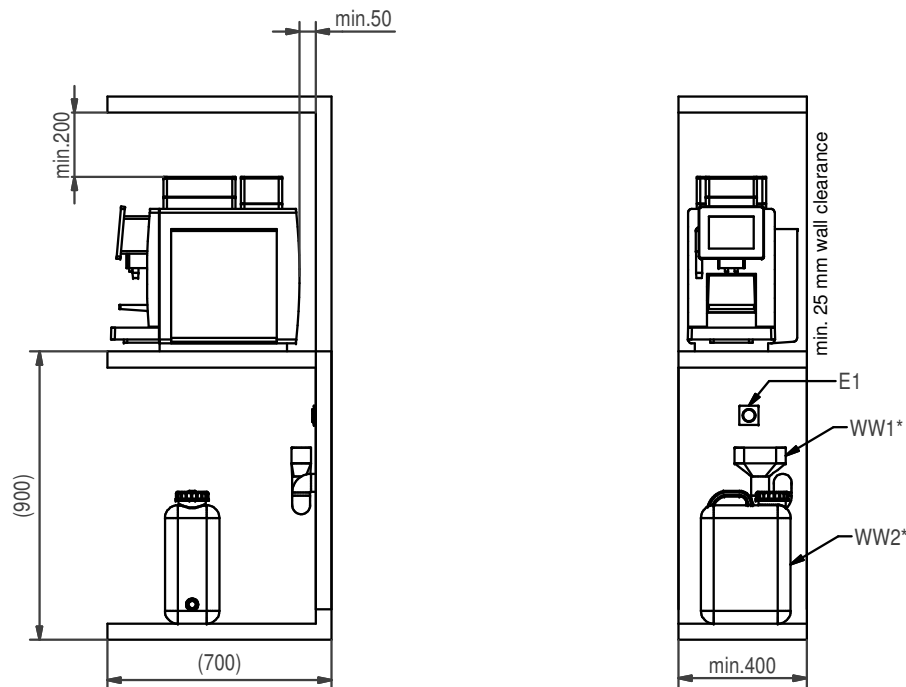
E1: Soket with RCD (residual current device) - A300 (A)

220-240 VAC, 1LNPE, 2100-2400 W, -, 50-60 Hz, 10 A - CH/GB/EU
 100-127 VAC, 1LNPE, 1200-1500 W, -, 60 Hz, 15 A - USA/LATAM
 100 VAC, 1LNPE, 1400 W, -, 50-60 Hz, 15 A - JP

Optional for drip tray with drain hose:

WW1*: DN50 funnel siphon ventilated
alternatively:

WW2*: Wastewater tank 16 litres, monitored
 (can be ordered as an accessory)



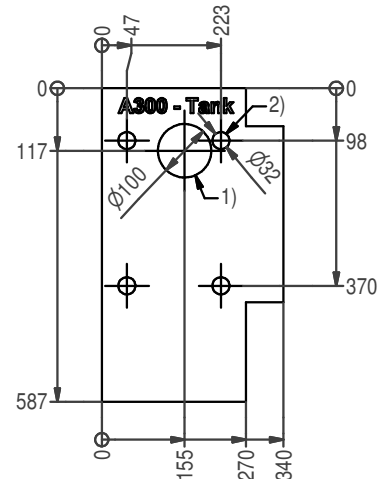
Installation requirements:

Our delivered appliances are ready for operation. They have to be installed on a flat surface. First the preparations for the connections of water and electricity must be complete. Distance max. 1 m up to the device. This preparation-works must be performed by qualified specialists in accordance with applicable regulations. The coffee machine is intended exclusively for operation in interior rooms.
 Ambient temperatur: 5°C - 32°C.
 Humidity: max. 80%

Positions:

Pos. 1) 1x Drilling
 - Supply lines - A300 (A)
 (not required for electrical connection above the counter and removable drip tray with level monitoring)

Pos. 2) 4x Positions for adjustable foot A300(A)
 only footprint for option
 (foot 40 / 70 / 100 mm)



Franke Kaffeemaschinen AG Franke-Strasse 9 CH-4663 Aarburg Telefon: +41 62 787 3607 E-Mail: kmch@franke.com Internet: www.franke.com	Unit		Scale	Description						
	mm		NTS	TD_A300NM_MS_FM_I_W3_en						
	Drawn	MB002	12.02.2020	ECN	500000001512	Document ID - Version	Revision	Status	Sheet / Sheets	Format
	Modified	MB002	06.03.2020	Article Number	20175020-01	20175020-01	15	2 / 2	A3	