

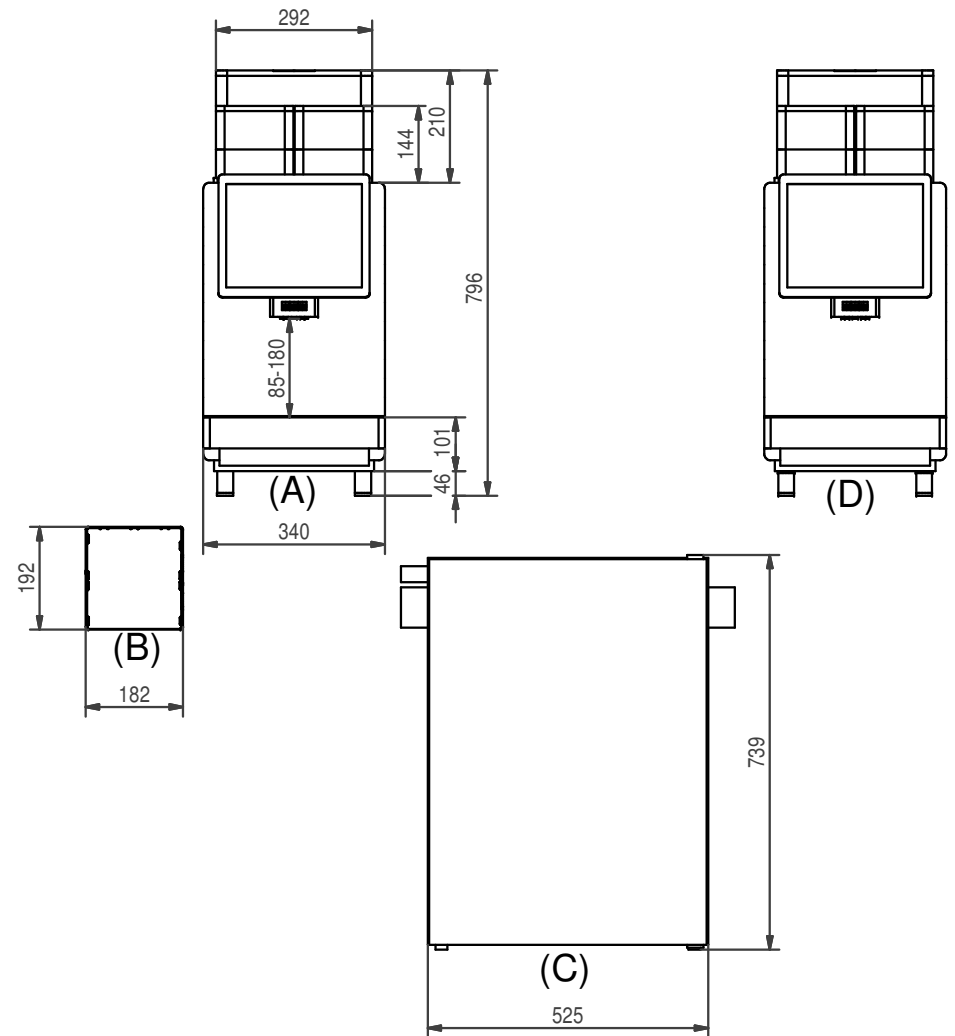
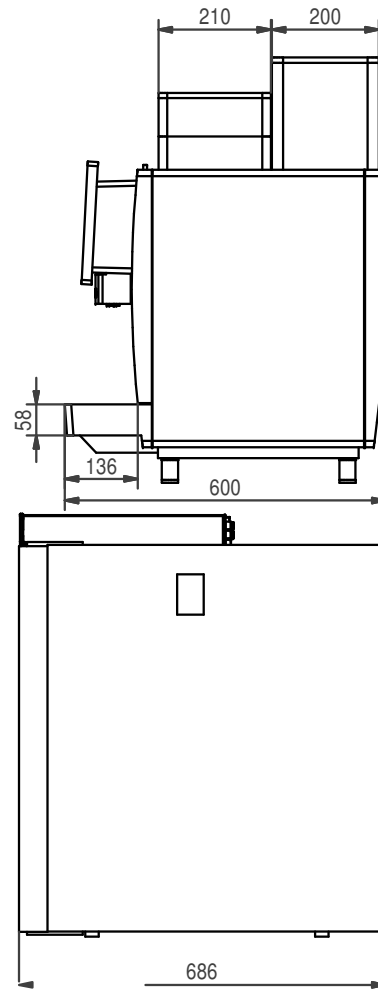
Devices heights:

with feet 7 mm (Standard):
Height 750 + 7 = 757

with feet 40 mm (Supplied):
Height 750 + 46 = 796

Adjustable feet 70 mm (Option):
Height 750 + 71 = 821 (to 831)

Adjustable feet 100 mm (Option):
Height 750 + 100 = 850 (to 860)



Technical Data:

(A)+(D) SB1200 FM CM (Net weight 58 kg):

- 380-415 V, 3LNPE, 6500-7800 W, 50-60 Hz, 16 A - (CH/GB/EU)
- 220-240 V, 1LNPE, 2400-2900 W, 50-60 Hz, 16 A - (CH/GB/EU)
- 220-240 V, 1LNPE, 4700-5600 W, 50-60 Hz, 30 A - (CH/GB/EU)
- 200-220 V, 2L PE, 4700-5700 W, 50-60 Hz, 30 A - (USA/LATAM/JP)
- 220-240 V, 3L PE, 6500-7800 W, 50-60 Hz, 30 A - (CH/GB/EU)

Mains water connection: Inlet hose 8 x 1500 mm, union nut G3/8"
waste water hose 20 x 2000 mm

(B) CM-Module (Net weight 2 kg):

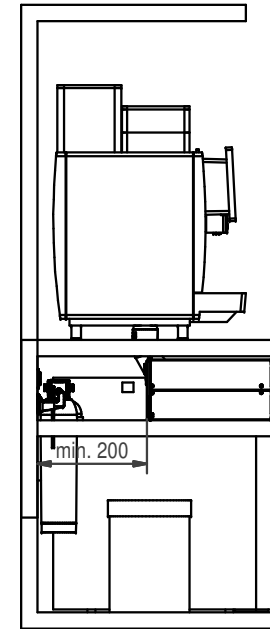
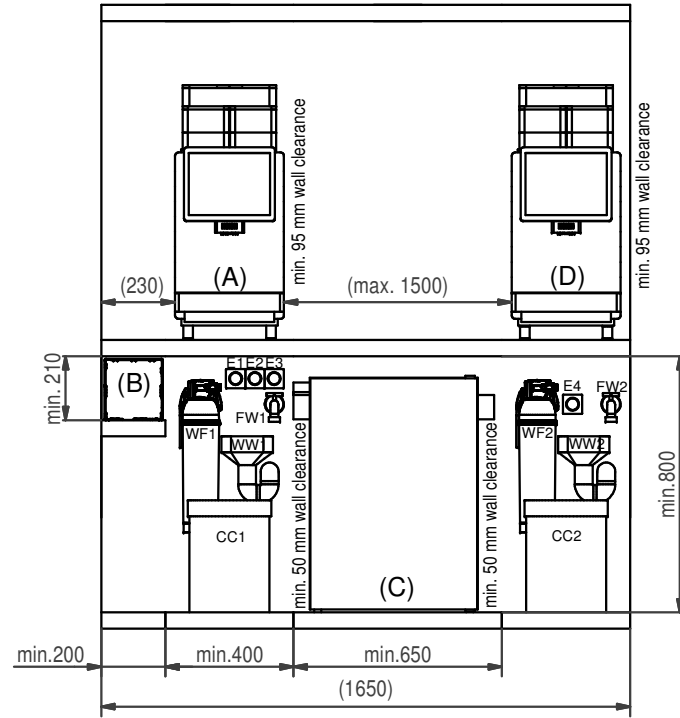
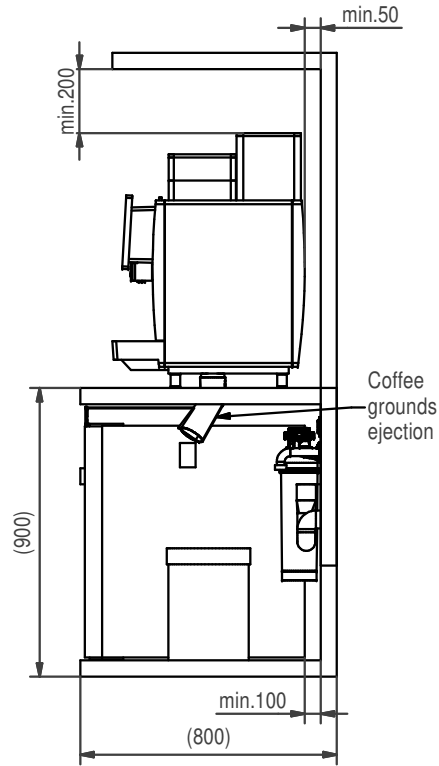
- 220-240 V, 1LNPE, 45 W, 50-60 Hz, 10 A - (CH/GB/EU)
- 100 V, 1LNPE, 45 W, 50-60 Hz, 10 A - (JP)
- 100-127 V, 1LNPE, 45 W, 50-60 Hz, 10 A - (USA/LATAM)

(C) UT40 (Net weight 35 kg):

- 220-240 V, 1L N PE, 255 W, 0,72A, 50-60 Hz, 10 A - (CH/GB/EU)
- 100 V, 1L N PE, 255 W, 1,70A, 50-60 Hz, 10 A - (JP)
- 100-127 V, 1L N PE, 255 W, 0,80A, 50-60 Hz, 10 A - (USA/LATAM)

<p>FRANKE Franke Kaffeemaschinen AG Franke-Strasse 9 CH-4663 Aarburg Telefon: +41 62 787 3607 E-Mail: kmch@franke.com Internet: www.franke.com</p>	Unit	Scale	Description				
	mm	NTS	TD_SB1200FMCM_Twin_UT40_en				
	Drawn	MB002	20.07.2021				
	Modified	MB002	20.07.2021				
Checked							
ECN	500000001512	Document ID - Version		Revision	Status	Sheet / Sheets	Format
Article Number		20213216-01		15	1 / 4	A3	

These drawings and specifications are the property of Franke Technology and Trademarks Ltd. and shall not be reproduced, copied or transferred to any third party without the prior written permission of Franke Technology and Trademarks Ltd., Hergiswil, Switzerland



Installation notes on site:

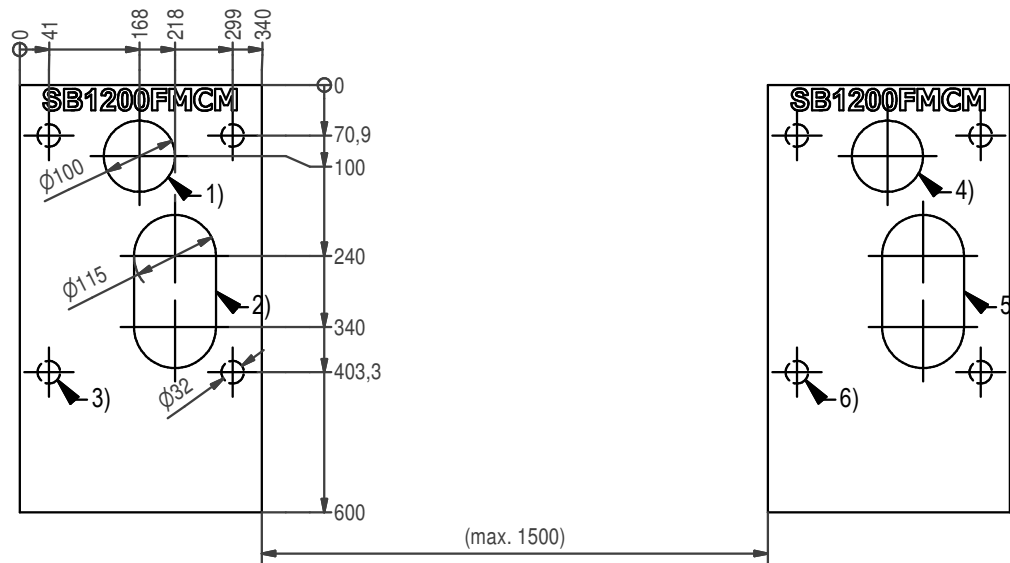
- ww1: Waste water - DN50 funnel trap ventilated - SB1200 FM (A)
- ww2: Waste water - DN50 funnel trap ventilated - SB1200 FM (D)
- FW1: Mains water connection G3/8A external thread - SB1200 FM (A)
 Check valve, filter and aquastop - recommendation
 Water pressure 80-800 kPa (0,8-8,0 bar)
 Flow rate: >0,1l/sec. - Water temperatur <25°C
 Water hardness: 4-8°dH; 7-14fH; 70-140ppm (mg/l)
 Carbon hardness: 3-6°dH; 50-105ppm (mg/l) - pH-value: 6,5-7,5
 Chlorine content: <0,5mg/l - Chloride content: <30mg/l
 Elektrical conductivity: 50-200µS/cm - Iron content: <0,3mg/l
- FW2: Fixed water connection G3/8A external thread - SB1200 FM (D)
 Check valve, filter and aquastop - recommendation
 Water pressure 80-800 kPa (0,8-8,0 bar)
 Flow rate: >0,1l/sec. - Water temperatur <25°C
 Water hardness: 4-8°dH; 7-14fH; 70-140ppm (mg/l)
 Carbon hardness: 3-6°dH; 50-105ppm (mg/l) - pH-value: 6,5-7,5
 Chlorine content: <0,5mg/l - Chloride content: <30mg/l
 Elektrical conductivity: 50-200µS/cm - Iron content: <0,3mg/l
- E1: Soket with RCD (residual current device) - CB1200 FM (A)
 380-415 V, 3LNPE, 6500-7800 W, 50-60 HZ, 16 A - (CH/GB/EU)
 220-240 V, 1LNPE, 2400-2900 W, 50-60 HZ, 16 A - (CH/GB/EU)
 220-240 V, 1LNPE, 4700-5600 W, 50-60 HZ, 30 A - (CH/GB/EU)
 200-220 V, 2L PE, 4700-5700 W, 50-60 HZ, 30 A - (USA/LATAM/JP)
 220-240 V, 3L PE, 6500-7800 W, 50-60 HZ, 30 A - (CH/GB/EU)

- E2: Soket with RCD (residual current device) - CM-Modul (B)
 220-240 V, 1LNPE, 45 W, 50-60 HZ, 10 A - (CH/GB/EU)
 100 V, 1LNPE, 45 W, 50-60 HZ, 10 A - (JP)
 100-127 V, 1LNPE, 45 W, 50-60 HZ, 10 A - (USA/LATAM)
- E3: Soket with RCD (residual current device) - UT40 (C)
 220-240 V, 1LNPE, 255 W, 0,72A, 50-60 HZ, 10 A - (CH/GB/EU)
 100 V, 1LNPE, 255 W, 1,70A, 50-60 HZ, 10 A - (JP)
 100-127 V, 1LNPE, 255 W, 0,80A, 50-60 HZ, 10 A - (USA/LATAM)
- E4: Soket with RCD (residual current device) - CB1200 FM (D)
 380-415 V, 3LNPE, 6500-7800 W, 50-60 HZ, 16 A - (CH/GB/EU)
 220-240 V, 1LNPE, 2400-2900 W, 50-60 HZ, 16 A - (CH/GB/EU)
 220-240 V, 1LNPE, 4700-5600 W, 50-60 HZ, 30 A - (CH/GB/EU)
 200-220 V, 2L PE, 4700-5700 W, 50-60 HZ, 30 A - (USA/LATAM/JP)
 220-240 V, 3L PE, 6500-7800 W, 50-60 HZ, 30 A - (CH/GB/EU)
- CC1: Option container for coffee-grounds ejection - SB1200 FM (A)
- CC2: Option container for coffee-grounds ejection - SB1200 FM (D)
- WF1: Option water filter - SB1200 FM (A)
- WF2: Option water filter - SB1200 FM (D)

<p>FRANKE Franke Kaffeemaschinen AG Franke-Strasse 9 CH-4663 Aarburg Telefon: +41 62 787 3607 E-Mail: kmch@franke.com Internet: www.franke.com</p>	Unit		Scale	Description TD_SB1200FMCM_Twin_UT40_en			
	mm	NTS	NTS				
	Drawn	MB002	20.07.2021				
	Modified	MB002	20.07.2021				
Checked							
ECN	500000001512	Document ID - Version		Revision	Status	Sheet / Sheets	Format
Article Number		20213216-01			15	2 / 4	A3

These drawings and specifications are the property of Franke Technology and Trademark Ltd. and shall not be reproduced, copied or transferred to any third party without the prior written permission of Franke Technology and Trademark Ltd., Hergiswil, Switzerland

Counter drillings and equipment feet positions



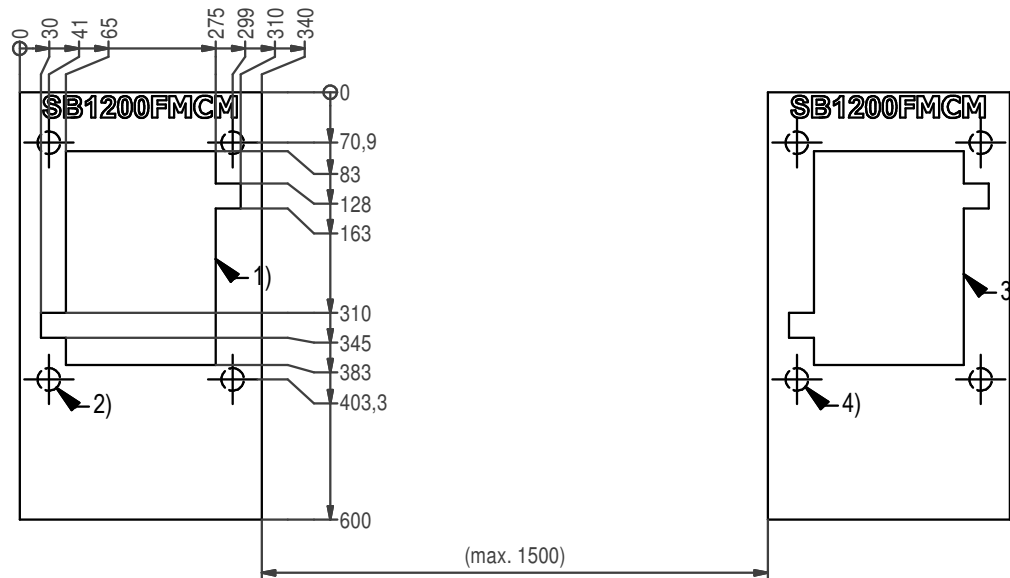
Installation with device base 40, 70 or 100 mm

Positions SB1200 left:

- Pos. 1) 1x Drilling - Supply lines
 - SB1200(A) CM1(B) UT40(C)
- Pos. 2) 1x Drilling - Coffee grounds ejection (Option)
 - SB1200 (A)
- Pos. 3) 4x Surface - Equipment feet
 - SB1200 (A)

Positions SB1200 right:

- Pos. 4) 1x Drilling - Supply lines
 - SB1200 (D) CM1(B) UT40(C)
- Pos. 5) 1x Drilling - Coffee grounds ejection (Option)
 - SB1200 (D)
- Pos. 6) 4x Surface - Equipment feet
 - SB1200 (D)



Installation with device base 7 mm and mould seal

Positions SB1200 left:

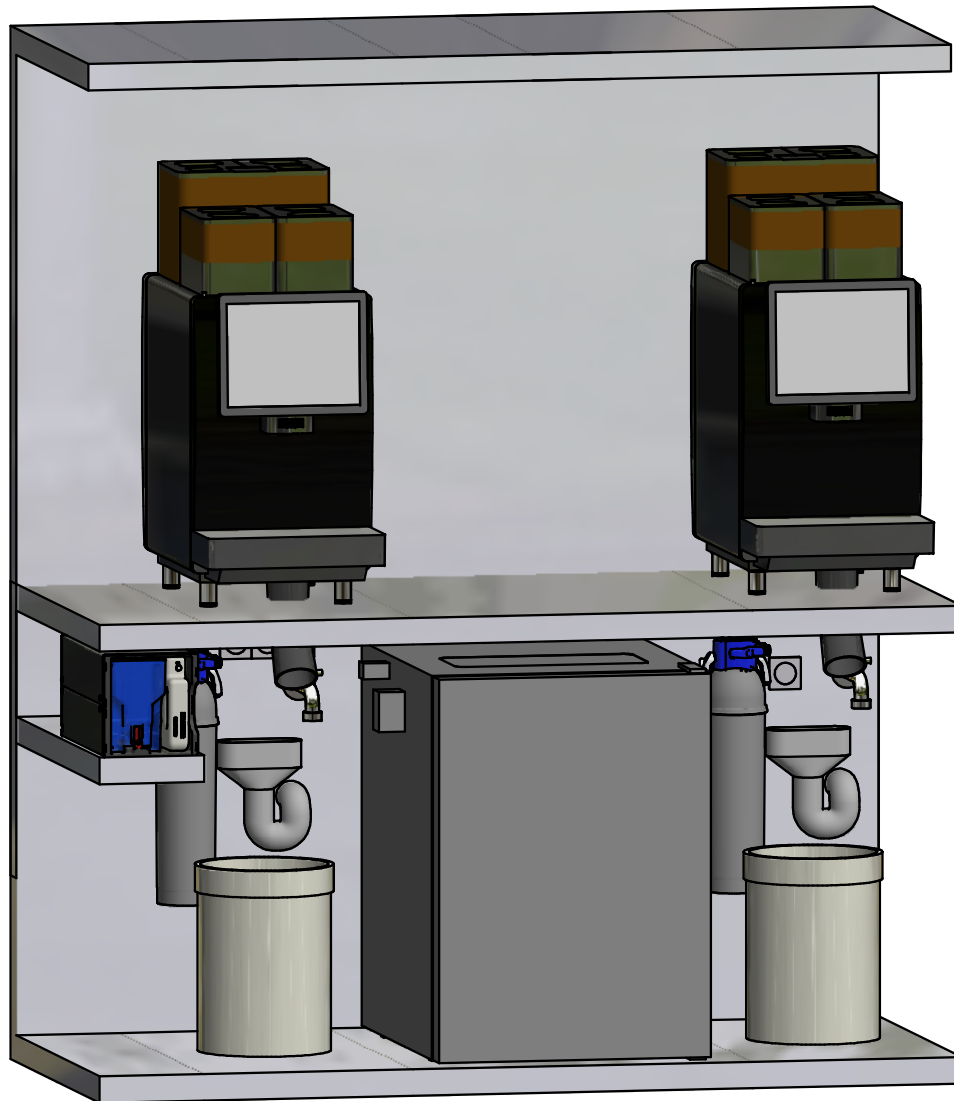
- Pos. 1) 1x Drilling - Supply lines
 - SB1200(A) CM1(B) UT40(C)
 - Coffee grounds ejection (Option)
 - SB1200 (A)
- Pos. 2) 4x Surface - Equipment feet
 - SB1200 (A)

Positions SB1200 right:

- Pos. 3) 1x Drilling - Supply lines
 - SB1200 (D) CM1(B) UT40(C)
 - Coffee grounds ejection (Option)
 - SB1200 (D)
- Pos. 4) 4x Surface - Equipment feet
 - SB1200 (D)

FRANKE Franke Kaffeemaschinen AG Franke-Strasse 9 CH-4663 Aarburg Telefon: +41 62 787 3607 E-Mail: kmch@franke.com Internet: www.franke.com	Unit	Scale	Description				
	mm	NTS	TD_SB1200FMCM_Twin_UT40_en				
	Drawn	MB002	20.07.2021				
	Modified	MB002	20.07.2021				
Checked							
ECN	500000001512	Document ID - Version		Revision	Status	Sheet / Sheets	Format
Article Number		20213216-01				15 / 3 / 4	A3

These drawings and specifications are the property of Franke Technology and Trademarks Ltd. and shall not be reproduced, copied or transferred to any third party without the prior written permission of Franke Technology and Trademark Ltd., Heggen, Switzerland



Installation requirements:

Our delivered appliances are ready for operation. They have to be installed on a flat surface. First the preparations for the connections of water and electricity must be complete. Distance max. 1 m up to the device. This preparation-works must be performed by qualified specialists in accordance with applicable regulations. The coffee machine is intended exclusively for operation in interior rooms.

Ambient temperatur: 5°C - 32°C.

Humidity: max. 80%

For the cooling unit placed under the counter a sufficient ventilation must be ensured. Do not exceed the maximum length of 1.5 m of media lines leading from the fridge to the coffee machine.

FRANKE Franke Kaffeemaschinen AG Franke-Strasse 9 CH-4663 Aarburg Telefon: +41 62 787 3607 E-Mail: kmch@franke.com Internet: www.franke.com	Unit		Scale	Description				
	mm		NTS	TD_SB1200FMCM_Twin_UT40_en				
	Drawn	MB002	20.07.2021					
	Modified	MB002	20.07.2021					
Checked								
ECN	500000001512	Document ID - Version		Revision	Status	Sheet / Sheets	Format	
Article Number			20213216-01		15	4 / 4	A3	

These drawings and specifications are the property of Franke Technology and Trademark Ltd. and shall not be reproduced, copied or transferred to any third party without the prior written permission of Franke Technology and Trademark Ltd., Heggen, Switzerland