

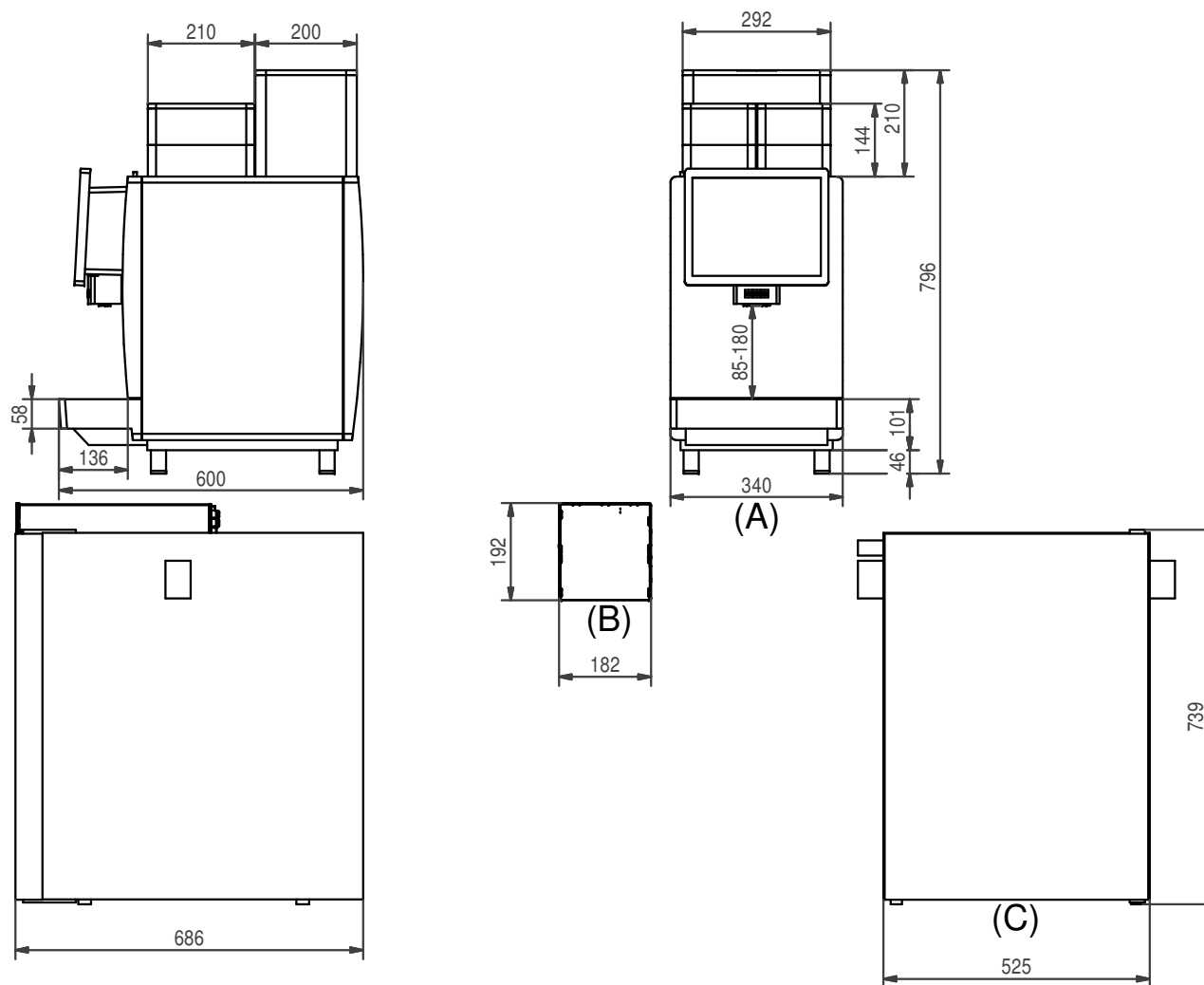
**Devices heights:**

with feet 7 mm (Standard):  
Height 750 + 7 = 757

with feet 40 mm (Supplied):  
Height 750 + 46 = 796

Adjustable feet 70 mm (Option):  
Height 750 + 71 = 821 (to 831)

Adjustable feet 100 mm (Option):  
Height 750 + 100 = 850 (to 860)

**Technical Data:**

- (A) SB1200 FM CM (Net weight 58 kg):  
 380-415 V, 3LNPE, 6500-7800 W, 50-60 Hz, 16 A - (CH/GB/EU)  
 220-240 V, 1LNPE, 2400-2900 W, 50-60 Hz, 16 A - (CH/GB/EU)  
 220-240 V, 1LNPE, 4700-5600 W, 50-60 Hz, 30 A - (CH/GB/EU)  
 200-220 V, 2L PE, 4700-5700 W, 50-60 Hz, 30 A - (USA/LATAM/JP)  
 220-240 V, 3L PE, 6500-7800 W, 50-60 Hz, 30 A - (CH/GB/EU)

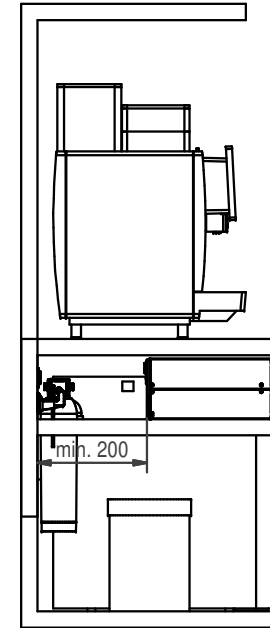
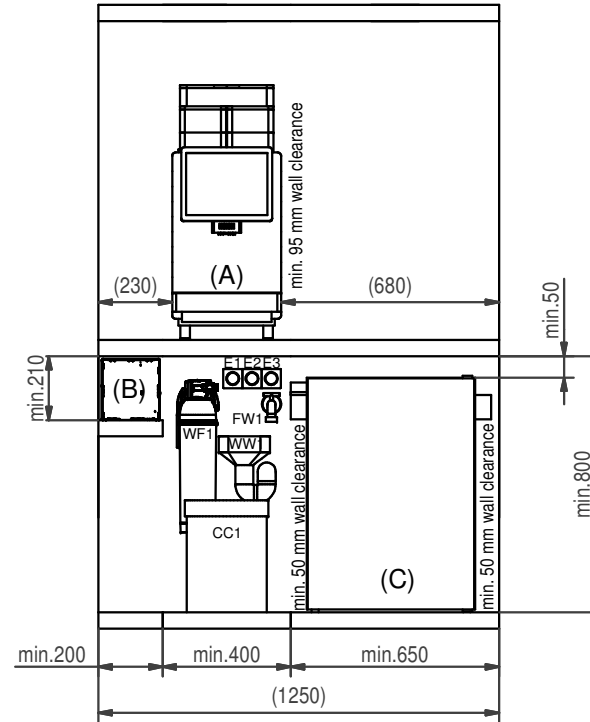
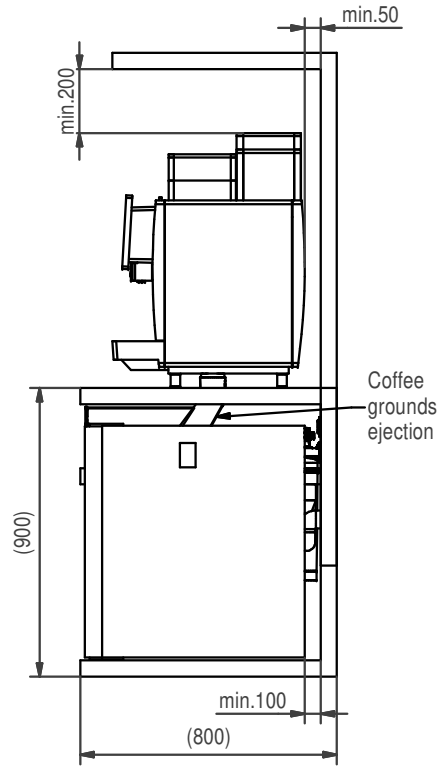
Mains water connection: Inlet hose 8 x 1500 mm, union nut G3/8"  
 waste water hose 20 x 2000 mm

- (B) CM-Modul (Net weight 2 kg):  
 220-240 V, 1LNPE, 45 W, 50-60 Hz, 10 A - (CH/GB/EU)  
 100 V, 1LNPE, 45 W, 50-60 Hz, 10 A - (JP)  
 100-127 V, 1LNPE, 45 W, 50-60 Hz, 10 A - (USA/LATAM)

- (C) UT40 (Net weight 35 kg):  
 220-240 V, 1LNPE, 255 W, 0,72A, 50-60 Hz, 10 A - (CH/GB/EU)  
 100 V, 1LNPE, 255 W, 1,70A, 50-60 Hz, 10 A - (JP)  
 100-127 V, 1LNPE, 255 W, 0,80A, 50-60 Hz, 10 A - (USA/LATAM)

<b>FRANKE</b> Franke Kaffeemaschinen AG Franke-Strasse 9 CH-4663 Aarburg Telefon: +41 62 787 3607 E-Mail: kmch@franke.com Internet: www.franke.com	Unit	Scale	Description			
	mm	NTS	TD_SB1200FMCM_UT40_en			
	Drawn	MB002	20.07.2021			
	Modified	MB002	20.07.2021			
Checked						
ECN	500000001512	Document ID - Version	Revision	Status	Sheet / Sheets	Format
Article Number		20213210-01	15	1 / 4	A3	

These drawings and specifications are the property of Franke Technology and Trademark Ltd. and shall not be reproduced, copied or transferred to any third party without the prior written permission of Franke Technology and Trademark Ltd., Hergiswil, Switzerland



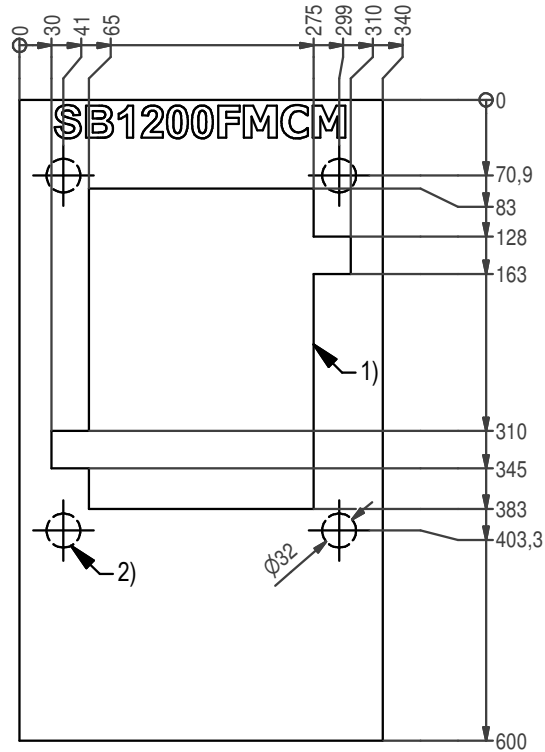
**Installation notes on site:**

- ww1: waste water - DN50 funnel trap ventilated - SB1200 FM (A)  
for drainage hose
- FW1: Mains water connection G3/8A external thread - SB1200 FM (A)  
Check valve, filter and aquastop - recommendation  
Water pressure 80-800 kPa (0,8-8,0 bar)  
Flow rate: >0,1l/sec. - Water temperatur <25°C  
Water hardness: 4-8°dH; 7-14fH; 70-140ppm (mg/l)  
Carbon hardness: 3-6°dH; 50-105ppm (mg/l) - pH-value: 6,5-7,5  
Chlorine content: <0,5mg/l - Chloride content: <30mg/l  
Elektrical conductivity: 50-200µs/cm - Iron content: <0,3mg/l
- E1: Soket with RCD (residual current device) - CB1200 FM (A)  
380-415 V, 3LNPE, 6500-7800 W, 50-60 Hz, 16 A - (CH/GB/EU)  
220-240 V, 1LNPE, 2400-2900 W, 50-60 Hz, 16 A - (CH/GB/EU)  
220-240 V, 1LNPE, 4700-5600 W, 50-60 Hz, 30 A - (CH/GB/EU)  
200-220 V, 2L PE, 4700-5700 W, 50-60 Hz, 30 A - (USA/LATAM/JP)  
220-240 V, 3L PE, 6500-7800 W, 50-60 Hz, 30 A - (CH/GB/EU)
- E2: Soket with RCD (residual current device) - CM-Modul (B)  
220-240 V, 1LNPE, 45 W, 50-60 Hz, 10 A - (CH/GB/EU)  
100 V, 1LNPE, 45 W, 50-60 Hz, 10 A - (JP)  
100-127 V, 1LNPE, 45 W, 50-60 Hz, 10 A - (USA/LATAM)
- E3: Soket with RCD (residual current device) - UT40 (C)  
220-240 V, 1LNPE, 255 W, 0,72A, 50-60 Hz, 10 A - (CH/GB/EU)  
100 V, 1LNPE, 255 W, 1,70A, 50-60 Hz, 10 A - (JP)  
100-127 V, 1LNPE, 255 W, 0,80A, 50-60 Hz, 10 A - (USA/LATAM)
- CC1: Option container for coffee-grounds ejection - SB1200 FM (A)
- WF1: Option water filter - SB1200 FM (A)

<p>Fränke Kaffeemaschinen AG Fränke-Strasse 9 CH-4663 Aarburg Telefon: +41 62 787 3607 E-Mail: kmch@franke.com Internet: www.franke.com</p> <p><small>These drawings and specifications are the property of Franke Technology and Trademarks Ltd. and shall not be reproduced, copied or transferred to any third party without the prior written permission of Franke Technology and Trademarks Ltd., Hergiswil, Switzerland</small></p>	Unit		Scale	Description <b>TD_SB1200FMCM_UT40_en</b>	Revision	Status	Sheet / Sheets	Format
	mm		NTS					
	Drawn	MB002	20.07.2021					
	Modified	MB002	20.07.2021					
Checked				Document ID - Version				
ECN	500000001512			<b>20213210-01</b>				
Article Number								

# Counter drillings and equipment feet positions

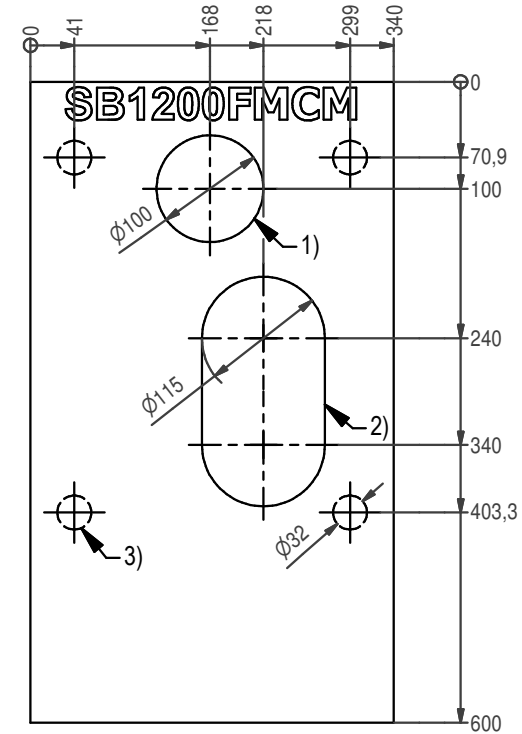
Installation with device base 7 mm and mould seal



**Positions:**

- Pos. 1) 1x Drilling - Supply lines
  - SB1200(A) CM1(B) UT40(C)
  - Coffee grounds ejection (Option)
  - SB1200 (A)
- Pos. 2) 4x Surface - Equipment feet
  - SB1200 (A)

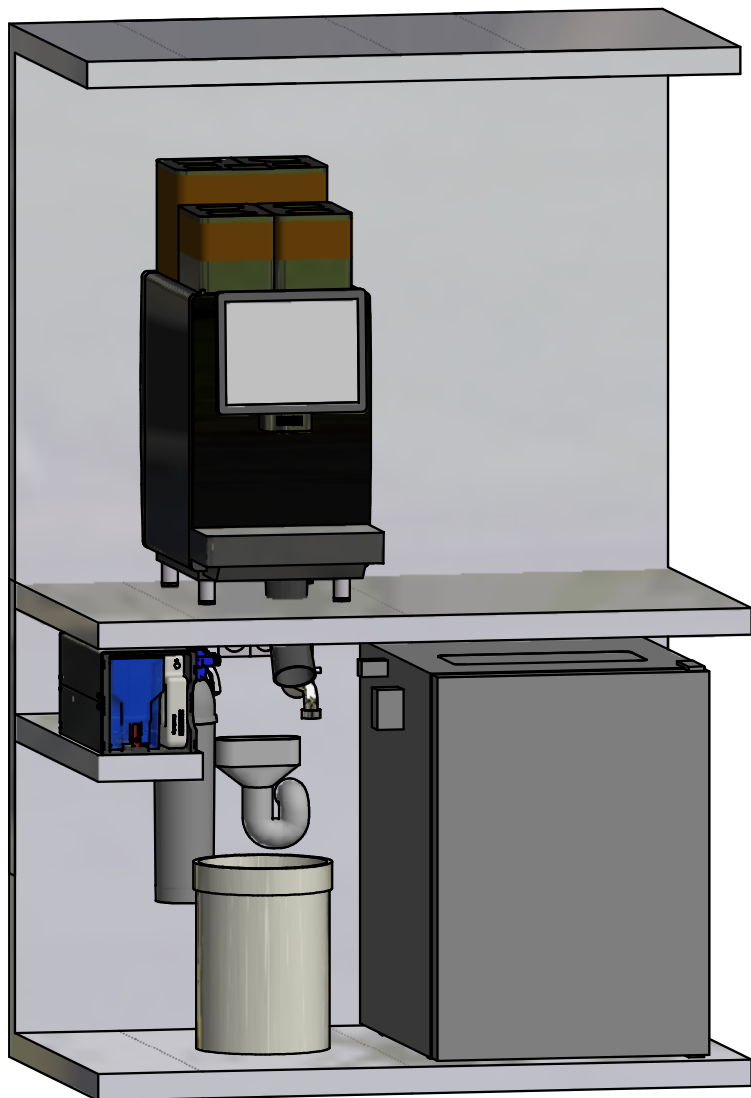
Installation with device base 40, 70 or 100 mm



**Positions:**

- Pos. 1) 1x Drilling - Supply lines
  - SB1200(A) CM1(B) UT40(C)
- Pos. 2) 1x Drilling - Coffee grounds ejection (Option)
  - SB1200 (A)
- Pos. 3) 4x Surface - Equipment feet
  - SB1200 (A)

<p>Fränke Kaffeemaschinen AG Fränke-Strasse 9 CH-4663 Aarburg Telefon: +41 62 787 3607 E-Mail: kmch@franke.com Internet: www.franke.com</p>	Unit		Scale	Description						
	mm		NTS	TD_SB1200FMCM_UT40_en						
	Drawn	MB002	20.07.2021	ECN	500000001512	Document ID - Version	Revision	Status	Sheet / Sheets	Format
	Modified	MB002	20.07.2021	Article Number	20213210-01	20213210-01		15	3 / 4	A3
Checked			<small>These drawings and specifications are the property of Franke Technology and Trademarks Ltd. and shall not be reproduced, copied or transferred to any third party without the prior written permission of Franke Technology and Trademark Ltd., Hergiswil, Switzerland</small>							



**Installation requirements:**

Our delivered appliances are ready for operation. They have to be installed on a flat surface. First the preparations for the connections of water and electricity must be complete. Distance max. 1 m up to the device. This preparation-works must be performed by qualified specialists in accordance with applicable regulations. The coffee machine is intended exclusively for operation in interior rooms.

Ambient temperatur: 5°C - 32°C.

Humidity: max. 80%

For the cooling unit placed under the counter a sufficient ventilation must be ensured. Do not exceed the maximum length of 1.5 m of media lines leading from the fridge to the coffee machine.

<b>FRANKE</b> Franke Kaffeemaschinen AG Franke-Strasse 9 CH-4663 Aarburg Telefon: +41 62 787 3607 E-Mail: kmch@franke.com Internet : www.franke.com	Unit		Scale	Description					
	mm		NTS	TD_SB1200FMCM_UT40_en					
	Drawn	MB002	20.07.2021						
	Modified	MB002	20.07.2021						
	Checked								
<small>These drawings and specifications are the property of Franke Technology and Trademark Ltd. and shall not be reproduced, copied or transferred to any third party without the prior written permission of Franke Technology and Trademark Ltd., Heggen, Switzerland</small>		ECN	500000001512	Document ID - Version		Revision	Status	Sheet / Sheets	Format
		Article Number		20213210-01			15	4 / 4	A3