

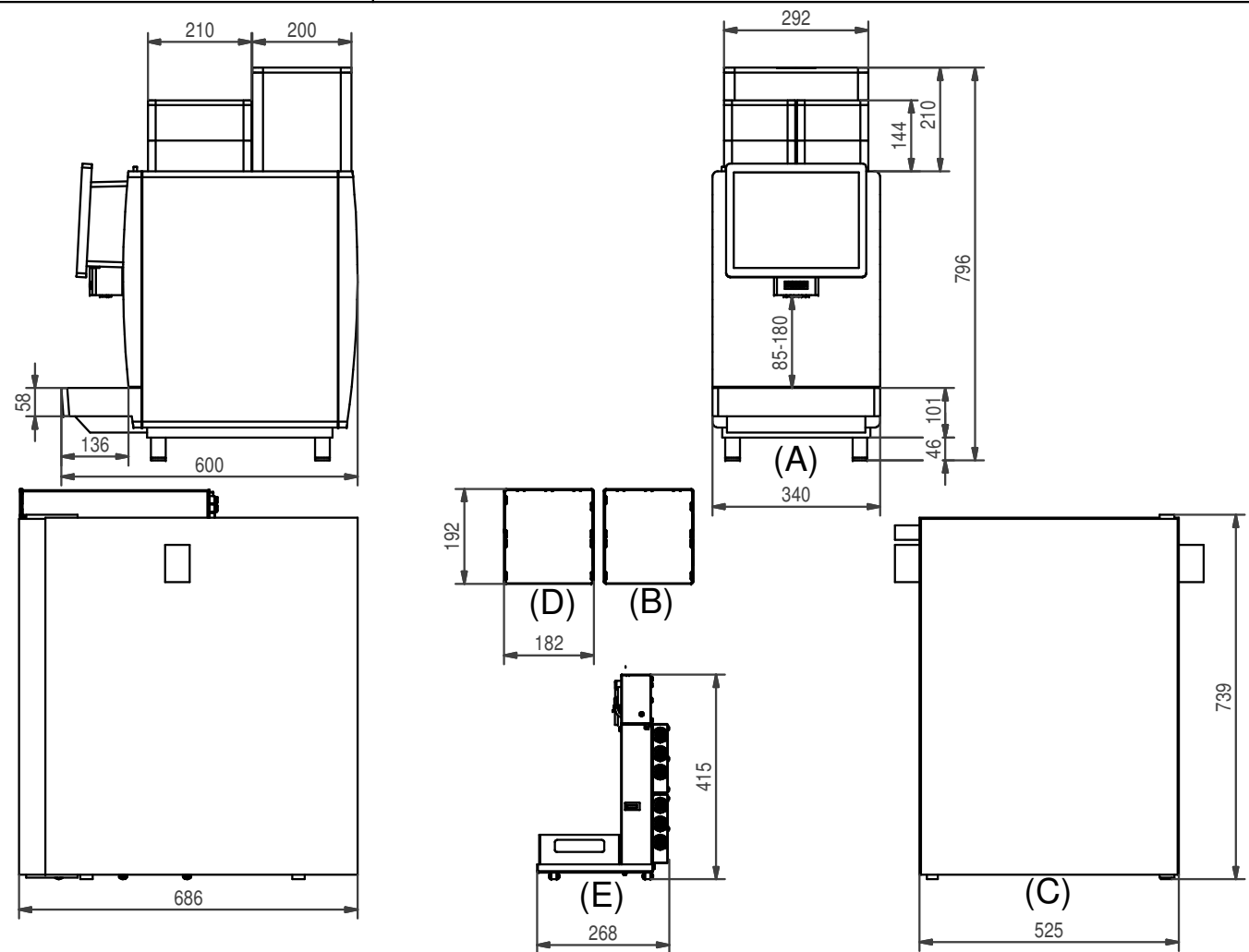
**Devices heights:**

with feet 7 mm (Standard):  
Height 750 + 7 = 757

with feet 40 mm (Supplied):  
Height 750 + 46 = 796

Adjustable feet 70 mm (Option):  
Height 750 + 71 = 821 (to 831)

Adjustable feet 100 mm (Option):  
Height 750 + 100 = 850 (to 860)



**Technical Data:**

- (A) SB1200 FM CM (Net weight 58 kg):  
 380-415 V, 3LNPE, 6500-7800 W, 50-60 Hz, 16 A - (CH/GB/EU)  
 220-240 V, 1LNPE, 2400-2900 W, 50-60 Hz, 16 A - (CH/GB/EU)  
 220-240 V, 1LNPE, 4700-5600 W, 50-60 Hz, 30 A - (CH/GB/EU)  
 200-220 V, 2L PE, 4700-5700 W, 50-60 Hz, 30 A - (USA/LATAM/JP)  
 220-240 V, 3L PE, 6500-7800 W, 50-60 Hz, 30 A - (CH/GB/EU)

Mains water connection: Inlet hose 8 x 1500 mm, union nut G3/8"  
 waste water hose 20 x 2000 mm

- (B)+(D) CM-Modul (Net weight 2 kg):  
 220-240 V, 1LNPE, 45 W, 50-60 Hz, 10 A - (CH/GB/EU)  
 100 V, 1LNPE, 45 W, 50-60 Hz, 10 A - (JP)  
 100-127 V, 1LNPE, 45 W, 50-60 Hz, 10 A - (USA/LATAM)

- (C) UT40 (Net weight 35 kg):  
 220-240 V, 1LNPE, 255 W, 0,72A, 50-60 Hz, 10 A - (CH/GB/EU)  
 100 V, 1LNPE, 255 W, 1,70A, 50-60 Hz, 10 A - (JP)  
 100-127 V, 1LNPE, 255 W, 0,80A, 50-60 Hz, 10 A - (USA/LATAM)

- (E) FSU60 CM (Net weight 10 kg):  
 100-240 V, 1LNPE, 25 W, 50-60 Hz, 10 A

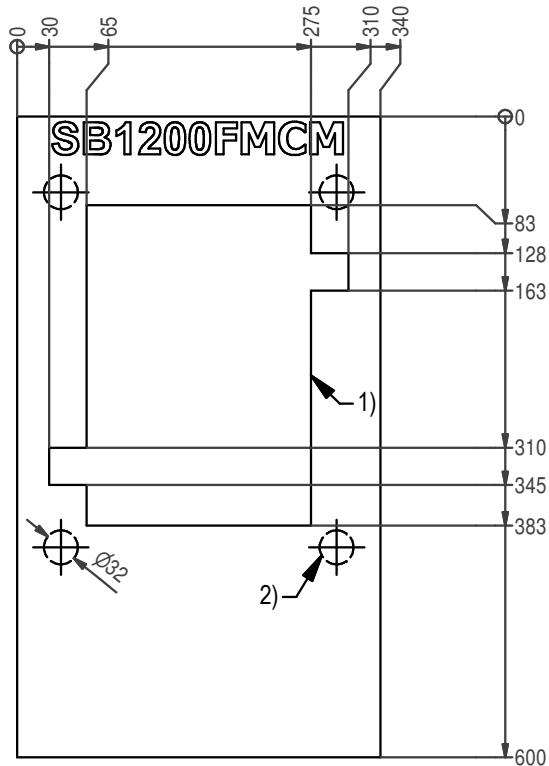
<p>Fränke Kaffeemaschinen AG                  Franke-Strasse 9                  CH-4663 Aarburg                  Telefon: +41 62 787 3607                  E-Mail: kmch@franke.com                  Internet: www.franke.com</p>	Unit	mm	Scale	NTS	Description TD_SB1200FMCM_UT40_FSU60CM_en					
	Drawn	MB002	24.04.2020							
	Modified	MB002	24.04.2020							
	Checked									
ECN	500000001512	Document ID - Version	20189944-01	Revision	15	Status	1 / 4	Sheet / Sheets	A3	Format

These drawings and specifications are the property of Franke Technology and Trademark Ltd. and shall not be reproduced, copied or transferred to any third party without the prior written permission of Franke Technology and Trademark Ltd., Hergiswil, Switzerland



# Counter drillings and equipment feet positions

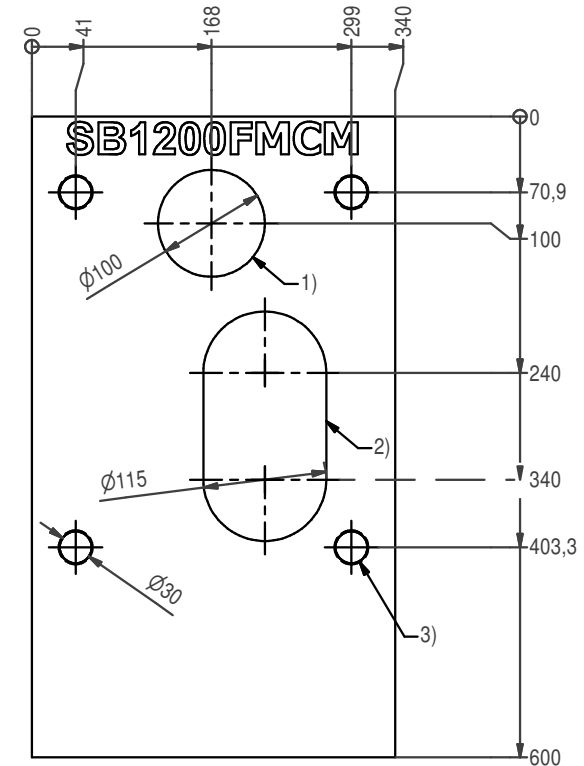
Installation with device base 7 mm and mould seal



**Positions:**

- Pos. 1) 1x Drilling - Supply lines
  - SB1200(A) CM1(B) UT40(C) FSU60(D) CM2(E)
  - Coffee grounds ejection (Option)
  - SB1200 (A)
- Pos. 2) 4x Surface - Equipment feet
  - SB1200 (A)

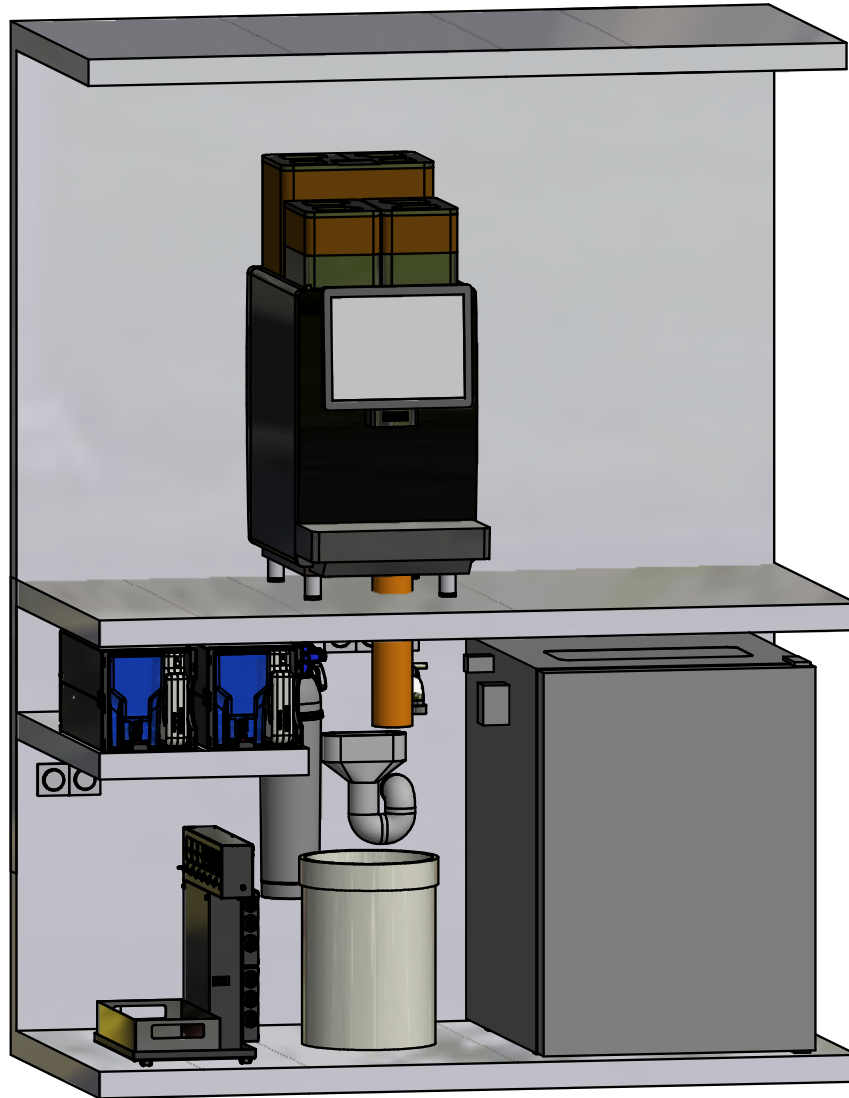
Installation with device base 40, 70 or 100 mm



**Positions:**

- Pos. 1) 1x Drilling - Supply lines
  - SB1200(A) CM1(B) UT40(C) FSU60(D) CM2(E)
- Pos. 2) 1x Drilling - Coffee grounds ejection (Option)
  - SB1200 (A)
- Pos. 3) 4x Surface - Equipment feet
  - SB1200 (A)

<p>                     Franke Kaffeemaschinen AG                      Franke-Strasse 9                      CH-4663 Aarburg                      Telefon: +41 62 787 3607                      E-Mail: kmch@franke.com                      Internet: www.franke.com                 </p>	Unit		Scale	Description						
	mm		NTS	TD_SB1200FMCM_UT40_FSU60CM_en						
	Drawn	MB002	24.04.2020							
	Modified	MB002	24.04.2020							
Checked				ECN	500000001512	Document ID - Version	Revision	Status	Sheet / Sheets	Format
<small>These drawings and specifications are the property of Franke Technology and Trademarks Ltd. and shall not be reproduced, copied or transferred to any third party without the prior written permission of Franke Technology and Trademark Ltd., Hergiswil, Switzerland</small>				Article Number	20189944-01			15	3 / 4	A3



**Installation requirements:**

Our delivered appliances are ready for operation. They have to be installed on a flat surface. First the preparations for the connections of water and electricity must be complete. Distance max. 1 m up to the device. This preparation-works must be performed by qualified specialists in accordance with applicable regulations. The coffee machine is intended exclusively for operation in interior rooms.

Ambient temperatur: 5°C - 32°C.

Humidity: max. 80%

For the cooling unit placed under the counter a sufficient ventilation must be ensured. Do not exceed the maximum length of 1.5 m of media lines leading from the fridge to the coffee machine.

<b>FRANKE</b> Franke Kaffeemaschinen AG Franke-Strasse 9 CH-4663 Aarburg Telefon: +41 62 787 3607 E-Mail: kmch@franke.com Internet : www.franke.com	Unit	mm	Scale	NTS	Description TD_SB1200FMCM_UT40_FSU60CM_en		
	Drawn	MB002	24.04.2020				
	Modified	MB002	24.04.2020				
	Checked						
<small>These drawings and specifications are the property of Franke Technology and Trademark Ltd. and shall not be reproduced, copied or transferred to any third party without the prior written permission of Franke Technology and Trademark Ltd., Heggen, Switzerland</small>	ECN	500000001512	Document ID - Version	Revision	Status	Sheet / Sheets	Format
	Article Number		20189944-01		15	4 / 4	A3