

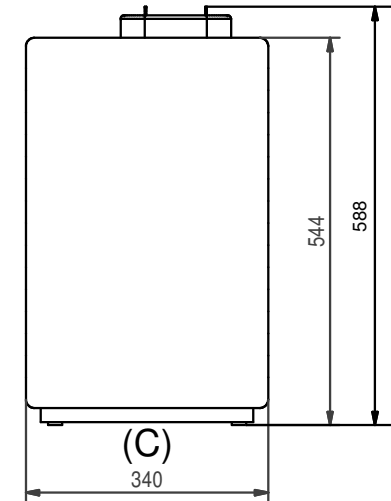
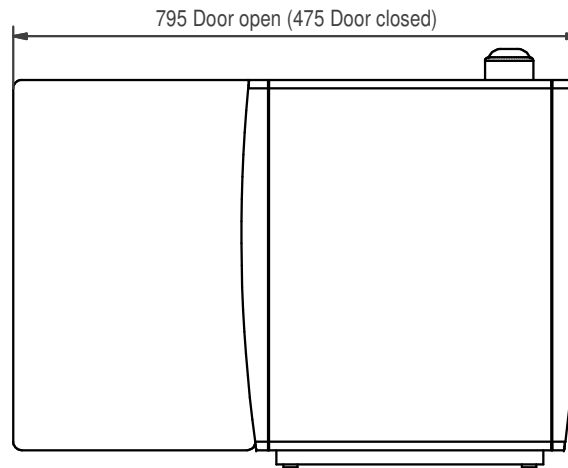
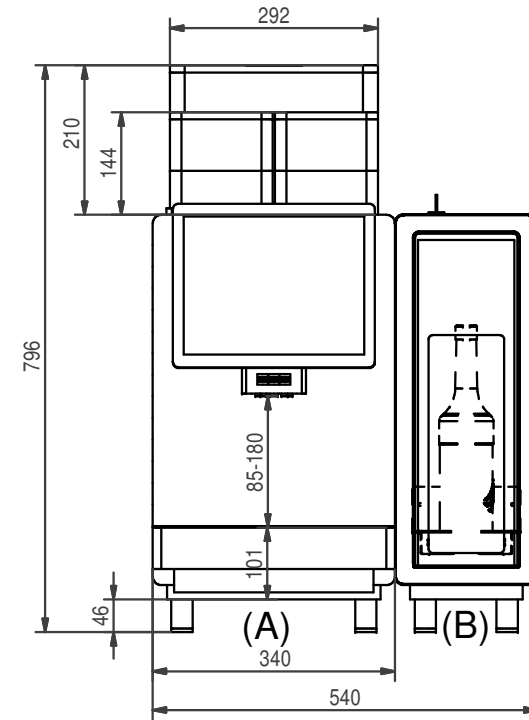
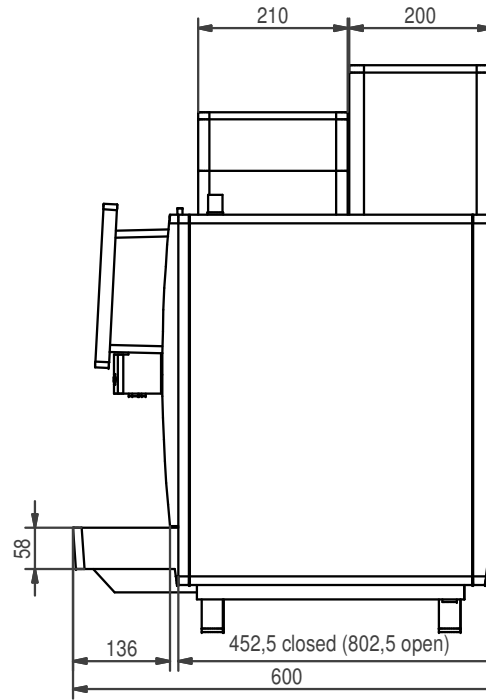
Technical data:

- (A) SB1200 FM CM (Net weight 58 kg):
 380-415 V, 3LNPE, 6500-7800 W, 50-60 Hz, 16 A - (CH/GB/EU)
 220-240 V, 1LNPE, 2400-2900 W, 50-60 Hz, 16 A - (CH/GB/EU)
 220-240 V, 1LNPE, 4700-5600 W, 50-60 Hz, 30 A - (CH/GB/EU)
 200-220 V, 2L PE, 4700-5700 W, 50-60 Hz, 30 A - (USA/LATAM/JP)
 220-240 V, 3L PE, 6500-7800 W, 50-60 Hz, 30 A - (CH/GB/EU)

Mains water connection: Inlet hose 8 x 1500 mm, union nut G3/8"
 Waste water hose 20 x 2000 mm

- (B) FS60 (Net weight 17 kg):
 100-240 V, 1LNPE, 50-60 Hz - (CH/EU/GB)
 110-127 V, 1LNPE, 50-60 Hz - (USA)
 100 V, 1LNPE, 50-60 Hz - (JP)
 220 V, 1LNPE, 50 Hz - (CN)

- (C) UT12 FM CM 20M (Net weight 26 kg):
 220-240 V, 1LNPE, 0,70-0,80 A, 50-60 Hz, 10 A - (EU)
 100-127 V, 1LNPE, 1,50-1,70 A, 60 Hz, 10 A - (US)
 100 V, 1LNPE, 1,70 A, 50-60 Hz, 10 A - (JP)
 220 V, 1LNPE, 0,80 A, 50-60 Hz, 10 A - (CN)



Devices heights:

with feet 7 mm (Supplied):
 Height 750 + 7 = 757

with feet 40 mm (Standard):
 Height 750 + 46 = 796

Adjustable feet 70 mm (Option):
 Height 750 + 71 = 821 (to 831)

Adjustable feet 100 mm (Option):
 Height 750 + 100 = 850 (to 860)

<p>Frankie Kaffeemaschinen AG Franke-Strasse 9 CH-4663 Aarburg Telefon: +41 62 787 3607 E-Mail: kmch@franke.com Internet: www.franke.com</p>	Unit	mm	Scale	NTS	Description TD_SB1200FMCM_UT12_2OM_FS60_en			
	Drawn	MB002	09.11.2021					
	Modified	MB002	10.11.2021					
	Checked		01.01.1970					
ECN	500000001512			Document ID - Version	Revision	Status	Sheet / Sheets	Format
Article Number				20218497-01	15	1 / 2	A3	

These drawings and specifications are the property of Franke Technology and Trademark Ltd. and shall not be reproduced, copied or transferred to any third party without the prior written permission of Franke Technology and Trademark Ltd., Hergiswil, Switzerland

Installation notes on site:

WW1: waste water - DN50 funnel trap ventilated - SB1200 FM CM (A)
for drainage hose

FW1: Mains water connection G3/8A external thread - SB1200 FM CM (A)
Check valve, filter and aquastop - recommendation
Water pressure 80-800 kPa (0,8-8,0 bar)
Flow rate: >0,1l/sec. - Water temperatur <25°C
Water hardness: 4-8°dH; 7-14fH; 70-140ppm (mg/l)
Carbon hardness: 3-6°dH; 50-105ppm (mg/l) - pH-value: 6,5-7,5
Chlorine content: <0,5mg/l - Chloride content: <30mg/l
Elektrical conductivity: 50-200µs/cm - Iron content: <0,3mg/l

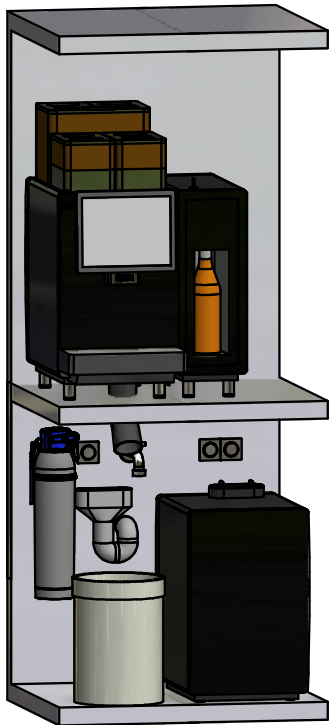
E1: Soket with RCD (residual current device) - SB1200 FM CM (A)
380-415 V, 3LNPE, 6500-7800 W, 50-60 Hz, 16 A - (CH/GB/EU)
220-240 V, 1LNPE, 2400-2900 W, 50-60 Hz, 16 A - (CH/GB/EU)
220-240 V, 1LNPE, 4700-5600 W, 50-60 Hz, 30 A - (CH/GB/EU)
200-220 V, 2L PE, 4700-5700 W, 50-60 Hz, 30 A - (USA/LATAM/JP)
220-240 V, 3L PE, 6500-7800 W, 50-60 Hz, 30 A - (CH/GB/EU)

E2: Soket with RCD (residual current device) - FS60 (B)
100-240 V, 1LNPE, 50-60 Hz - CH/EU/GB
110-127 V, 1LNPE, 50-60 Hz - USA
100 V, 1LNPE, 50-60 Hz - JP
220 V, 1LNPE, 50 Hz - CN

E3: Soket with RCD (residual current device) - UT12 FM CM 20M (C)
220-240 V, 1LNPE, 0,70-0,80 A, 50-60 Hz, 10 A - (EU)
100-127 V, 1LNPE, 1,50-1,70 A, 60 Hz, 10 A - (US)
100 V, 1LNPE, 1,70 A, 50-60 Hz, 10 A - (JP)
220 V, 1LNPE, 0,80 A, 50-60 Hz, 10 A - (CN)

CC1: Option container for coffee-grounds ejection - SB1200 FM CM (A)

WF1: Option water filter - SB1200 FM CM (A)

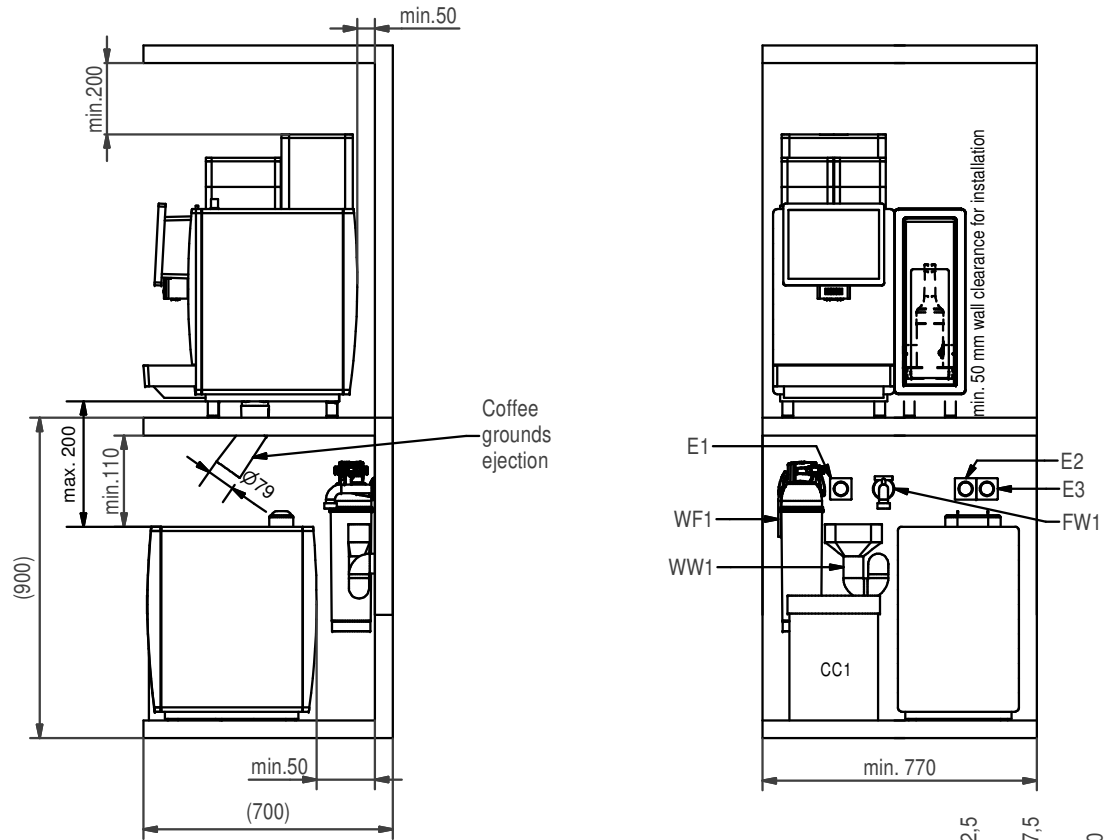


Installation requirements:

Our delivered appliances are ready for operation. They have to be installed on a flat surface. First the preparations for the connections of water and electricity must be complete. Distance max. 1 m up to the device. This preparation-works must be performed by qualified specialists in accordance with applicable regulations. The coffee machine is intended exclusively for operation in interior rooms.

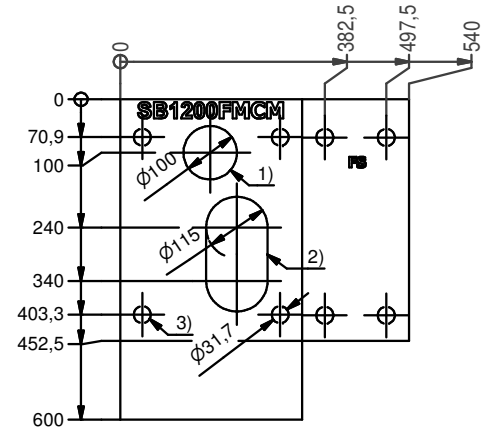
Ambient temperatur: 5°C - 32°C.
Humidity: max. 80%

For the cooling unit placed under the counter a sufficient ventilation must be ensured. Do not exceed the maximum length of 1.5 m of media lines leading from the fridge to the coffee machine.



Positions:

- Pos. 1) 1x Drilling
 - Supply lines
 - SB1200(B) FS60(C)
- Pos. 2) 1x Drilling
 - Coffee grounds ejection (Option)
 - SB1200(B)
- Pos. 3) 8x Surface
 - Equipment feet
 - SB1200(B) FS60(C)



<p>Franka Kaffeemaschinen AG Franka-Strasse 9 CH-4663 Aarburg Telefon: +41 62 787 3607 E-Mail: kmch@franke.com Internet: www.franke.com</p>	Unit		Scale	Description						
	mm		NTS	TD_SB1200FMCM_UT12_2OM_FS60_en						
	Drawn	MB002	09.11.2021	ECN	500000001512	Document ID - Version	Revision	Status	Sheet / Sheets	Format
	Modified	MB002	10.11.2021	Article Number	20218497-01	15	2 / 2	A3		