

**Devices heights:**

with feet 7 mm (Supplied):  
Height 750 + 7 = 757

with feet 40 mm (Standard):  
Height 750 + 46 = 796

Adjustable feet 70 mm (Option):  
Height 750 + 71 = 821 (to 831)

Adjustable feet 100 mm (Option):  
Height 750 + 100 = 850 (to 860)

**Technical data:**

(A) SU12 FM CM 20M (Net weight 26 kg):

- 220-240 V, 1LNPE, 0,70-0,80 Á, 50-60 HZ, 10 Á - (EU)
- 100-127 V, 1LNPE, 1,50-1,70 Á, 60 HZ, 10 Á - (US)
- 100 V, 1LNPE, 1,70 Á, 50-60 HZ, 10 Á - (JP)
- 220 V, 1LNPE, 0,80 Á, 50-60 HZ, 10 Á - (CN)

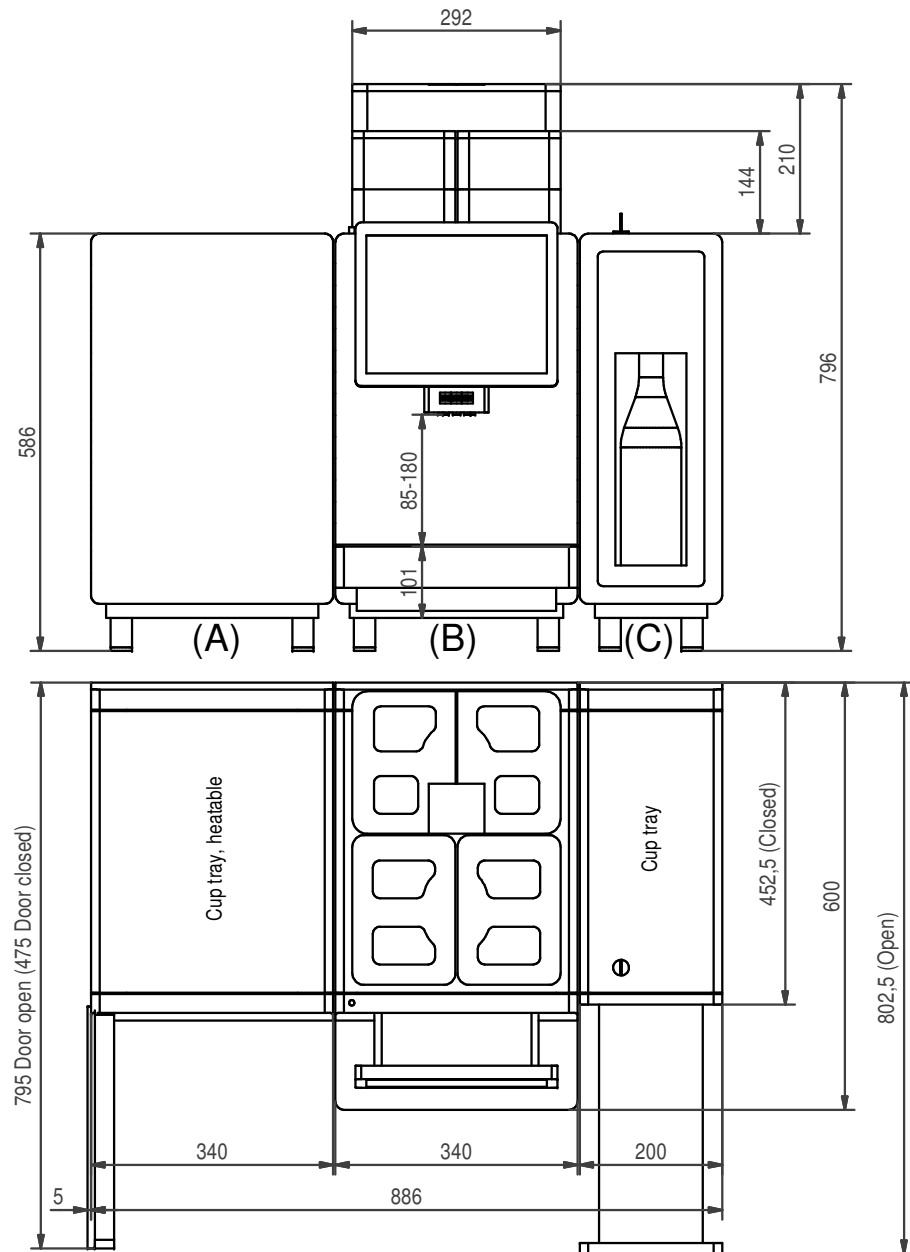
(B) SB1200 FM CM (Net weight 58 kg):

- 380-415 V, 3LNPE, 6500-7800 W, 50-60 HZ, 16 Á - (CH/GB/EU)
- 220-240 V, 1LNPE, 2400-2900 W, 50-60 HZ, 16 Á - (CH/GB/EU)
- 220-240 V, 1LNPE, 4700-5600 W, 50-60 HZ, 30 Á - (CH/GB/EU)
- 200-220 V, 2L PE, 4700-5700 W, 50-60 HZ, 30 Á - (USA/LATAM/JP)
- 220-240 V, 3L PE, 6500-7800 W, 50-60 HZ, 30 Á - (CH/GB/EU)

Mains water connection: Inlet hose 8 x 1500 mm, union nut G3/8"  
waste water hose 20 x 2000 mm

(C) FS60 (Net weight 17 kg):

- 100-240 V, 1LNPE, 50-60 HZ - (CH/EU/GB)
- 110-127 V, 1LNPE, 50-60 HZ - (USA)
- 100 V, 1LNPE, 50-60 HZ - (JP)
- 220 V, 1LNPE, 50 HZ - (CN)



<p>Fränke Kaffeemaschinen AG Fränke-Strasse 9 CH-4663 Aarburg Telefon: +41 62 787 3607 E-Mail: kmch@franke.com Internet: www.franke.com</p>	Unit	mm	Scale	NTS	Description TD_SB1200FMCM_SU12_2OM_FS60_en	Document ID - Version 20218495-01	Revision 15	Status 1 / 2	Sheet / Sheets A3
	Drawn	MB002	09.11.2021						
	Modified	MB002	10.11.2021						
	Checked		01.01.1970						
ECN	500000001512								
Article Number									

**Installation notes on site:**

WW1: Waste water - DN50 funnel trap ventilated - SB1200 FM CM (B)  
for drainage hose

FW1: Mains water connection G3/8A external thread - SB1200 FM CM (B)  
Check valve, filter and aquastop - recommendation  
water pressure 80-800 kPa (0,8-8,0 bar)  
Flow rate: >0,1l/sec. - water temperatur <25°C  
Water hardness: 4-8°dH; 7-14fH; 70-140ppm (mg/l)  
Carbon hardness: 3-6°dH; 50-105ppm (mg/l) - pH-value: 6,5-7,5  
Chlorine content: <0,5mg/l - Chloride content: <30mg/l  
Elektrical conductivity: 50-200µs/cm - Iron content: <0,3mg/l

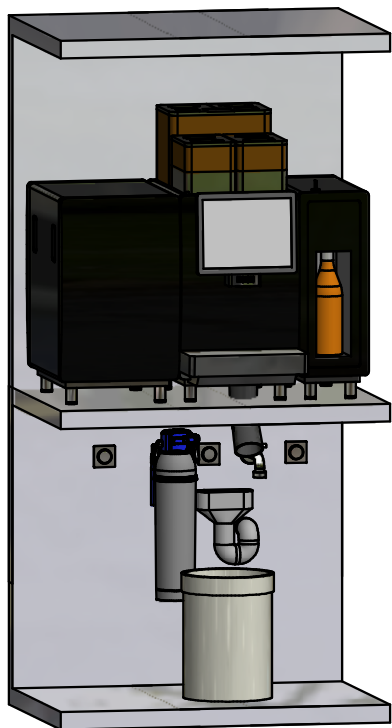
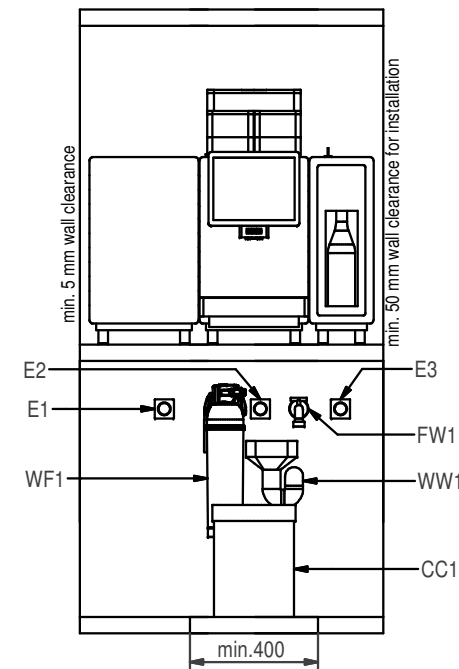
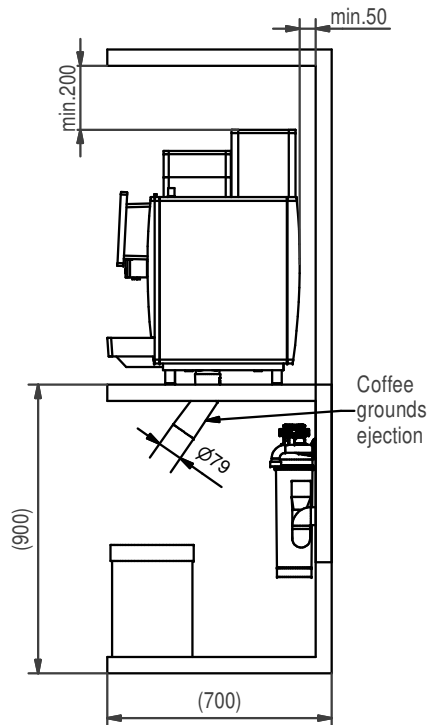
E1: Soket with RCD (residual current device) - SU12 FM CM 20M (A)  
220-240 V, 1LNPE, 0,70-0,80 Å, 50-60 HZ, 10 Å - (EU)  
100-127 V, 1LNPE, 1,50-1,70 Å, 60 HZ, 10 Å - (US)  
100 V, 1LNPE, 1,70 Å, 50-60 HZ, 10 Å - (JP)  
220 V, 1LNPE, 0,80 Å, 50-60 HZ, 10 Å - (CN)

E2: Soket with RCD (residual current device) - SB1200 FM CM (B)  
380-415 V, 3LNPE, 6500-7800 W, 50-60 HZ, 16 Å - (CH/GB/EU)  
220-240 V, 1LNPE, 2400-2900 W, 50-60 HZ, 16 Å - (CH/GB/EU)  
220-240 V, 1LNPE, 4700-5600 W, 50-60 HZ, 30 Å - (CH/GB/EU)  
200-220 V, 2L PE, 4700-5700 W, 50-60 HZ, 30 Å - (USA/LATAM/JP)  
220-240 V, 3L PE, 6500-7800 W, 50-60 HZ, 30 Å - (CH/GB/EU)

E3: Soket with RCD (residual current device) - FS60 (C)  
100-240 V, 1LNPE, 50-60 HZ - (CH/EU/GB)  
110-127 V, 1LNPE, 50-60 HZ - (USA)  
100 V, 1LNPE, 50-60 HZ - (JP)  
220 V, 1LNPE, 50 HZ - (CN)

CC1: Option container for coffee-grounds ejection - SB1200 FM CM (B)

WF1: Option water filter - SB1200 FM CM (B)

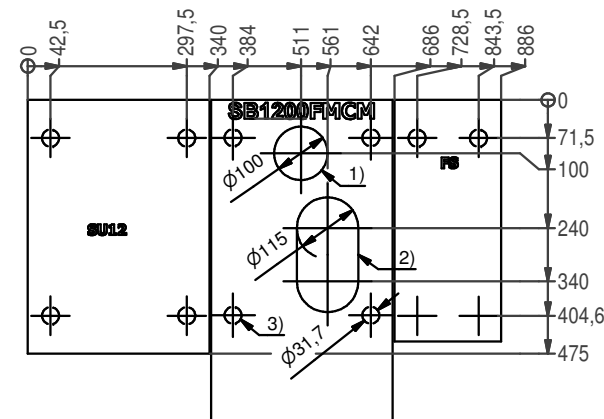


**Installation requirements:**

Our delivered appliances are ready for operation. They have to be installed on a flat surface. First the preparations for the connections of water and electricity must be complete. Distance max. 1 m up to the device. This preparation-works must be performed by qualified specialists in accordance with applicable regulations. The coffee machine is intended exclusively for operation in interior rooms.  
Ambient temperatur: 5°C - 32°C.  
Humidity: max. 80%

**Positions:**

- Pos. 1) 1x Drilling
  - Supply lines
  - SB1200(B) SU12(A) FS60(C)
- Pos. 2) 1x Drilling
  - Coffee grounds ejection (Option)
  - SB1200(B)
- Pos. 3) 12x Surface
  - Equipment feet
  - SB1200(B) SU12(A) FS60(C)



<p>FRANKE Franke Kaffeemaschinen AG Franke-Strasse 9 CH-4663 Aarburg Telefon: +41 62 787 3607 E-Mail: kmch@franke.com Internet: www.franke.com</p>	Unit		Scale	Description			
	mm		NTS	TD_SB1200FMCM_SU12_2OM_FS60_en			
	Drawn	MB002	09.11.2021				
	Modified	MB002	10.11.2021				
Checked		01.01.1970					
ECN	500000001512	Document ID - Version		Revision	Status	Sheet / Sheets	Format
Article Number		20218495-01		15	2 / 2	A3	