

Devices heights:

with feet 7 mm (Supplied):
Height 750 + 7 = 757

with feet 40 mm (Standard):
Height 750 + 46 = 796

Adjustable feet 70 mm (Option):
Height 750 + 71 = 821 (to 831)

Adjustable feet 100 mm (Option):
Height 750 + 100 = 850 (to 860)

Technical data:

(A) SU12 FM CM 20M (Net weight 26 kg):

- 220-240 V, 1LNPE, 0,70-0,80 A, 50-60 Hz, 10 A - (EU)
- 100-127 V, 1LNPE, 1,50-1,70 A, 60 Hz, 10 A - (US)
- 100 V, 1LNPE, 1,70 A, 50-60 Hz, 10 A - (JP)
- 220 V, 1LNPE, 0,80 A, 50-60 Hz, 10 A - (CN)

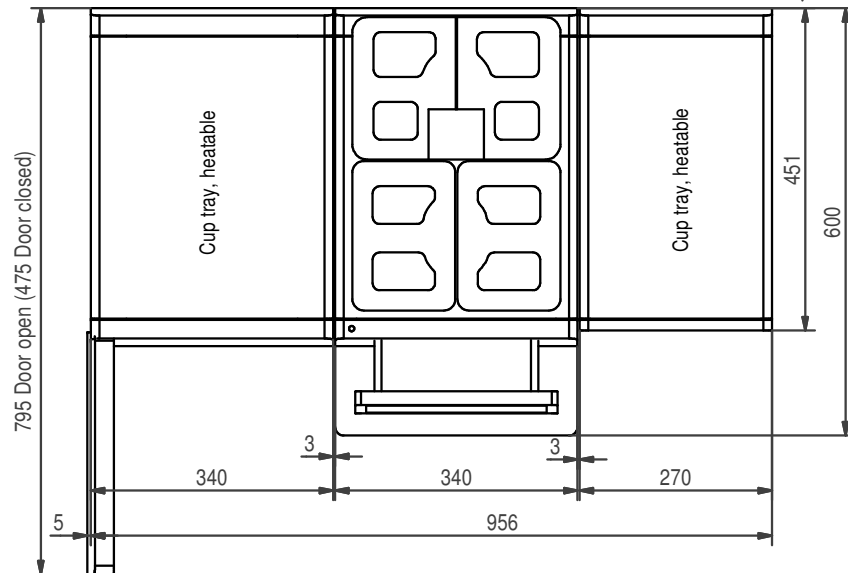
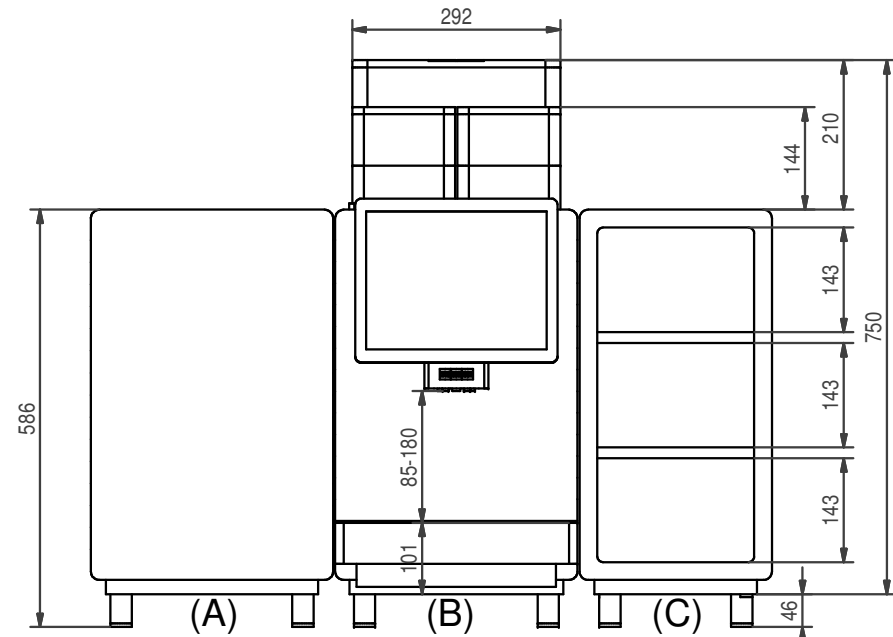
(B) SB1200 FM CM (Net weight 58 kg):

- 380-415 V, 3LNPE, 6500-7800 W, 50-60 Hz, 16 A - (CH/GB/EU)
- 220-240 V, 1LNPE, 2400-2900 W, 50-60 Hz, 16 A - (CH/GB/EU)
- 220-240 V, 1LNPE, 4700-5600 W, 50-60 Hz, 30 A - (CH/GB/EU)
- 200-220 V, 2L PE, 4700-5700 W, 50-60 Hz, 30 A - (USA/LATAM/JP)
- 220-240 V, 3L PE, 6500-7800 W, 50-60 Hz, 30 A - (CH/GB/EU)

Mains water connection: Inlet hose 8 x 1500 mm, union nut G3/8"
Waste water hose 20 x 2000 mm

(C) CW270 (Net weight 13 kg):

- 220-240 VAC, 1LNPE, 110-130 W 50-60 Hz - (CH/EU/GB)
- 110-127 VAC, 1LNPE, 80-130 W 60 Hz - (USA)
- 100 VAC, 1LNPE, 80 W 50-60 Hz - (JP)
- 220 VAC, 1LNPE, 110 W 50 Hz - (CN)



Franke Kaffeemaschinen AG Franke-Strasse 9 CH-4663 Aarburg Telefon: +41 62 787 3607 E-Mail: kmch@franke.com Internet: www.franke.com	Unit	mm	Scale	NTS	Description TD_SB1200FMCM_SU12_2OM_CW270_en			
	Drawn	MB002	09.11.2021					
	Modified	MB002	09.11.2021					
	Checked		01.01.1970					
ECN Article Number		500000001512		Document ID - Version 20218493-01	Revision 15	Status 1 / 2	Sheet / Sheets A3	Format A3

These drawings and specifications are the property of Franke Technology and Trademark Ltd. and shall not be reproduced, copied or transferred to any third party without the prior written permission of Franke Technology and Trademark Ltd., Hergiswil, Switzerland

Installation notes on site:

WW1: Waste water - DN50 funnel trap ventilated - SB1200 FM CM (B)
for drainage hose

FW1: Mains water connection G3/8A external thread - SB1200 FM CM (B)
Check valve, filter and aquastop - recommendation
Water pressure 80-800 kPa (0,8-8,0 bar)
Flow rate: >0,1l/sec. - Water temperatur <25°C
water hardness: 4-8°dH; 7-14fH; 70-140ppm (mg/l)
Carbon hardness: 3-6°dH; 50-105ppm (mg/l) - pH-value: 6,5-7,5
Chlorine content: <0,5mg/l - Chloride content: <30mg/l
Elektrical conductivity: 50-200µs/cm - Iron content: <0,3mg/l

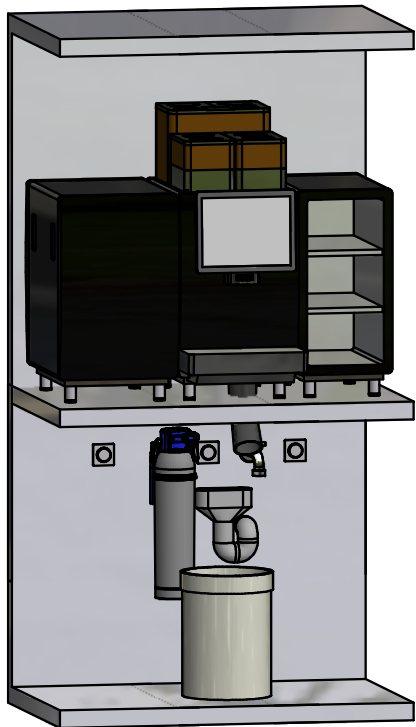
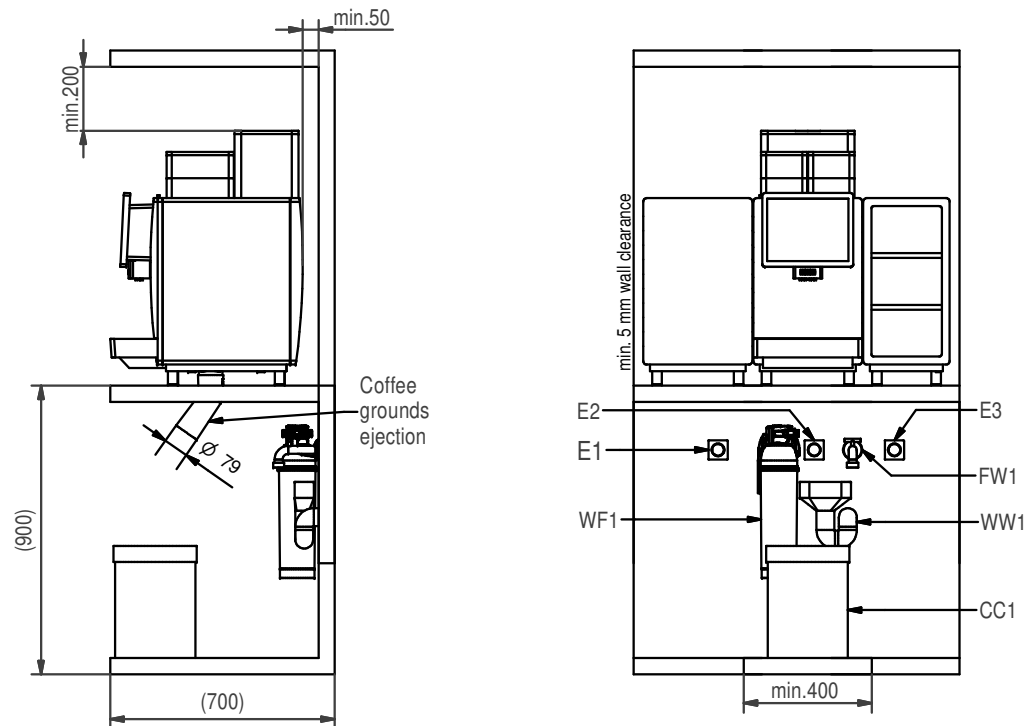
E1: Soket with RCD (residual current device) - SU12 FM CM 20M (A)
220-240 V, 1LNPE, 0,70-0,80 Å, 50-60 HZ, 10 Å - (EU)
100-127 V, 1LNPE, 1,50-1,70 Å, 60 HZ, 10 Å - (US)
100 V, 1LNPE, 1,70 Å, 50-60 HZ, 10 Å - (JP)
220 V, 1LNPE, 0,80 Å, 50-60 HZ, 10 Å - (CN)

E2: Soket with RCD (residual current device) - SB1200 FM CM (B)
380-415 V, 3LNPE, 6500-7800 W, 50-60 HZ, 16 Å - (CH/GB/EU)
220-240 V, 1LNPE, 2400-2900 W, 50-60 HZ, 16 Å - (CH/GB/EU)
220-240 V, 1LNPE, 4700-5600 W, 50-60 HZ, 30 Å - (CH/GB/EU)
200-220 V, 2L PE, 4700-5700 W, 50-60 HZ, 30 Å - (USA/LATAM/JP)
220-240 V, 3L PE, 6500-7800 W, 50-60 HZ, 30 Å - (CH/GB/EU)

E3: Soket with RCD (residual current device) - CW270 (C)
220-240 VAC, 1L N PE, 110-130 W 50-60 HZ - CH/EU/GB
110-127 VAC, 1L N PE, 80-130 W 60 HZ - USA
100 VAC, 1L N PE, 80 W 50-60 HZ - JP
220 VAC, 1L N PE, 110 W 50 HZ - CN

CC1: Option container for coffee-grounds ejection - SB1200 FM CM (B)

WF1: Option water filter - SB1200 FM CM (B)

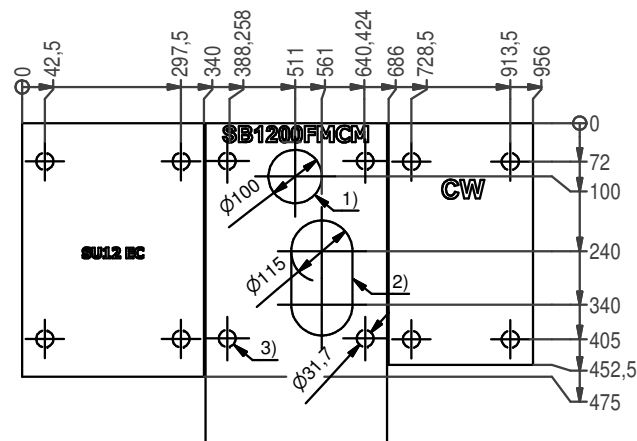


Installation requirements:

Our delivered appliances are ready for operation. They have to be installed on a flat surface. First the preparations for the connections of water and electricity must be complete. Distance max. 1 m up to the device. This preparation-works must be performed by qualified specialists in accordance with applicable regulations. The coffee machine is intended exclusively for operation in interior rooms.
Ambient temperatur: 5°C - 32°C.
Humidity: max. 80%

Positions:

- Pos. 1) 1x Drilling
 - Supply lines
 - SB1200(B) SU12(A) CW270(C)
- Pos. 2) 1x Drilling
 - Coffee grounds ejection (Option)
 - SB1200(B)
- Pos. 3) 12x Surface
 - Equipment feet
 - SB1200(B) SU12(A) CW270(C)



Franke Kaffeemaschinen AG Franke-Strasse 9 CH-4663 Aarburg Telefon: +41 62 787 3607 E-Mail: kmch@franke.com Internet: www.franke.com	Unit		Scale	Description TD_SB1200FMCM_SU12_2OM_CW270_en			
	mm	NTS					
	Drawn	MB002	09.11.2021				
	Modified	MB002	09.11.2021				
Checked		01.01.1970					
ECN	500000001512	Document ID - Version		Revision	Status	Sheet / Sheets	Format
Article Number		20218493-01		15	2 / 2	A3	