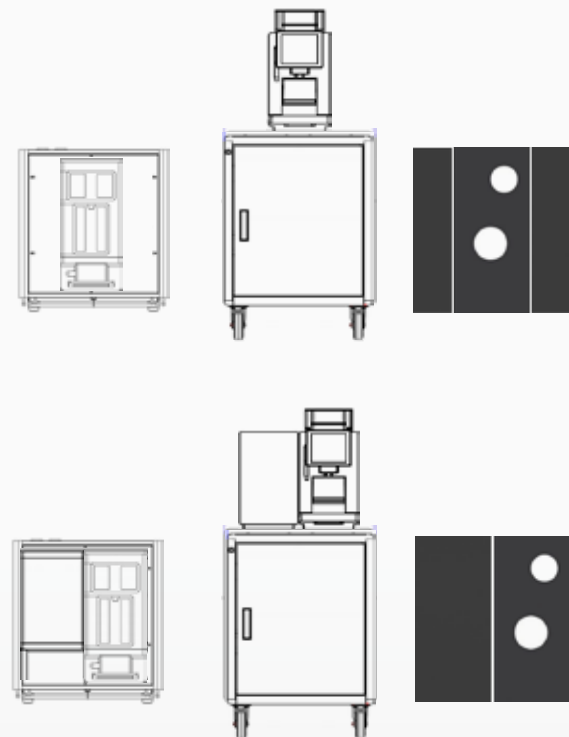


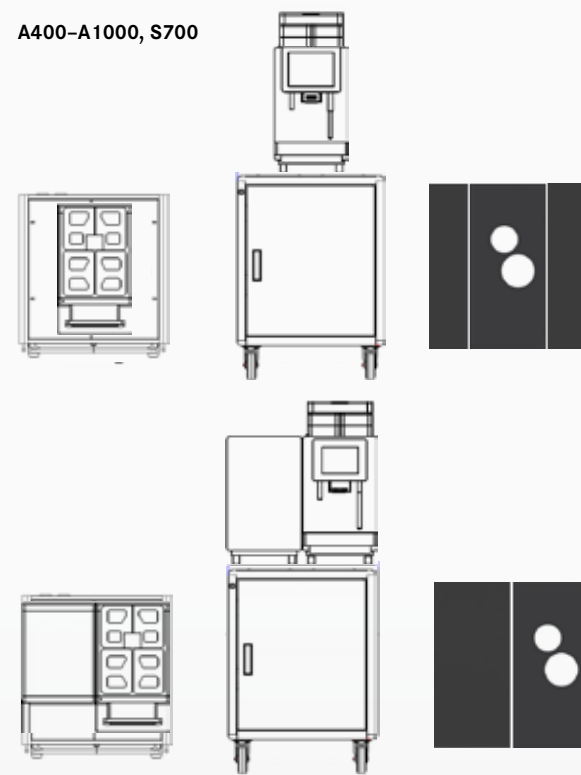
TECHNICAL DATA

COVER PLATES

A300

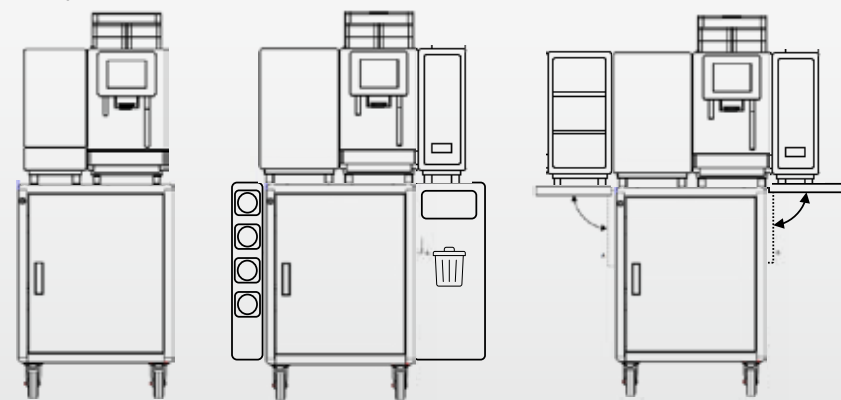


A400-A1000, S700



COMBINATION OPTIONS

Examples



RESTRICTIONS

Combinations

- Folding side shelves cannot be combined with the cup dispenser and/or waste basket.
- Not available for use with Twin solutions.
- Not available for use with the SB1200/UT40 solution.
- Not available for use with UC09 cooling unit.

These figures are examples. The possible options for the respective product range are to be taken into account.

SCOPE OF DELIVERY

Standard

- Coffee Service Cart in RAL 9005 (sole color available)
- Installation material (fasteners for FlowJet and water filter)
- Cover plates

Optional

- Tank kit (16 l, wastewater and freshwater tank, monitored)
- FlowJet kit
- Grounds ejection incl. collection container
- Water filter
- Coffee Service Cart add-on components (cup dispenser/waste basket/folding side shelves)

Power outlet strip

- Must be organized on-site.

*Currently unavailable in North America.

COFFEE SERVICE CART

Take on high-capacity catering with ease with the Franke Coffee Service Cart*. Serve coffee creations promptly, even when your groups of guests are spread across a large area. This purpose-designed coffee cart lets you bring great coffee experiences directly to your guests wherever they are, whether at conferences, on outdoor terraces, or at banquet dining. Use it together with any of our A-Line fully automatic coffee machines, complete with cooling unit.

The new Coffee Service Cart* solution enables easy and safe operations as well as modular flexibility for both served and self-serve concepts. Focusing on elegant functionality, the cart comes equipped with the practical and efficient features you need for optimized mobile coffee service. Optional add-on components improve versatility while keeping your coffee service workspace uncluttered and visually appealing.



MODULARITY

Purpose-designed solution with add-on components for enhanced functionality



SIMPLE INSTALLATION

Easy to use and equip



FULL MOBILE SERVICE

Available for A300 - A1000, S700

FRANKE

MAKE IT WONDERFUL

Franke Kaffeemaschinen AG
cs-info.ch@franke.com

Franke Coffee Systems GmbH
cs-info.de@franke.com

Franke Coffee Systems Americas
cs-coffeesales.us@franke.com

Franke Coffee Systems UK
sales@Frankecoffeesystems.co.uk

coffee.franke.com

FRANKE

MAKE IT WONDERFUL

TECHNICAL DATA

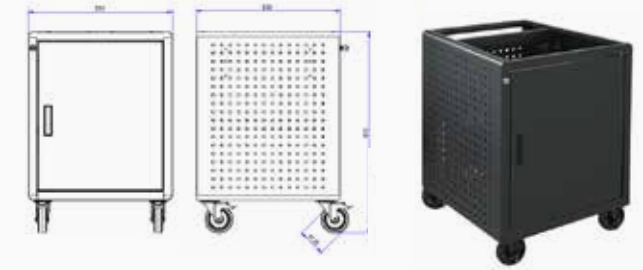
OVERVIEW



DESCRIPTION

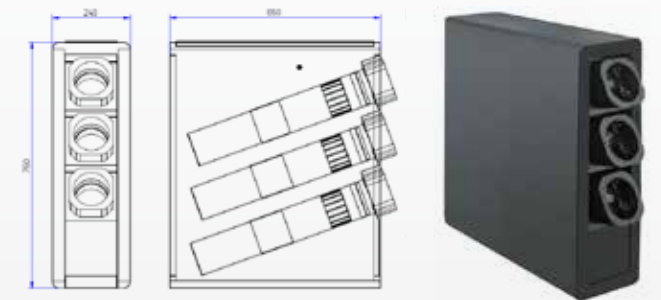
COFFEE SERVICE CART

Dimensions H910 x W650 x D650
Color RAL: 9005, fine structure, matt
Max. load 150 kg
Door Lockable
Casters 4, swiveling and lockable

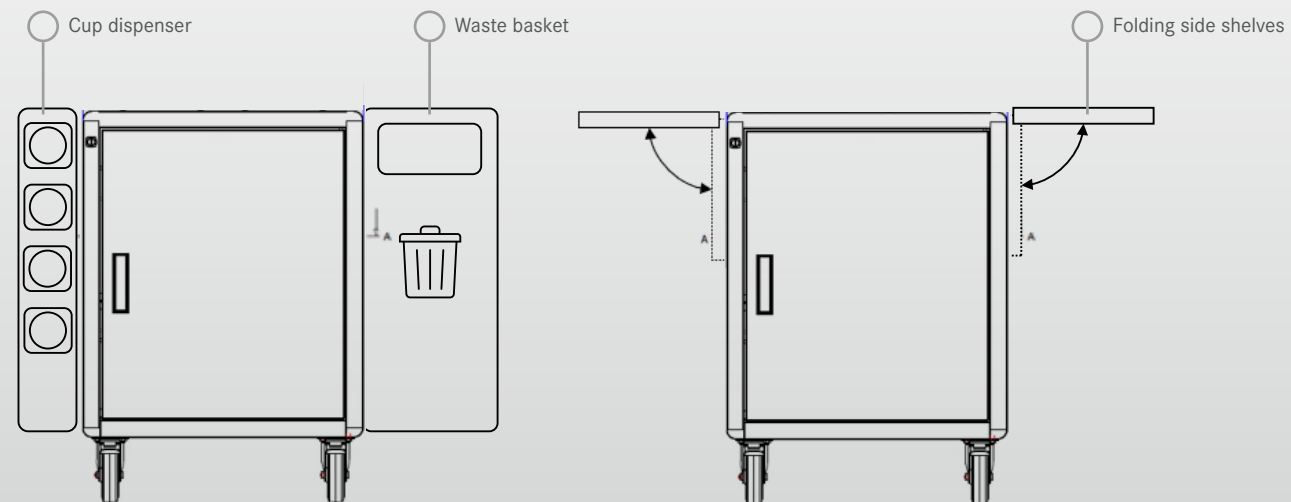


CUP DISPENSER

Dimensions H760 x W240 x D650
Color RAL: 9005, fine structure, matt
Max. load 25 kg
Capacity 3, adjustable

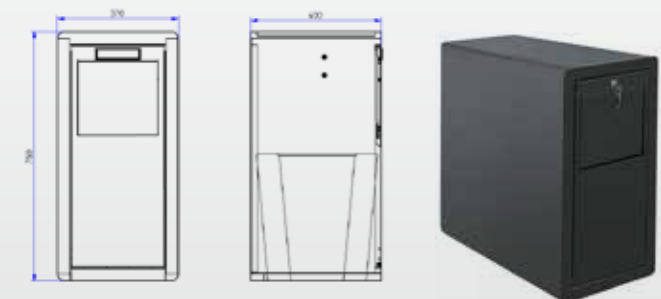


MODULAR SYSTEM/MODULARITY



WASTE BASKET

Dimensions H760 x W370 x D650
Color RAL: 9005, fine structure, matt
Max. load 30 kg
Capacity 27-l waste basket



FOLDING SIDE SHELF

Dimensions H42 x W410 x D650
Color RAL: 9005, fine structure, matt
Max. load 30 kg
Brackets 1 pair of folding brackets with shelf, available individually

