



Hoods Collection





As a name long renowned for exceptional quality sinks and taps, designed to last a lifetime, Franke also offers an extensive range of beautifully engineered extractor hoods.

We even offer designer hoods that deserve to be shown off, like our recent Red Dot award-winning Smart Suspended Cooker Hood.

Whatever your style or budget, Franke has a hood to meet your every requirement. Take your pick from our practical wall hoods, select one of our sleek and discrete ceiling hoods, or how about a hood that hides away neatly under your cabinets. Plus, with fabulous features such as a choice of speed settings and built in LED lighting to illuminate your cooking space, our hoods are just as hardworking as they are good looking; making them the ideal finishing touch in any kitchen.

CONTENTS

Choosing your Franke Hood	4
Frequently Asked Questions	7
Hob Extractor	13
Downdraft	15
Wall Mounted	16
Island	38
Ceiling	45
Under Cabinet	50
Technical Specifications	58


Peace of mind with Franke quality


Franke products are built to last, we are one of the top 3 manufacturers in the world. From our commitment to using only the finest quality materials, to the state-of-the-art manufacturing techniques, we have absolute confidence in every product in our range.


The Franke appliances and hoods guarantee covers the cost of parts and labour in the event of a breakdown, caused by mechanical or electrical failure of the appliance, for 2 years from the date of purchase.



 www.franke.co.uk

 facebook.com/FrankeHomeSolutionsUK

 instagram.com/franke_uk

 twitter.com/FrankeUK

 youtube.com/UKFranke

 pinterest.com/FrankeUK

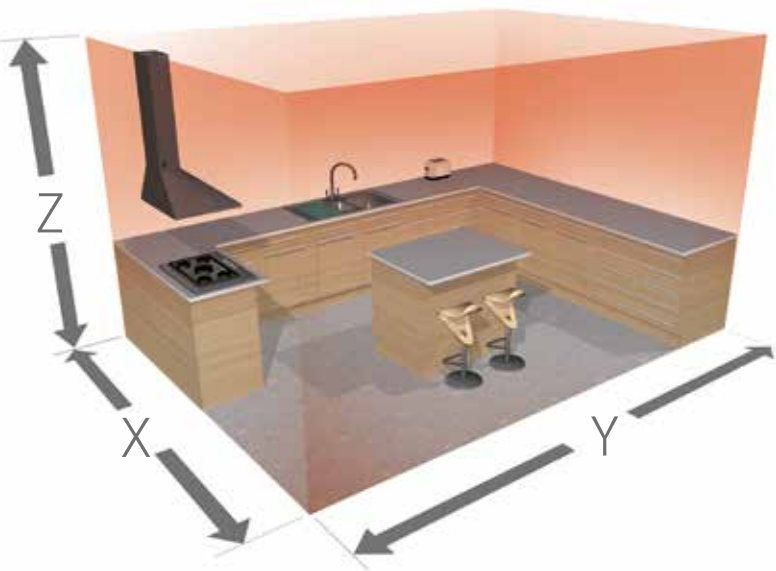
CHOOSING YOUR FRANKE HOOD

What is the right hood for your kitchen size?

Optimum Rate of Airflow

To decide which hood to choose, first calculate the volume of the room. This figure can be arrived at by multiplying room length x width x height. So a kitchen that is 4 x 4 x 2.5 metres has a volume of 40m³. (see diagram).

This room volume figure is then further multiplied by 10 to obtain the optimum rate of airflow for that room, based on the need to change the air ten times an hour. So our kitchen of 40m³ x 10 = 400 – meaning it would require an extraction rate of 400m³/h for efficient ventilation of the room. For optimum extraction capability ensure that the hood width is equivalent or greater than the width of your hob.



Typical kitchen volume example:

X = 4m Y = 4m Z = 2.5m

ENERGY LABEL TO HELP YOU MAKE BETTER SAVINGS!

Energy Efficiency Class: This represents a summary of the individual efficiencies listed below. Hoods with the highest ratings consume less energy and are better for the environment.

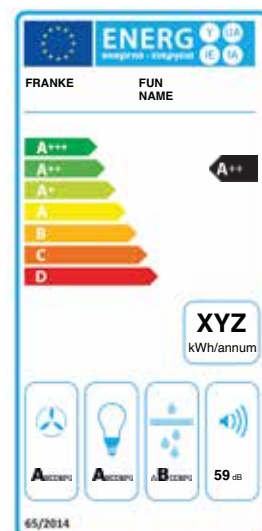
Annual Electricity Consumption (kWh/Annum): Calculated on the basis of standard hood operating times (1 hour of aspiration and 2 hours of lighting per day).

Fluid Dynamic Efficiency: This shows how much energy is converted by the motor group to produce the air flow.

Lighting Efficiency: This shows how much of the lamp's energy is converted. More light efficient hoods will consume less energy for the same lighting power.

Filter Efficiency: This indicates the filter's capacity to capture and retain grease.

Noise Level: This is measured in dB at the hood's maximum fan speed (not the intensive setting).



HOB EXTRACTOR



This model extracts vapour downwards, discreetly reducing unwanted odours and steam in the kitchen. Made for minimalist kitchens, this extractor is top of the class in efficiency.

DOWNDRAFT



For those wishing to make a real design statement, or just looking for something a little different, look no further than a downdraft hood. Featuring cutting-edge technology, the hood subtly retracts directly into the kitchen worktop at the touch of a button.

WALL-MOUNTED



Venting directly out of the wall, or set to recirculating mode, wall-mounted hoods offer a wide range of styles to suit your individual kitchen, each with innovative features and a premium finish.

ISLAND



In larger kitchens boasting an island cooking area, an island freestanding hood is the perfect complement to create a focal point for the space.

CEILING



As the name suggests, the hood is installed directly into the ceiling and represents an understated choice, which can lend a more open feel to a kitchen.

UNDER CABINET



If space is a priority in your kitchen, a built-in extractor hood is the ideal solution. The compact design fits neatly into a wall unit, with space for a spice rack in front. Saving space without compromising on efficiency.



FREQUENTLY ASKED QUESTIONS

1. How should a hood be properly installed?

The hood must be installed at a minimum distance of 65cm from the hob*. We recommend that you do not install it more than 75cm from the hob to properly remove vapours and steam. Choose pipes of 150mm in diameter (or no less than 120mm), with a ducting length of no longer than 3-4 metres, and with a maximum of 2 curves. WARNING: The warranty does not cover any damage caused by failure to observe minimum safety distances.

*This distance varies depending on the model style. Always check the installation manual for the correct measurement.

2. How can I identify my model of hood?

The model of hood is detailed on the label within the product (accessible by removing the metal/grid filters) with a code in the upper right of 7 or 9 digits starting at 63 ..., or a code of 10 digits.

3. How should I clean my hood?

Simply use a soft cloth and a neutral, chlorine-free detergent such as Franke Kitchen Care Cooker Hood Cleaner. Thanks to its professional formulation, Franke Kitchen Care Cooker Hood Cleaner effectively eliminates grease deposits and odours from your cooker hood, ensuring perfect cleanliness inside and out.

4. What is the difference between ducting out and recirculating?

It is preferable to install a hood on an outside wall, as this is the most effective and quiet solution; emitting polluted air outside via ducting, and drawing in new air. However, hoods can be installed onto party walls, or suspended from a ceiling. To install a hood in recycling/recirculating mode (i.e. with no ducting to outside) a Charcoal Filter must also be purchased - these can be obtained from our spare parts department: www.central-services.co.uk.

5. What ducting is recommended for the best extraction performance?

A ducting diameter of 150mm is recommended as the ideal for hoods with a capacity of 300 mc/h or height. If it is not possible to install this diameter of ducting, we recommend a 120mm diameter pipe. Smaller pipes adversely affect the flow rate and noise of the hood.

6. I am buying a 90cm hob - what size hood do I need?

You should purchase a hood no smaller than your hob size, eg when buying a 90cm hob you should purchase a hood measuring at least 90cm.

7. How can I reduce the noise of the hood if excessive?

The noise of a hood is generated by the airflow that passes inside it during operation. The internal components of our hoods have been built so that the airflow finds few obstacles to its passage, with excellent results in terms of effectiveness and low noise emission. An effective way of avoiding the increase in noise is to use, for the outflow of air, well-sized pipes (120-150mm in diameter). Dirty or saturated filters can hinder air flow: Periodic cleaning (or replacement) of filters ensures smooth air flow.

8. How do I perform an extraction test?

Before any "domestic" test, make sure the hood has been installed correctly following the installation steps contained in the instructions manual supplied with the product. This said, an "approximate" test can be performed by switching the hood on parallel to the cooker on which you can boil some water. If the installation is correct and poor extraction is caused by a fault in the product, you should call our technical team on 0161 436 6280.

9. What are the filters? How often do they need to be replaced?

Filters are an integral part of the hood, their maintenance affects the efficiency, safety and noise of the hood. Anti-grease filters protect the engine from the grease contained in vapours extracted by the hood. The metal filters on Franke hoods filter a high level of fat particles. To keep them efficient, just wash them by hand or dishwasher, on average every 2 months. Synthetic filters, possibly on some old models, are not washable and should be replaced when fat impregnated, about every 2 months. The odour filters are activated charcoal cartridges to be installed exclusively on hoods fitted in re-circulatory mode. They are not washable and should be replaced periodically, on average every 3 months. To find the appropriate carbon filter for your hood, see page 54.

10. Where can I order my hood spare parts or Franke Cooker Hood Cleaner from?

You can order spare parts or Franke Kitchen Care Cooker Hood Cleaner from: www.central-services.co.uk

AQ SENSE RANGE

Constantly monitoring and reacting to your air quality.



Keep the air you breathe clean and the atmosphere in your home pleasant with our innovative AQ-Sense hoods. Designed to constantly monitor indoor air quality and activate automatically when unsafe levels are detected, each model gives you up-to-date air quality information, via the dedicated Franke @ Home Cloud App.

The app also allows you to control each hood's many functions via your phone or tablet; switching aspiration on and off, adjusting extraction speeds or adapting light settings to provide the perfect ambiance.



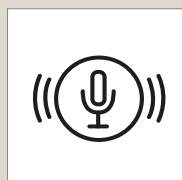
AIR QUALITY SENSOR

Constantly monitors VOC (Volatile Organic Compounds), air temperature and humidity to ensure your kitchen and home remain a fresh and pleasant environment.



FRANKE @ HOME CLOUD APP

As well as keeping you informed about the air quality in the kitchen, our mobile app allows you to easily control the hood, putting its many functions at your fingertips.



ALEXA* COMPATIBLE

All Franke AQ-Sense hoods are compatible with Amazon Alexa*, allowing you to use voice commands to switch the hood on and off, set the ventilation speed, activate the lights and check air quality, temperature and humidity levels.

(*device not included)

Features of AQ SENSE with touch screen



TOUCH SCREEN

21.5" Monitor with built-in browser.



CAMERA

From baby monitors to video doorbells, you can even connect IP or WIFI cameras to our AQ-Sense vertical flat model.



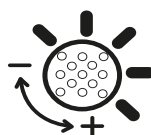
BUILT-IN BROWSER

Web browser allows you to access a world on online content directly from your hood - watch step-by-step cooking videos, play your favourite music, check the weather or catch up with the news.



MULTIPLE TIMERS

Manage several timers at the same time.



ADJUSTABLE WHITE LIGHT SETTINGS

Choose the white density of the light.



YOUR PICTURES

Customise the background and browse your favourite images.



AUTO FUNCTION

Automatically runs the hood at the minimum speed, for a few minutes each hour, to keep the atmosphere in your home fresh, right around the clock.

SOUND PRO

Enjoy the peace of cooking



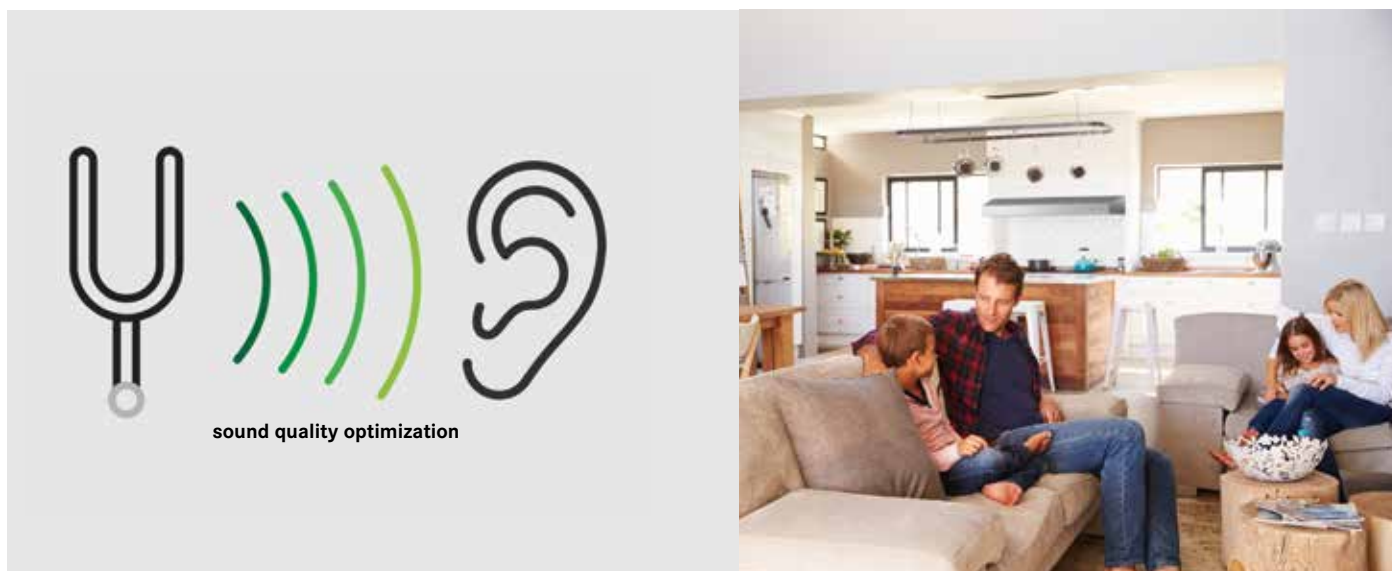
As kitchens become places for meeting and sharing moments at home, hoods increasingly need to combine high performances with silent motors. Following in-depth studies and extensive research, Franke was able to develop a solution: Sound PRO.

FLUID DYNAMIC OPTIMISATION

Thanks to an innovative design, the new motor significantly reduces turbulence and vortex of the internal air flow.

NOISE REDUCTION AND SOUND QUALITY OPTIMISATION

At maximum power, the new technology limits the noise threshold of the hood up to -6db^* , but it doesn't stop there. It also optimises the sound produced, reducing the disturbance caused by high frequencies.





HOB EXTRACTOR & DOWNDRAFT

Offering the ultimate in discreet extraction, both the hob extractor and the downdraft are cleverly integrated within the kitchen units.

NEW MARIS 2GETHER

Black with Cast Iron Grid

- 4 induction zones
- 2 flexi zones for big pans
- Direct touch control with one slider
- 9 levels plus booster function
- Timer for all zones
- Grease efficiency class B
- Dishwasher-proof grease filter
- Easy to clean

The Maris Hob Extractor powerfully extracts up to 700 m³/h of air from around pots and pans located in the hob's four cooking zones. Thanks to the flush-mounted robust cast-iron grid the hood is durable and heat-resistant, with an elegant black glass design which is flawlessly integrated into the worktop.

**Black**

FMA 839 HI

FUN: 340.0595.364

Priced at **£2247****FEATURES**

Installation type	Hob Extractor
Recirculating extraction	Yes
Ducted extraction	Yes
Rear venting	N/A
Energy class	A++
Extraction speeds	8 + 2 intensive levels
Controls	Capacitative Touch
Remote control	N/A
Motor type	Multifan A++
Easy-fit	N/A
Charcoal Filter (p55)	Not Included
Lighting	N/A

EXTRACTION PERFORMANCE

Speed	Minimum	Maximum	Intensive 1	Intensive 2
Air capacity (m ³ /h)	245	505	700	550
Input	35	125	220	140
Noise level (dB)	51	65	72	66



See page 59 for information on the aspiration kit and recirculating plinth kits

Features	Maris 2gether	Mythos 2gether
Energy Class	A++	A++
Interface	One slider control for all zones	Separate slider for each zone
Functions	1 hotplate level: Defrost or gently melt	3 hotplate levels: Cook/Keep warm at 42° Cook/Keep warm at 74° Cook/Keep warm at 92°
Hob Platform	Standard heat level control	More advanced induction function, improved temperature level variation
Display/ Lighting	Red	White




MYTHOS 2GETHER

Black with Cast Iron Grid

- 4 Induction zones
- Bridge cooking zones
- Childproof lock
- Hood automatically turns on when hob is in use
- Max Total Power: 7545 kW without power limit

The Mythos 2gether sits flush with the worktop, making it easy to slide your pans across each zone. The compact motor design saves space in the cabinet and is fully waterproof, offering complete safety.

 See page 59 for information on the aspiration kit and recirculating plinth kits

83

Black

FMY 839 HI

FUN: 340.0597.249

Priced at **£2706**



FEATURES

Installation type	Hob Extractor
Recirculating extraction	Yes
Ducted extraction	Yes
Rear venting	N/A
Energy class	A++
Extraction speeds	8 + 2 intensive levels
Controls	Capacitive Touch
Remote control	No
Motor type	Multifan++
Easy-fit	N/A
Charcoal Filter (p55)	Not included
	112.0548.447 or 112.0548.448
Lighting	N/A

EXTRACTION PERFORMANCE

Speed	Minimum	Maximum	Intensive
Air capacity (m ³ /h)	245	505	700
Input	35	125	220
Noise level (dB)	51	65	72



DOWNDRAFT

Black Glass with Stainless Steel

The motorised Downdraft hood allows for an unobtrusive, subtle kitchen style. The motor is situated in the cabinet underneath the hob which can be vented externally, or in recirculating mode.



88

Black Glass
FDW 908 IB XS
FUN: 110.0365.588

Priced at **£1563**

FEATURES

Installation type	Downdraft
Recirculating extraction	Yes
Ducted extraction	Yes
Rear venting	N/A
Energy class	B
Extraction speeds	4+ Boost
Controls	Capacitative Touch
Remote control	No
Motor type	Energy 800+
Easy-fit	N/A
Charcoal Filter (p55)	Not Included
	112.0262.703
Lighting	LED bar

EXTRACTION PERFORMANCE

Speed	Minimum	Maximum	Intensive
Air capacity (m ³ /h)	160	420	670
Input	65	190	270
Noise level (dB)	38	57	69



WALL-MOUNTED

Our Wall-Mounted hoods have been designed to deliver powerful extraction rates and can be a stunning focal point in any kitchen.

For up to date pricing, please go to
franke.co.uk/brochures



NEW AQ SENSE MONITOR

Black

The AQ Sensor Wall Hood will constantly monitor the air quality within your kitchen and adjust the ventilation to suit. It will measure temperature, humidity and the presence of VOC's (volatile organic compounds which are harmful to health) and adjust accordingly. The AQ Sensor Wall Hood also boasts WIFI connectivity and 21" colour touch screen to enable you to watch your favourite videos and recipes via a web browser while you are cooking.

This hood is also app-enabled allowing you to control the settings via your mobile phone, or alternatively use Amazon Alexa!

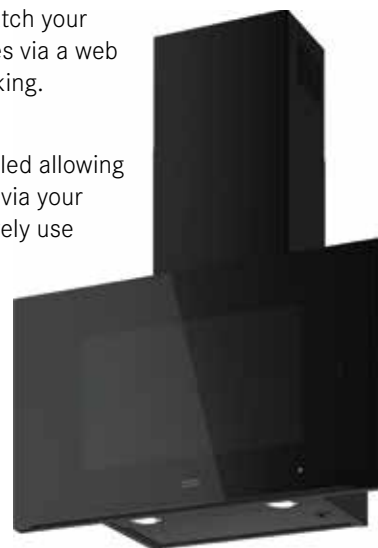


Black

KAS A80 BK Z1

FUN: 330.0657.269

Priced at **£3852**



FEATURES

Installation type	Wall
Recirculating extraction	Yes
Ducted extraction	Yes
Rear venting	N/A
Energy class	A
Extraction speeds	3+i
Controls	Touch, Vocal control, Mobile APP
Remote control	Yes - optional
Motor type	SPA+
Easy-fit	N/A
Charcoal Filter (p55)	Not Included
	112.0157.240
Lighting	LED x 2

EXTRACTION PERFORMANCE

Speed	Minimum	Maximum	Intensive
Air capacity (m ³ /h)	280	550	740
Input	150	240	250
Noise level (dB)	48	62	67



For more information, please see page 8

NEW AQ SENSE VERTICAL

Black

The AQ Sense Vertical Wall Hood will ensure your kitchen is clean and safe. By monitoring humidity, and levels of VOC's (volatile organic compounds) this hood will auto-activate when acceptable levels are exceeded.

Operating the hood could not be simpler and can be controlled by your mobile phone app or even by talking to your Amazon Alexa!



Metallic Glass

FVAS A80BK

FUN: 330.0657.270

Priced at **£1284****FEATURES**

Installation type	Wall
Recirculating extraction	Yes
Ducted extraction	Yes
Rear venting	No
Energy class	A+
Extraction speeds	3+i
Controls	Touch, Vocal control, Mobile APP
Remote control	Yes - optional
Motor type	SPA+
Easy-fit	No
Charcoal Filter (p55)	Not Included
	112.0157.240
Lighting	LED x 2

EXTRACTION PERFORMANCE

Speed	Minimum	Maximum	Intensive
Air capacity (m ³ /h)	300	620	770
Input	150	240	250
Noise level (dB)	48	63	68



For more information, please see page 8



For up to date pricing, please go to
[franke.co.uk/brochures](https://www.franke.co.uk/brochures)





For up to date pricing, please go to
franke.co.uk/brochures

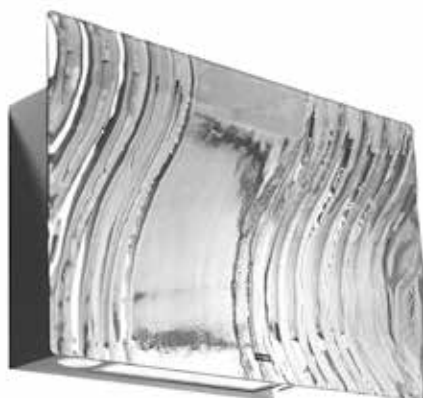


MARIS FREE

Metallic Glass

A true work of art, each Maris Free hood is a unique design statement. The wave effect is created by hand, making each hood an exclusive design, offering a 'work of art' for your kitchen wall. An Italian handmade metallic glass finish that pairs up beautifully with the Maris Free tap.

Wall-mounted, it can be fitted in ducted or recirculatory mode and incorporates double vented extraction, where the front panel can be opened for extra ventilation.



80

Metallic Glass

MARIS FREE 80
FUN: 330.0542.181

Priced at **£1322**

Chimney Kit: 112.0512.465 **£199**

FEATURES

Installation type	Wall
Recirculating extraction	Yes
Ducted extraction	Yes
Rear venting	No
Energy class	A
Extraction speeds	3+i
Controls	Capacitive Touch
Remote control	No
Motor type	Nautilus
Easy-fit	No
Charcoal Filter (p55)	Included
	112.0512.466
Lighting	LED x 2

EXTRACTION PERFORMANCE

Speed	Minimum	Maximum	Intensive
Air capacity (m ³ /h)	240	460	570
Input	100	125	135
Noise level (dB)	53	69	73





The best anti-drip technology available for Wall-Mounted Hoods, suited to modern induction hobs.



Exclusive design combining together matt and glossy black. The control panel is glossy while the lower section is matt to hide finger prints.

DRIP FREE THERMO-RESISTANCE BUTTON

At the touch of a button the heated glass panel stops condensation while the shape of the frontal filter area prevents drips forming. A simple touch of a button takes care of condensation, ensuring nothing drips down onto the hob or into your food.



NEW MARIS DRIP FREE

Black



An ideal blend of stylish design and practical performance, the Maris Drip Free Hood not only tackles odours but also combats condensation – preventing droplets from falling onto the hob.

The simple touch of a button activates the hood's drip free thermo-resistance function, directly tackling moisture and ensuring units and surfaces are safe from water damage. Additionally, hoods feature a recirculating mode plus odour eliminating charcoal filter to keep kitchens smelling fresh throughout the day.

Consisting of a single glass panel design with no hinges or gaps, the Maris Drip Free Hood is easy to clean and promotes greater hygiene in the kitchen. For visibility and easy operation, the hood features a glossy black control panel while the main section is a textured matt finish that contributes to its 'always dry' look.

Comes complete with chimney kit.

**Black**

FVAD A90 BK MATT
FUN: 330.0657.418

Priced at **£1177**

**FEATURES**

Installation type	Wall
Recirculating extraction	Yes
Ducted extraction	Yes
Rear venting	No
Energy class	A
Extraction speeds	3+i
Controls	Capacitive Touch
Remote control	N/A
Motor type	SPA+
Easy-fit	No
Charcoal Filter (p55)	Included 112.0016.755
Lighting	LED x 2

EXTRACTION PERFORMANCE

Speed	Minimum	Maximum	Intensive
Air capacity (m ³ /h)	290	600	740
Input	150	240	250
Noise level (dB)	48	56	68

For up to date pricing, please go to franke.co.uk/brochures



SOUND PRO

HUSH, it's cooking time!

As kitchens become places for meeting and sharing moments at home, hoods increasingly need to combine high performances with silent motors. Following in-depth studies and extensive research, Franke developed a solution: Sound PRO.

NOISE REDUCTION AND SOUND QUALITY OPTIMISATION

At maximum power, the new technology limits the noise threshold of the hood up to -6db, but it doesn't stop there. It also optimizes the sound produced, reducing the disturbance caused by high frequencies.



NEW AVANT SILENCE

Stainless Steel/Black

Adding a touch of understated class to any kitchen, these hoods are designed to satisfy all possible requirements for style, practicality and functionality, combining high performance with the bonus of a silent motor. Thanks to an innovative design, the new motor significantly reduces the turbulence of the internal air flow. Also includes additional adjustable light temperature control 3000K and 24 hour air circulation mode.



90

Stainless Steel/Black

FTLN H45 X/BK GLASS A90 FRK

FUN: 325.0657.267

Priced at **£1070**

Chimney Extension: 112.0017.983 **£156**

FEATURES

Installation type	Wall
Recirculating extraction	Yes
Ducted extraction	Yes
Rear venting	No
Energy class	A+
Extraction speeds	3+i
Controls	Capacitative Touch
Remote control	N/A
Motor type	SPA++
Easy-fit	No
Charcoal Filter (p55)	Included
	112.0016.756
Lighting	LED x 2

EXTRACTION PERFORMANCE

Speed	Minimum	Maximum	Intensive
Air capacity (m ³ /h)	285	470	750
Input	165	240	270
Noise level (dB)	48	57	68

For up to date pricing, please go to franke.co.uk/brochures



UPDATED

MARIS Chimney Kit: 112.0285.288 **£84**
Black Glass

A stunning angled glass design with dot matrix display available in three sizes with light intensity options, suitable for ducting vertically.



Priced at **£902**

Black
FMA 607 BK
FUN: 330.0550.057



Priced at **£963**

Black
FMA 807 BK
FUN: 330.0550.058



Priced at **£1023**

Black
FMA 907 BK
FUN: 330.0550.059



FEATURES

Installation type	Wall
Recirculating extraction	Yes
Ducted extraction	Yes
Rear venting	Yes
Energy class	A+
Extraction speeds	3+i
Controls	Capacitative Touch
Remote control	No
Motor type	SPA++
Easy-fit	No
Charcoal Filter (p55)	Included 112.0016.755
Lighting	LED x 2

EXTRACTION PERFORMANCE

Speed	Minimum	Maximum	Intensive
Air capacity (m ³ /h)	280	470	800
Input W	160	230	270
Noise level (dB)	48	57	69



TRENDLINE PLUS

Matt Black or Oyster

With a choice of modern Matt Black or On-Trend Oyster colours, add a touch of urban style to your kitchen with the Trendline Plus.



Priced at **£715**

Matt Black

TRENDLINE PLUS BK 70
FUN: 321.0536.200



Priced at **£715**

Oyster

TRENDLINE PLUS OY 70
FUN: 321.0536.201



FEATURES

Installation type	Wall
Recirculating extraction	Yes
Ducted extraction	Yes
Rear venting	No
Energy class	B
Extraction speeds	3
Controls	Rotary
Remote control	No
Motor type	SPA+
Easy-fit	No
Charcoal Filter (p55)	Not Included 112.0016.755
Lighting	LED x 2

EXTRACTION PERFORMANCE

Speed	Minimum	Maximum	Intensive
Air capacity (m ³ /h)	280	420	600
Input	150	200	250
Noise level (dB)	45	52	62



EVO PLUS

Black or White with Stainless Steel

Quietly does it with the energy efficient Evo Plus which boasts powerful extraction and a low noise rating. This hood is also supplied with both carbon filter & chimney kit to suit any installation

For up to date pricing, please go to
franke.co.uk/brochures



FEATURES

Installation type	Wall
Recirculating extraction	Yes
Ducted extraction	Yes
Rear venting	No
Energy class	A
Extraction speeds	3+i
Controls	Capacitative Touch
Remote control	No
Motor type	SPA+
Easy-fit	No
Charcoal Filter (p55)	Included
	112.0016.755
Lighting	LED x 2
Chimney	Included

EXTRACTION PERFORMANCE

Speed	Minimum	Maximum	Intensive
Air capacity (m ³ /h)	300	620	770
Input W	150	240	250
Noise level (dB)	48	63	68



60

White with Stainless Steel
FPJ 625 V WH/SS
FUN: 330.0590.441

Priced at **£599**



60

Black with Stainless Steel
FPJ 625 V BK/SS
FUN: 330.0590.444

Priced at **£599**



70

White with Stainless Steel
FPJ 725 V WH/SS
FUN: 330.0590.442

Priced at **£637**



70

Black with Stainless Steel
FPJ 725 V BK/SS
FUN: 330.0590.445

Priced at **£637**



90

White with Stainless Steel
FPJ 925 V WH/SS
FUN: 330.0590.443

Priced at **£692**



90

Black with Stainless Steel
FPJ 925 V BK/SS
FUN: 330.0590.446

Priced at **£692**



For up to date pricing, please go to franke.co.uk/brochures



TUBE WALL Stainless Steel

Optional Glass Kit: 112.0157.281 **£334**

A slim design to maximise workspace in smaller kitchens, with a compact 37cm width. This hood also boasts perimeter extraction for superior efficiency.



Stainless Steel
FTU PLUS 3707 XS
FUN: 335.0590.492

Priced at **£599**

FEATURES

Installation type	Wall
Recirculating extraction	Yes
Ducted extraction	Yes
Rear venting	No
Energy class	A
Extraction speeds	3+i
Controls	Push Button
Remote control	Yes - Optional
Motor type	SPA+
Easy-fit	No
Charcoal Filter (p55)	Not Included 112.0016.756
Lighting	LED x 2

EXTRACTION PERFORMANCE

Speed	Minimum	Maximum	Intensive
Air capacity (m ³ /h)	280	570	700
Input	150	240	250
Noise level (dB)	48	65	69



SMART DECO

Green, Soft Grey or Mustard

The on-trend hood for a splash of colour. Its modern truncated-cone shape will establish a cosy atmosphere in your kitchen. Add an industrial aesthetic with the angled chimney kit.

Angled Chimney Kit:
112.0549.122 **£240**



Priced at **£595**



Green

FSMD 508 GN
FUN: 335.0589.427



Priced at **£595**



Soft Grey

FSMD 508 GY
FUN: 335.0589.426



Priced at **£595**



Mustard

FSMD 508 YL
FUN: 335.0589.428

FEATURES

Installation type	Wall
Recirculating extraction	Yes
Ducted extraction	Yes
Rear venting	No
Energy class	A
Extraction speeds	3
Controls	Rotary
Remote control	No
Motor type	SP 600 A+
Easy-fit	No
Charcoal Filter (p55)	Included
	112.0016.755
Lighting	LED Bar

EXTRACTION PERFORMANCE

Speed	1 Minimum	2	3 Maximum
Air capacity (m³/h)	270	370	630
Input	150	200	250
Noise level (dB)	47	54	65

Wall-Mounted

For up to date pricing, please go to
franke.co.uk/brochures





60

Stainless Steel
FDF EV8 60 XS
FUN: 325.0599.575

Priced at **£342**



70

Stainless Steel
FDF EV8 70 XS
FUN: 325.0599.576

Priced at **£347**



90

Stainless Steel
FDF EV8 90 XS
FUN: 325.0599.549

Priced at **£361**



90

Black
FDF EV8 90 BK
FUN: 325.0599.574

Priced at **£393**

FORMAT 45

Stainless Steel or Black

A great value professional T-Shape hood available in Stainless Steel or Black finishes.

FEATURES

Installation type	T-Shape Wall
Recirculating extraction	Yes
Ducted extraction	Yes
Rear venting	No
Energy class	B
Extraction speeds	3+i
Controls	Push button
Remote control	No
Motor type	SP 800
Easy-fit	No
Charcoal Filter (p55)	Not included 112.0016.756
Lighting	LED x 2

EXTRACTION PERFORMANCE

Speed	Minimum	Maximum	Intensive
Air capacity (m ³ /h)	290	610	710
Input	130	210	250
Noise level (dB)	50	66	69

For up to date pricing, please go to
franke.co.uk/brochures





T-GLASS RAY

Stainless Steel

Great looks meet great value in this timeless curved glass and Stainless Steel design that will suit all kinds of kitchens.

60

Stainless Steel

FGC 625 XS NP
FUN: 325.0591.034

Priced at **£326**



70

Stainless Steel

FGC 725 XS NP
FUN: 325.0591.035

Priced at **£338**



90

Stainless Steel

FGC 925 XS NP
FUN: 325.0591.036

Priced at **£361**



FEATURES

Installation type	T-Shape Wall
Recirculating extraction	Yes
Ducted extraction	Yes
Rear venting	No
Energy class	B
Extraction speeds	3+i
Controls	Push button
Remote control	No
Motor type	SP 800
Easy-fit	Yes
Charcoal Filter (p55)	Not Included 112.0016.756
Lighting	LED x 2

EXTRACTION PERFORMANCE

Speed	Minimum	Maximum	Intensive
Air capacity (m ³ /h)	300	600	700
Input	130	210	210
Noise level (dB)	52	67	70



T-GLASS NICE

Stainless Steel

A stylish hood at a very affordable price. It's easy to fall for this straight cutting edge glass design.



Stainless Steel
FGL 625 XS NP
FUN: 325.0590.997

Priced at **£326**



Stainless Steel
FGL 925 XS NP
FUN: 325.0590.996

Priced at **£361**



FEATURES

Installation type	T-Shape Wall
Recirculating extraction	Yes
Ducted extraction	Yes
Rear venting	No
Energy class	B
Extraction speeds	3+i
Controls	Push button
Remote control	No
Motor type	SP 800
Easy-fit	Yes
Charcoal Filter (p55)	Not Included 112.0016.756
Lighting	LED x 2

EXTRACTION PERFORMANCE

Speed	Minimum	Maximum	Intensive
Air capacity (m ³ /h)	300	600	700
Input	130	210	250
Noise level (dB)	52	67	70

For up to date pricing, please go to franke.co.uk/brochures



GAVIA

Stainless Steel or Black

Get the best atmosphere in your kitchen with this great value, wall-mounted cooker hood.

60
 Stainless Steel
 FDL 665XSL 1
 FUN: 320.0521.537
 Priced at **£219**

90
 Stainless Steel
 FDL 965XSL 1
 FUN: 320.0521.538
 Priced at **£232**

60
 Black
 FDL 665 BK
 FUN: 320.0588.862
 Priced at **£238**

90
 Black
 FDL 965 BK
 FUN: 320.0595.095
 Priced at **£251**



FEATURES

Installation type	T-Shape Wall
Recirculating extraction	Yes
Ducted extraction	Yes
Rear venting	No
Energy class	D
Extraction speeds	3
Controls	Round Push Buttons
Remote control	No
Motor type	SP 400
Easy-fit	No
Charcoal Filter (p55)	Not Included
	112.0016.755
Lighting	LED x2

EXTRACTION PERFORMANCE

Speed	1 Minimum	2	3 Maximum
Air capacity (m³/h)	240	320	400
Input	70	90	120
Noise level (dB)	53	60	63

For up to date pricing, please go to
franke.co.uk/brochures



JOY

Stainless Steel

Experience the happiness of a fresh smelling kitchen with this Stainless Steel hood, which will make the perfect addition to any modern kitchen at an extremely affordable price.

60

Stainless Steel

FJO 624 XS

FUN: 320.0545.169

Priced at **£141**



90

Stainless Steel

FJO 924 XS

FUN: 320.0545.172

Priced at **£161**



FEATURES

Installation type	T-Shape Wall
Recirculating extraction	Yes
Ducted extraction	Yes
Rear venting	No
Energy class	D
Extraction speeds	3
Controls	Square Push Buttons
Remote control	No
Motor type	New Smile 450
Easy-fit	No
Charcoal Filter (p55)	Not Included
	112.0067.942
Lighting	LED x2

EXTRACTION PERFORMANCE

Speed	Minimum	Maximum	Intensive
Air capacity (m ³ /h)	255	330	430
Input	95	125	145
Noise level (dB)	58	62	67



ISLAND

Space enhancing Island hoods provide a wonderful focal point in the kitchen

SOUND PRO

HUSH, it's cooking time!

As kitchens become places for meeting and sharing moments at home, hoods increasingly need to combine high performances with silent motors. Following in-depth studies and extensive research, Franke was able to develop a solution: Sound PRO.

NOISE REDUCTION AND SOUND QUALITY OPTIMISATION

At maximum power, the new technology limits the noise threshold of the hood up to -6db*, but it doesn't stop there. It also optimizes the sound produced, reducing the disturbance caused by high frequencies.



NEW AVANT SILENCE

Stainless Steel/Black

A striking combination of power, quietness and innovative technology, without any compromise on design.



90

Stainless Steel/Black
FTLN I H45 X/BK GLASS A90
FUN: 325.0657.268

Priced at **£1498**

FEATURES

Installation type	Island
Recirculating extraction	Yes
Ducted extraction	Yes
Rear venting	No
Energy class	A+
Extraction speeds	3+i
Controls	Capacitive touch
Remote control	N/A
Motor type	SPA++
Easy-fit	No
Charcoal Filter (p55)	Included
	112.0016.756
Lighting	LED x 4

EXTRACTION PERFORMANCE

Speed	Minimum	Maximum	Intensive
Air capacity (m ³ /h)	285	470	750
Input	165	240	270
Noise level (dB)	48	57	68





For up to date pricing, please go to
[franke.co.uk/brochures](https://www.franke.co.uk/brochures)





reddot winner 2022

Hanging from three wires, the Smart Suspended hoods make a unique impression, with clean lines and a distinguished shape. Visitors could be forgiven for thinking it was a designer light fitting.

Easy to clean

Simple linear surface makes it easy-to-clean.

Easy to use

Simple to change plug-in carbon filter, making ongoing maintenance hassle free.

Best performance

A-Class rated energy efficiency, with impressively high air capacity and an impressively low noise level.

NEW SMART SUSPENDED

Stainless Steel, White or Black

This new suspended cooker hood is distinguished by clean, simple shapes, synonymous with a modern design.

Available in three chic finishes; Matt black, Matt White and Stainless Steel, combine sleek design with cutting edge technology. They will make a real statement in the modern home, whilst making light work when it comes to keeping kitchens steam and odour free.



42

Stainless Steel

FSMS F42 SS/BK MATT
FUN: 345.0654.870

Priced at **£1059**



42

White

FSMS F42 WH MATT
FUN: 345.0654.932

Priced at **£1059**



42

Black

FSMS F42 BK MATT
FUN: 345.0654.933

Priced at **£1059**



FEATURES

Installation type	Island
Recirculating extraction	Yes
Ducted extraction	No
Rear venting	No
Energy class	A
Extraction speeds	3+i
Controls	Push button
Remote control	N/A
Motor type	SPA+
Easy-fit	No
Charcoal Filter (p55)	Included 112.0016.755
Lighting	LED x 2

EXTRACTION PERFORMANCE

Speed	Minimum	Maximum	Intensive
Air capacity (m ³ /h)	270	580	740
Input	150	240	250
Noise level (dB)	53	66	70



TUBE ISLAND

Optional Glass Kit: 112.0050.075 **£346**

Stainless Steel

Whichever way you look at it, Tube Island is an all-round fantastic addition to any kitchen, with a compact 37cm width.



37

Stainless Steel

FTU PLUS 3707 IXS
FUN: 335.0591.195

Priced at **£961**

FEATURES

Installation type	Island
Recirculating extraction	Yes
Ducted extraction	Yes
Rear venting	No
Energy class	A
Extraction speeds	3+i
Controls	Push Button
Remote control	Yes - optional
Motor type	EVO Plus
Easy-fit	Yes
Charcoal Filter (p55)	Not Included
	112.0016.756
Lighting	LED

EXTRACTION PERFORMANCE

Speed	Minimum	Maximum	Intensive
Air capacity (m ³ /h)	290	570	670
Input W	190	255	270
Noise level (dB)	52	66	70



T-GLASS LINEAR ISLAND

Stainless Steel

A great value T-shape stainless steel and glass island hood, with superior extraction.



90

Stainless Steel
FGL 925 IXS NP
FUN: 325.0590.061

Priced at **£683**

FEATURES

Installation type	T-Shape Island
Recirculating extraction	Yes
Ducted extraction	Yes
Rear venting	No
Energy class	B
Extraction speeds	3+i
Controls	Push Button
Remote control	No
Motor type	SP 800
Easy-fit	No
Charcoal Filter (p55)	Not Included
	112.0016.756
Lighting	LED x 4

EXTRACTION PERFORMANCE

Speed	Minimum	Maximum	Intensive
Air capacity (m ³ /h)	300	600	700
Input	130	210	250
Noise level (dB)	52	67	70



T-GLASS CURVED ISLAND

Stainless Steel

Built for powerful, efficient extraction be tempted by the cool curves and great value of this appealing island hood.



90

Stainless Steel
FGC 925 | XS NP
FUN: 325.0590.064

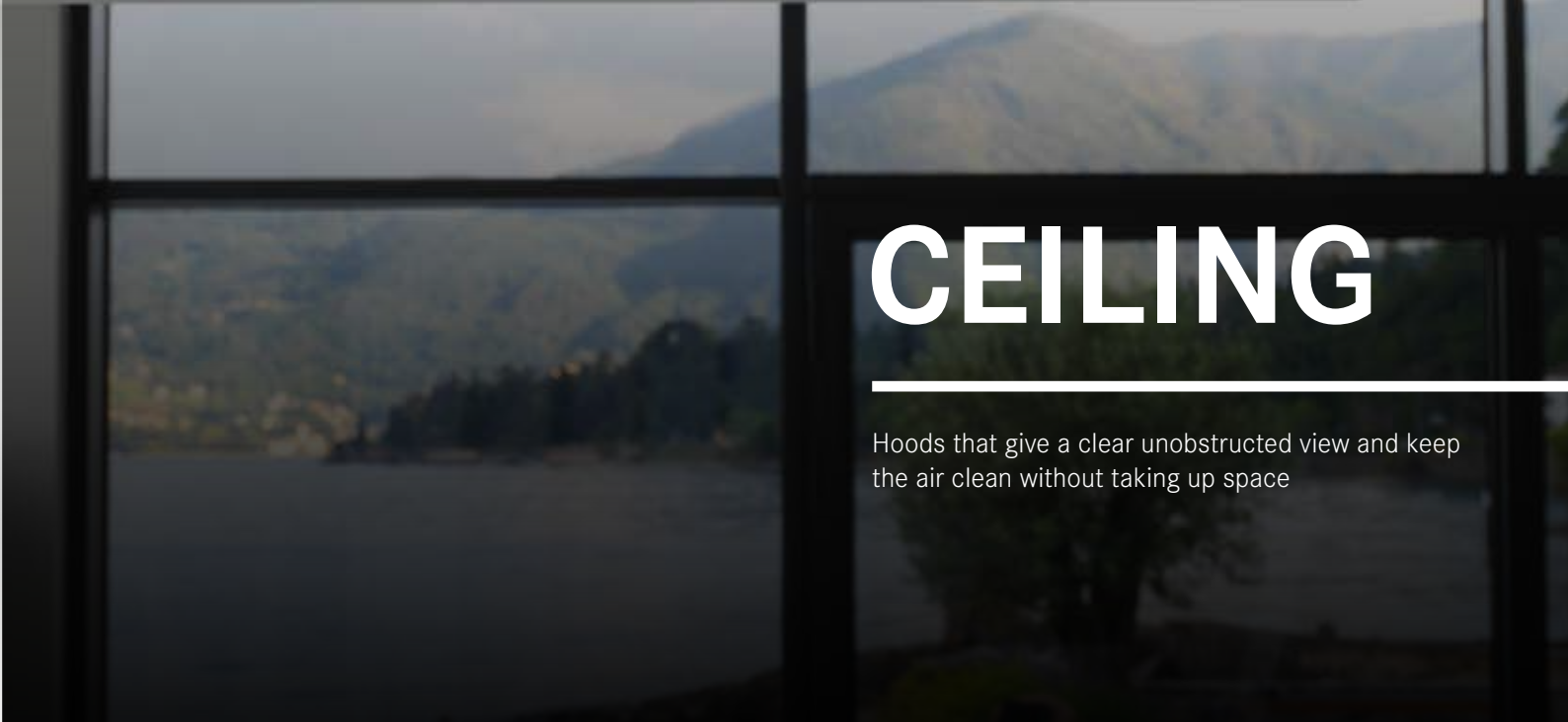
Priced at **£683**

FEATURES

Installation type	T-Shape Island
Recirculating extraction	Yes
Ducted extraction	Yes
Rear venting	No
Energy class	B
Extraction speeds	3+i
Controls	Push Button
Remote control	No
Motor type	SP 800
Easy-fit	No
Charcoal Filter (p55)	Not Included
	112.0016.756
Lighting	LED x 4

EXTRACTION PERFORMANCE

Speed	Minimum	Maximum	Intensive
Air capacity (m ³ /h)	300	600	700
Input	130	210	250
Noise level (dB)	52	67	70



CEILING

Hoods that give a clear unobstructed view and keep the air clean without taking up space

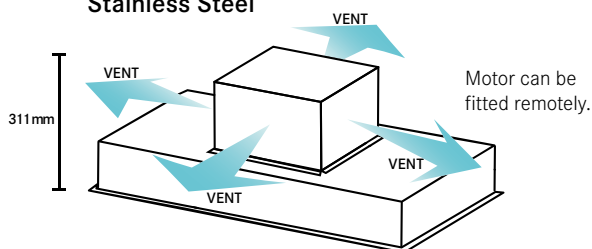
For up to date pricing, please go to
franke.co.uk/brochures



For more information, please see page 8



NEW AQ SENSE CEILING Stainless Steel



The AQ-Sense Ceiling hood keeps the air in your home clean - constantly monitoring air quality and activating automatically if unsafe levels are detected. Constantly monitors VOC (Volatile Organic Compounds), air temperature and humidity to ensure your kitchen and home remain a fresh and pleasant environment. There's an auto and 24 hour function, Franke Cloud App and is also Alexa compatible so controlling the hood is easy with either voice or remote control.



Priced at **£1712**

Stainless Steel
 FCAS A90 XS
 FUN: 350.0657.264



FEATURES

Installation type	Ceiling
Recirculating extraction	Yes
Ducted extraction	Yes
Rear venting	No
Energy class	A
Extraction speeds	3+i
Controls	Vocal control, Mobile APP
Remote control	Yes - Included
Motor type	SPA+
Easy-fit	Yes
Charcoal Filter (p55)	Not Included
	112.0016.755
Lighting	LED x 2

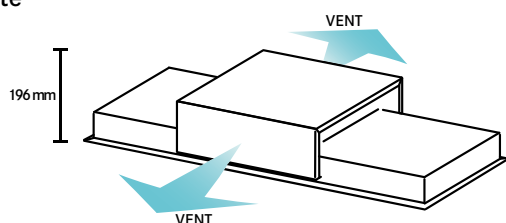
EXTRACTION PERFORMANCE

Speed	Minimum	Maximum	Intensive
Air capacity (m ³ /h)	290	610	770
Input	150	240	250
Noise level (dB)	48	56	68



MYTHOS FLAT

White



The premium ceiling hood with large illuminated panel displays a warm to cool white light to set the mood in the room. The overall height is a slim 20cm, allowing easy installation into tight ceiling spaces.



90

Priced at **£1924**

White

FMYCF 906 WH

FUN: 350.0518.554

FEATURES

Installation type	Ceiling
Recirculating extraction	Yes
Ducted extraction	Yes
Rear venting	No
Energy class	A
Extraction speeds	3+i
Controls	Remote
Remote control	Yes - Included
Motor type	Radical Brushless
Easy-fit	No
Charcoal Filter (p55)	Not Included
	112.0339.360
Lighting	LED Panel

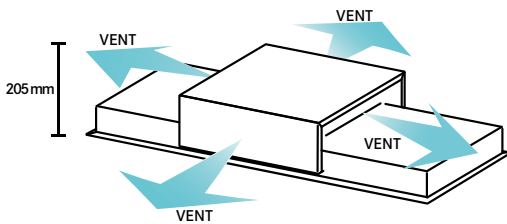
EXTRACTION PERFORMANCE

Speed	Minimum	Maximum	Intensive
Air capacity (m ³ /h)	320	560	640
Input W	40	120	145
Noise level (dB)	64	69	72



UPDATED

MARIS FLAT
 Stainless Steel, White or Black



This versatile design blends seamlessly into the kitchen ceiling to provide powerful extraction as well as style. Ideal for sitting above a large hob or above an island unit. Now with a compact 200mm high motor for a more flexible installation, and available in two colour options.

FEATURES

Installation type	Ceiling
Recirculating extraction	Yes
Ducted extraction	Yes
Rear venting	No
Energy class	A+
Extraction speeds	3+i
Controls	Remote
Remote control	Yes - included
Motor type	MULTIFAN A++
Easy-fit	No
Charcoal Filter (p55)	Not Included
	112.0339.360
Lighting	LED x 4

EXTRACTION PERFORMANCE

Speed	Minimum	Maximum	Intensive
Air capacity (m ³ /h)	190	510	700
Input	10	80	220
Noise level (dB)	43	66	72

For up to date pricing, please go to
franke.co.uk/brochures



UNDER CABINET

Discreet and hidden. Under cabinet hoods reduce the aesthetic impact of the hood in the kitchen and integrate perfectly within the cupboards.

ATMOS STEAM OFF

Stainless Steel/Glass

Condensation free comfort, as the Atmos Steam Off actively captures condensation and cooking fumes. Easy installation into the cabinet, with only minor modifications required.

60

Stainless Steel/Glass

ATMOS 604

FUN: 305.0504.069

Priced at **£901**



90

Stainless Steel/Glass

ATMOS 904

FUN: 305.0504.066

Priced at **£949**



Note: Patented Steam Control Function to reduce and relieve condensation.

FEATURES

Installation type	Built-In
Recirculating extraction	Yes
Ducted extraction	Yes
Rear venting	No
Energy class	A
Extraction speeds	3+i
Controls	Buttons
Remote control	Yes - Optional
Motor type	Energy C
Easy-fit	Yes
Charcoal Filter (p55)	Not Included
	112.0542.064 £50
Lighting	LED x 2

EXTRACTION PERFORMANCE

Speed	Minimum	Maximum	Intensive
Air capacity (m ³ /h)	140	320	430
Input W	80	100	125
Noise level (dB)	52	66	70



NEW

BOX FLUSH

To seamlessly fit within stylish home kitchens

With a flush frame design that integrates seamlessly into cabinets, Box Flush hoods are the perfect fit for your home and style.

Designed for intuitive operation, these powerful built-in hoods feature slim LED lighting and have no protruding buttons or controls. This improves the overall aesthetics and is easy to clean and maintain.

There's a choice of two models - our B energy rated Box Flush Evo model featuring flush controls available in Stainless Steel, Matt Black or White Matt finishes. Or our A energy rated Box Flush Premium model with remote and voice control, in Stainless Steel.

Featuring 3 speed settings plus a boost to quickly take care of steam and odours, the subtle yet stylish Box Flush ensures nothing gets in your way when cooking.

NEW BOX PLUS PREMIUM

Stainless Steel

Minimalistic design with no visible controls for a perfect cleanability and features remote and voice control. Its adjustable white LED lighting makes it an elegant and exceptionally efficient choice.

Cooks can also link the Box Flush Premium to any Alexa or Google Home compatible device, allowing access to some features using just voice – leaving hands free to focus on the cooking.

- Alexa compatible
- Flush mounted
- 24 hour circulation mode
- 30 minute delay mode
- Grease filter alarm
- Adjustable light intensity
- Adjustable light temperature



Stainless Steel
FBFP XS A52
FUN: 305.0665.368

Priced at **£642**



Stainless Steel
FBFP XS A70
FUN: 305.0665.369

Priced at **£685**



FEATURES BOX FLUSH PREMIUM 52cm

Installation type	Built-In
Recirculating extraction	Yes
Ducted extraction	Yes
Rear venting	No
Energy class	B
Extraction speeds	3+i
Controls	Touch, Vocal control, Mobile APP
Remote control	Yes - included
Motor type	SPA+
Easy-fit	Yes
Charcoal Filter (p55)	Not Included
	112.0016.755
Lighting	LED Bar

EXTRACTION PERFORMANCE

Speed	Minimum	Maximum	Intensive
Air capacity (m ³ /h)	260	580	670
Input W	150	240	250
Noise level (dB)	54	66	69

FEATURES BOX FLUSH PREMIUM 70cm

Installation type	Built-In
Recirculating extraction	Yes
Ducted extraction	Yes
Rear venting	No
Energy class	A
Extraction speeds	3+i
Controls	Touch, Vocal control, Mobile APP
Remote control	Yes - included
Motor type	SPA+
Easy-fit	Yes
Charcoal Filter (p55)	Not Included
	112.0016.755
Lighting	LED Bar

EXTRACTION PERFORMANCE

Speed	Minimum	Maximum	Intensive
Air capacity (m ³ /h)	290	610	720
Input W	150	240	250
Noise level (dB)	47	64	68



NEW BOX EVO

Black/White or Stainless Steel

The Box Flush Evo model featuring flush controls, comes in a choice of three finishes: Stainless Steel, Matt Black or Matt White to fit in with any modern kitchen. The Evo has a B energy rating and features rectangular LED spotlighting, making it both an elegant and efficient choice.





52

Stainless Steel
FBFE XS A52
FUN: 305.0675.745

Priced at **£482**

70

Stainless Steel
FBFE XS A70
FUN: 305.0675.746

Priced at **£524**

52

White
FBFE WH MATT A52
FUN: 305.0670.685

Priced at **£482**

70

White
FBFE WH MATT A70
FUN: 305.0670.686

Priced at **£524**

52

Black
FBFE BK MATT A52
FUN: 305.0670.688

Priced at **£482**

70

Black
FBFE BK MATT A70
FUN: 305.0670.687

Priced at **£524**

FEATURES BOX FLUSH EVO 52cm

Installation type	Built-In
Recirculating extraction	Yes
Ducted extraction	Yes
Rear venting	No
Energy class	B
Extraction speeds	3+i
Controls	Push button
Remote control	N/A
Motor type	SP800
Easy-fit	Yes
Charcoal Filter (p55)	Not Included 112.0016.755
Lighting	LED Bar

EXTRACTION PERFORMANCE

Speed	Minimum	Maximum	Intensive
Air capacity (m ³ /h)	280	570	670
Input W			
Noise level (dB)	47	63	66

FEATURES BOX FLUSH EVO 70cm

Installation type	Built-In
Recirculating extraction	Yes
Ducted extraction	Yes
Rear venting	No
Energy class	B
Extraction speeds	3+i
Controls	Push button
Remote control	N/A
Motor type	SP800
Easy-fit	Yes
Charcoal Filter (p55)	Not Included 112.0016.755
Lighting	LED Bar

EXTRACTION PERFORMANCE

Speed	Minimum	Maximum	Intensive
Air capacity (m ³ /h)	280	570	670
Input W			
Noise level (dB)	47	63	66



For up to date pricing, please go to franke.co.uk/brochures



INTEGRATA

Aluminium/Grey

Blending in with the rest of your kitchen units, this concealed, integrated hood provides affordable style.

60



Aluminium/Grey
FFI 622 GR
FUN: 310.0518.755

Priced at **£319**

FEATURES

Installation type	Built-In
Recirculating extraction	Yes
Ducted extraction	Yes
Rear venting	No
Energy class	C
Extraction speeds	3
Controls	Slider
Remote control	No
Motor type	Energy 600
Easy-fit	No
Charcoal Filter (p55)	Not Included
	112.0017.979
Lighting	LED x 2

EXTRACTION PERFORMANCE

Speed	1 Minimum	2 Maximum	3 Intensive
Air capacity (m ³ /h)	300	440	570
Input	90	105	140
Noise level dB	56	63	70





TECHNICAL SPECIFICATIONS

You can find out more technical information
about each of our hoods here.


For up to date pricing, please go to
[franke.co.uk/brochures](https://www.franke.co.uk/brochures)




Hood Model

Hob Extractor & Downdraft


Mythos 2gether

Hood Model	Width (cm)	Minimum height / maximum height (with chimney)	Control	Motor	Power consumption motor (W)	Extraction speed settings	Energy rating	Automatic cut-off timer	Continuous 24hr ventilation	Digital display	Charcoal filter	Perimetric extraction	Easy fit installation	Filter saturation indicator	Comfort light type	Remote control	Outlet tube diameter (mm)	Recommended positioning height above electric hob (mm)	Recommended positioning height above gas hob (mm)	Finish	FUN number	RRP including VAT		
FMY 839 HI 	83	N/A	Capacitive Touch	Multifan ++	7545	8+2xi	A+++	•	•	•	N/A			•	No		N/A	N/A	N/A	Black Glass	340.0597.249	£2706		
Aspiration Kit																						112.0539.569	£264	
Plinth Kit 6cm											G												112.0539.568	£361
Plinth Kit 10cm											H												112.0539.570	£373

Maris 2gether


FMA 839 HI 	83	N/A	Capacitive Touch	Multifan ++	7545	8+2xi	A++	•	•	•	N/A			•	No		N/A	N/A	N/A	Black Glass	340.0595.364	£2247			
Aspiration Kit																							112.0539.569	£264	
Plinth Kit 6cm											G													112.0539.568	£361
Plinth Kit 10cm											H													112.0539.570	£373

Downdraft


FDW 908 IB XS 	88	N/A	Capacitive Touch	Energy 800 Plus	277	4+i	B	•	•	I	•			•	LED Bar		150	N/A	N/A	Black Glass	110.0365.588	£1563
--	----	-----	------------------	-----------------	-----	-----	---	---	---	---	---	--	--	---	---------	--	-----	-----	-----	-------------	--------------	-------

Wall-Mounted Hoods

AQ Sense Monitor

FKAS A80 KKZ1 	80	455/650	Touch, Vocal control, Mobile APP	SPA+	250	3+i	A	•	•	•	B			•	LED X 2	•	150	650	650	Black	330.0657.269	£3852
---	----	---------	----------------------------------	------	-----	-----	---	---	---	---	---	--	--	---	---------	---	-----	-----	-----	-------	--------------	-------


AQ Sense Vertical

FVAS A80BK 	80	455/650	Touch, Vocal control, Mobile APP	SPA+	250	3+i	A+	•	•	•	B			•	LED X 3	•	150	450	450	Black	330.0657.270	£1284
--	----	---------	----------------------------------	------	-----	-----	----	---	---	---	---	--	--	---	---------	---	-----	-----	-----	-------	--------------	-------

Maris Free

MARIS FREE 80 	80	700/1050	Capacitive Touch	Nautilus	137	3+i	A				E	•	•	•	LED X 2		150	450	650	Metallic Glass	330.0542.181	£1322
---	----	----------	------------------	----------	-----	-----	---	--	--	--	---	---	---	---	---------	--	-----	-----	-----	----------------	--------------	-------




Maris Drip Free













FVAD A90 BK MATT 	90	455/650	Capacitive Touch	SPA+	250	3+i	A				•	B			LED X 2		150	450	450	Black	330.0657.418	£1177
--	----	---------	------------------	------	-----	-----	---	--	--	--	---	---	--	--	---------	--	-----	-----	-----	-------	--------------	-------

Avant Silence

FLTN H45 X/BK GLASS A90 FRK 	90	765/1010	Capacitive Touch	SPA++	270	3+i	A+	•	•	•	D			•	LED X 2		150	450	650	Stainless Steel/Black	325.0657.267	£1070
---	----	----------	------------------	-------	-----	-----	----	---	---	---	---	--	--	---	---------	--	-----	-----	-----	-----------------------	--------------	-------

Maris

FMA 607 BK 	60	500/1000	Capacitive Touch	SPA++	272	3+i	A+	•	•	•	B			•	LED X 2		150	450	450	Black	330.0550.057	£902
FMA 807 BK 	80	500/1000	Capacitive Touch	SPA++	272	3+i	A+	•	•	•	B			•	LED X 2		150	450	450	Black	330.0550.058	£963
FMA 907 BK 	90	500/1000	Capacitive Touch	SPA++	272	3+i	A+	•	•	•	B			•	LED X 2		150	450	450	Black	330.0550.059	£1023





Hood Model	Width (cm)	Minimum height / maximum height (with chimney)	Control	Motor	Power consumption motor (W)	Extraction speed settings	Energy rating	Automatic cut-off timer	Continuous 24hr ventilation	Digital display	Charcoal filter	Perimetric extraction	Easy fit installation	Filter saturation indicator	Comfort light type	Remote control	Outlet tube diameter (mm)	Recommended positioning height above electric hob (mm)	Recommended positioning height above gas hob (mm)	Finish	FUN number	RRP Including VAT
Trendline Plus																						
TRENDLINE PLUS BK 70 	70	365/650	Rotary	SPA+	272	3	B				B				LED X 2		150	550	650	Matt Black	321.0536.200	£715
TRENDLINE PLUS OY 70 	70	365/650	Rotary	SPA+	272	3	B				B				LED X 2		150	550	650	Oyster	321.0536.201	£715
Evo Plus																						
FPJ 625 V BK/SS 	60	912/1072	Capacitative Touch	SPA+	272	3+i	A				B	•			LED		150	450	450	Black	330.0590.444	£599
FPJ 725 V BK/SS 	70	912/1072	Capacitative Touch	SPA+	272	3+i	A				B	•			LED		150	450	450	Black	330.0590.445	£637
FPJ 925 V BK/SS 	90	912/1072	Capacitative Touch	SPA+	272	3+i	A				B	•			LED		150	450	450	Black	330.0590.446	£692
FPJ 625 V WH/SS 	60	912/1072	Capacitative Touch	SPA+	272	3+i	A				B	•			LED		150	450	450	White	330.0590.441	£599
FPJ 725 V WH/SS 	70	912/1072	Capacitative Touch	SPA+	272	3+i	A				B	•			LED		150	450	450	White	330.0590.442	£637
FPJ 925 V WH/SS 	90	912/1072	Capacitative Touch	SPA+	272	3+i	A				B	•			LED		150	450	450	White	330.0590.443	£692
Tube Wall																						
FTU PLUS 3707 XS 	37	N/A	Push Button	SPA+	272	3+i	A				D	•	•	•	LED X 2	Opt	150	550	550	Stainless Steel	335.0590.492	£599
Tube Wall Glass (optional)																					112.0157.281	£334
Smart Deco																						
FSMD 508 GY 	50	395/535	Rotary	SP600 A+	233	3	A				B				LED Bar		150	650	650	Soft Grey	335.0589.426	£595
FSMD 508 GN 	50	395/535	Rotary	SP600 A+	233	3	A				B				LED Bar		150	650	650	Green	335.0589.427	£595
FSMD 508 YL 	50	395/535	Rotary	SP600 A+	233	3	A				B				LED Bar		150	650	650	Mustard	335.0589.428	£595

For up to date pricing, please go to
franke.co.uk/brochures




Hood Model




Format 45

Hood Model	Width (cm)	Minimum height / maximum height (with chimney)	Control	Motor	Power consumption motor (W)	Extraction speed settings	Energy rating	Automatic cut-off timer	Continuous 24hr ventilation	Digital display	Charcoal filter	Perimetric extraction	Easy fit installation	Filter saturation indicator	Comfort light type	Remote control	Outlet tube diameter (mm)	Recommended positioning height above electric hob (mm)	Recommended positioning height above gas hob (mm)	Finish	FUN number	RRP including VAT
FDF EV8 60 XS 	60	790/1060	Push Button	SP 800	193	3+i	B				D				LED X 2		150	650	650	Stainless Steel	325.0599.575	£342
FDF EV8 70 XS 	70	790/1060	Push Button	SP 800	193	3+i	B				D				LED X 2		150	650	650	Stainless Steel	325.0599.576	£347
FDF EV8 90 XS 	90	790/1060	Push Button	SP 800	193	3+i	B				D				LED X 2		150	650	650	Stainless Steel	325.0599.549	£361
FDF EV8 90 BK 	90	790/1060	Push Button	SP 800	193	3+i	B				D				LED X 2		150	650	650	Black	325.0599.574	£393





T-Glass Nice

FGL 625 XS NP 	60	725/1000	Push Button	SP 800	252	3+i	B				D	●			LED X 2		150	500	650	Stainless Steel	325.0590.997	£326
FGL 925 XS NP 	90	725/1000	Push Button	SP 800	252	3+i	B				D	●			LED X 2		150	500	650	Stainless Steel	325.0590.996	£361

T-Glass Ray



FGC 625 XS NP 	60	725/1000	Push Button	SP 800	252	3+i	B				D	●			LED X 2		150	500	650	Stainless Steel	325.0591.034	£326
FGC 725 XS NP 	70	725/1000	Push Button	SP 800	252	3+i	B				D	●			LED X 2		150	500	650	Stainless Steel	325.0591.035	£338
FGC 925 XS NP 	90	725/1000	Push Button	SP 800	252	3+i	B				D	●			LED X 2		150	500	650	Stainless Steel	325.0591.036	£361

Gavia

FDL 665XSL 1 	60	640	Push Button	SP400	133	3	D				B				LED X 2		150	500	650	Stainless Steel	320.0521.537	£219
FDL 665 BK 	60	640	Push Button	SP400	133	3	D				B				LED X 2		150	500	650	Black	320.0588.862	£238
FDL 965XSL 1 	90	640	Push Button	SP400	133	3	D				B				LED X 2		150	500	650	Stainless Steel	320.0521.538	£232
FDL 995 BK 	90	640	Push Button	SP400	133	3	D				B				LED X 2		150	500	650	Black	320.0595.095	£251


Hood Model	Width (cm)	Minimum height / maximum height (with chimney)	Control	Motor	Power consumption motor (W)	Extraction speed settings	Energy rating	Automatic out-off timer	Continuous 24hr ventilation	Digital display	Charcoal filter	Perimetric extraction	Easy fit installation	Filter saturation indicator	Comfort light type	Remote control	Outlet tube diameter (mm)	Recommended positioning height above electric hob (mm)	Recommended positioning height above gas hob (mm)	Finish	FUN number	RRP including VAT
------------	------------	--	---------	-------	-----------------------------	---------------------------	---------------	-------------------------	-----------------------------	-----------------	-----------------	-----------------------	-----------------------	-----------------------------	--------------------	----------------	---------------------------	--	---	--------	------------	-------------------

Joy




FJO 624 XS 	60	640	Push Button	New Smile 400	133	3	D				L				LED X 2		150	500	650	Stainless Steel	320.0545.169	£ 141
FJO 924 XS 	90	640	Push Button	New Smile 400	133	3	D				L				LED X 2		150	500	650	Black	320.0545.172	£ 161

Island Hoods


Avant Silence

FTLN I H45 X/BI GLASS A90 	90	925/1000	Capacitive touch	SPA++	270	3+i	A+	•	•	•	D				LED X 4		150	500	650	Stainless Steel/Black	325.0657.268	£ 1498
---	----	----------	------------------	-------	-----	-----	----	---	---	---	---	--	--	--	---------	--	-----	-----	-----	-----------------------	--------------	--------

Smart Suspended

FSMS F42 SS/BK MAT 	42	N/A	Push Button	SPA+	250	3+i	A				B				LED X 2		N/A	650	650	Stainless Steel	345.0654.870	£ 1059
FSMS F42 WH MATT 	42	N/A	Push Button	SPA+	250	3+i	A				B				LED X 2		N/A	650	650	White	345.0654.932	£ 1059
FSMS F42 BK MATT 	42	N/A	Push Button	SPA+	250	3+i	A				B				LED X 2		N/A	650	650	Black	345.0654.933	£ 1059

Tube Island

FTU PLUS 3707 IXS 	37	N/A	Push Button	EVO Plus	272	3+i	A				D	•	•	•	LED X 2	Opt	150	550	550	Stainless Steel	335.0591.195	£ 961
Tube Island Glass (optional)																					112.0050.075	£ 346

T-Glass Linear


FGL 925 I XS NP 	90	880/1200	Push Button	SP 800	252	3+i	B				D				LED X 4		150	500	650	Stainless Steel	325.0590.061	£ 683
---	----	----------	-------------	--------	-----	-----	---	--	--	--	---	--	--	--	---------	--	-----	-----	-----	-----------------	--------------	-------

T-Glass Curved


FGC 925 I XS NP 	90	725/1000	Push Button	SP 800	252	3+i	B				D				LED X 4		150	500	650	Stainless Steel	325.0590.064	£ 683
---	----	----------	-------------	--------	-----	-----	---	--	--	--	---	--	--	--	---------	--	-----	-----	-----	-----------------	--------------	-------















Ceiling Hoods

AQ Sense

FCAS A90 XS 	90	N/A	Vocal control, Mobile APP	SPA+	250	3+i	A	•	•		B		•	•	LED Bar x2	•	150	650	650	Stainless Steel	350.0657.264	£ 1712
---	----	-----	---------------------------	------	-----	-----	---	---	---	--	---	--	---	---	------------	---	-----	-----	-----	-----------------	--------------	--------

Mythos Flat Ceiling

FMYCF 906 WH 	90	N/A	Remote	Radical Brushless	145	3+i	A	•			A		•	Adjustable LED	•	150	650	650	White Glass	350.0518.554	£ 1924
--	----	-----	--------	-------------------	-----	-----	---	---	--	--	---	--	---	----------------	---	-----	-----	-----	-------------	--------------	--------

Hood Model	Width (cm)	Minimum height / maximum height (with chimney)	Control	Motor	Power consumption motor (W)	Extraction speed settings	Energy rating	Automatic cut-off timer	Continuous 24hr ventilation	Digital display	Charcoal filter	Perimetric extraction	Easy fit installation	Filter saturation indicator	Comfort light type	Remote control	Outlet tube diameter (mm)	Recommended positioning height above electric hob (mm)	Recommended positioning height above gas hob (mm)	Finish	FUN number	RRP including VAT
Maris Flat Ceiling																						
FCFL 906 XS/2 	90	N/A	Remote	MULTIFAN A++	220	3+i	A+	•			A		•	LED X4	•	150	650	650	Stainless Steel	350.0663.649	£1082	
FCFL 906 WH/2 	90	N/A	Remote	MULTIFAN A++	220	3+i	A+	•			A		•	LED X4	•	150	650	650	White	350.0663.721	£1129	
FCFL 906 BL/2 	90	N/A	Remote	MULTIFAN A++	220	3+i	A+	•			A		•	LED X4	•	150	650	650	Black	350.0663.650	£1129	
Under Cabinet Hoods																						
Atmos Steam Off																						
ATMOS 604 	60	N/A	Buttons	ENERGY C	125	3+i	A	•			J	•		LED	Opt	150	500	500	Stainless Steel	305.0504.069	£901	
ATMOS 904 	90	N/A	Buttons	ENERGY C	125	3+i	A	•			J	•		LED	Opt	150	500	500	Stainless Steel	305.0504.066	£949	
Box Flush Premium																						
FBFP XS A52 	52	N/A	Push button, Vocal control, Mobile APP	SPA+	250	3+i	B	•	•		B	•	•	LED Bar	•	150	450	530	Stainless Steel	305.0665.368	£642	
FBFP XS A70 	70	N/A	Push button, Vocal control, Mobile APP	SPA+	250	3+i	A	•	•		B	•	•	LED Bar	•	150	450	530	Stainless Steel	305.0665.369	£685	
Box Flush EVO																						
FBFE XS A52 	52	N/A	Push Button	SP800		3+i	B				B	•	•	LED Bar		150	450	650	Stainless Steel	305.0675.745	£482	
FBFE XS A70 	70	N/A	Push Button	SP800		3+i	B				B	•	•	LED Bar		150	450	650	Stainless Steel	305.0675.746	£524	
FBFE WH MATT A52 	52	N/A	Push Button	SP800		3+i	B				B	•	•	LED Bar		150	450	650	White	305.0670.685	£482	
FBFE WH MATT A70 	70	N/A	Push Button	SP800		3+i	B				B	•	•	LED Bar		150	450	650	White	305.0670.686	£524	
FBFE BK MATT A52 	52	N/A	Push Button	SP800		3+i	B				B	•	•	LED Bar		150	450	650	Black	305.0670.688	£482	
FBFE BK MATT A70 	70	N/A	Push Button	SP800		3+i	B				B	•	•	LED Bar		150	450	650	Black	305.0670.687	£524	
Integrata																						
FFI 622 GR 	60	N/A	Electro-mechanical Slider	SP800	252	3	C				M			LED X 2		150	650	650	Stainless Steel	310.0518.755	£319	

ADDITIONAL ACCESSORIES

Carbon Filters

Carbon Filters increase filtration efficiency and are required on all recycling hood units. Used to catch unwanted odours, they are supplied in either circular or square format, depending on the model of your hood. Please check models for correct configuration.

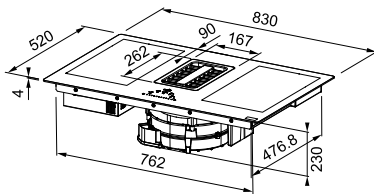
FILTER	FUN NUMBER	RRP (Inc. VAT)
A	112.0339.360	£108
B	112.0016.755	£26
C	112.0543.478	£257
D	112.0016.756	£26
E	112.0512.466	£30
F	112.0547.940	£324
G	112.0548.447	£171
H	112.0548.448	£220
I	112.0262.703	£234
J	112.0542.064	£56
K	112.0470.631	£50
L	112.0067.942	£26
M	112.0017.979	£26

PRODUCT	FUN NUMBER	RRP (Inc. VAT)
Optional Remote Control	112.0174.991	£59

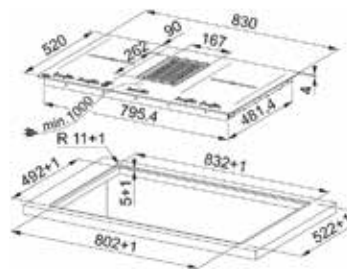
TECHNICAL DRAWINGS

Hob Extractor & Downdraft

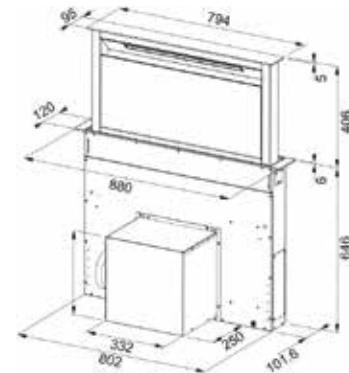
MARIS 2GETHER



MYTHOS 2GETHER

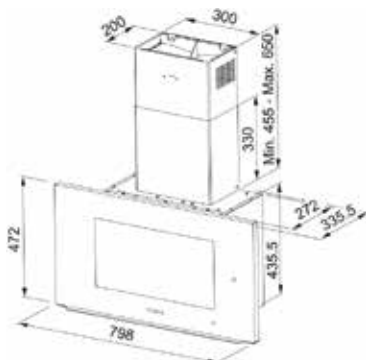


DOWNDRAFT

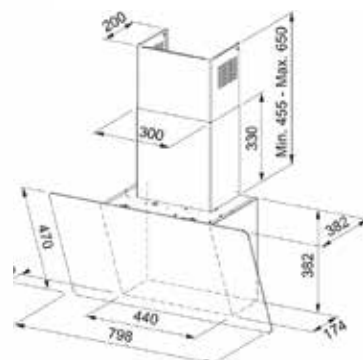


Wall-Mounted Hoods

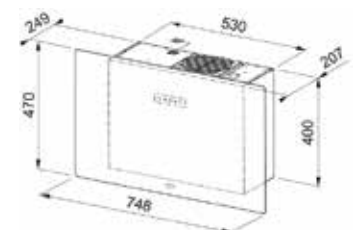
AQ SENSE MONITOR



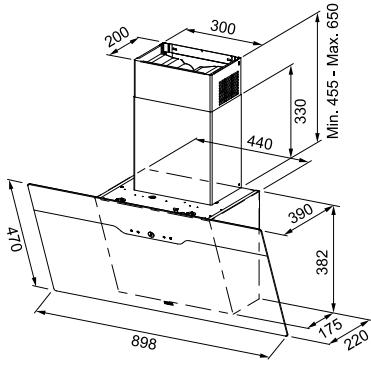
AQ SENSE VERTICAL



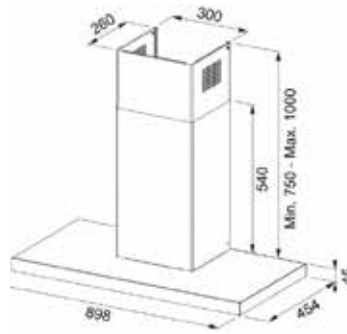
MARIS FREE



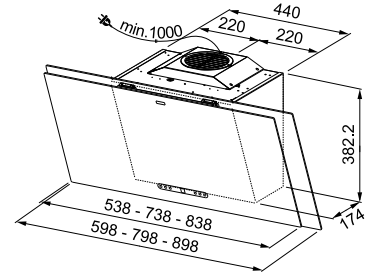
MARIS DRIP FREE



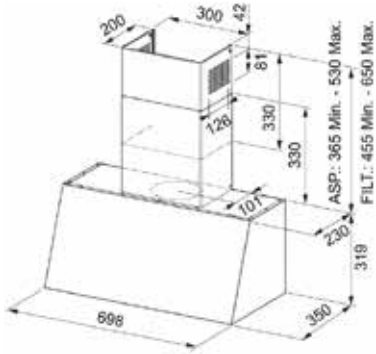
AVANT SILENCE



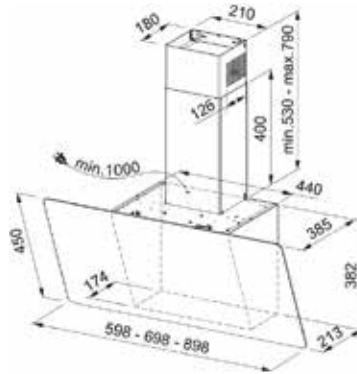
MARIS



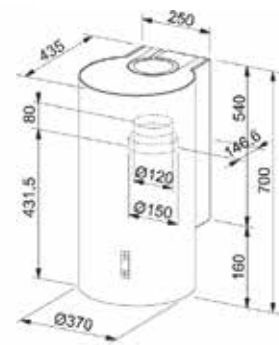
TRENDLINE PLUS



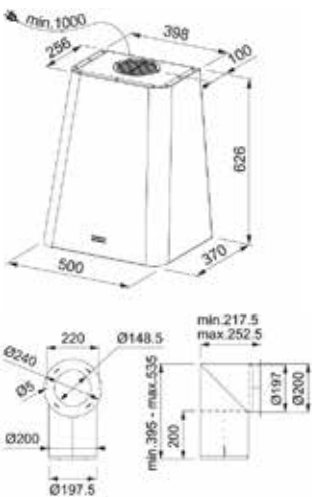
EVO PLUS



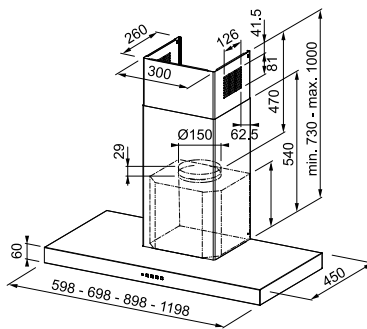
TUBE WALL



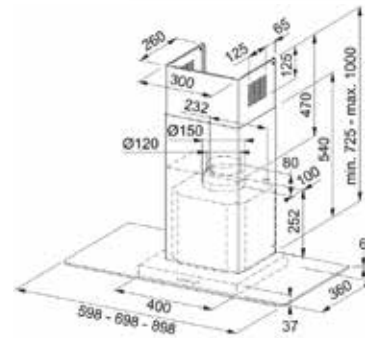
SMART DECO



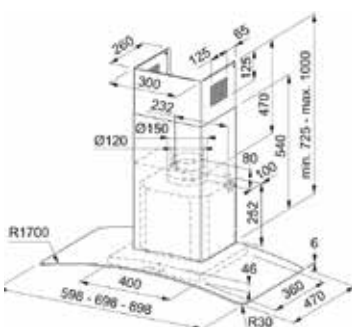
FORMAT 45



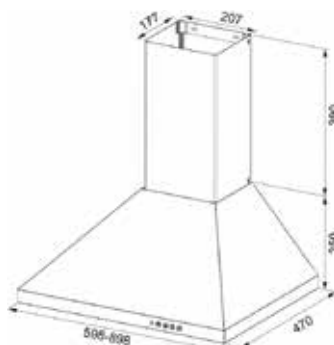
T-GLASS NICE



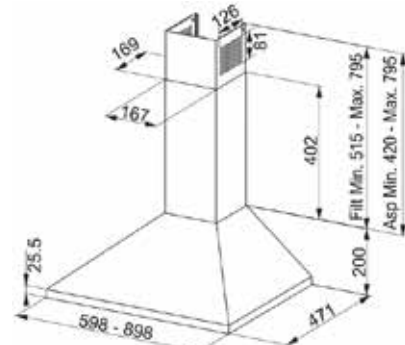
T-GLASS RAY



GAVIA

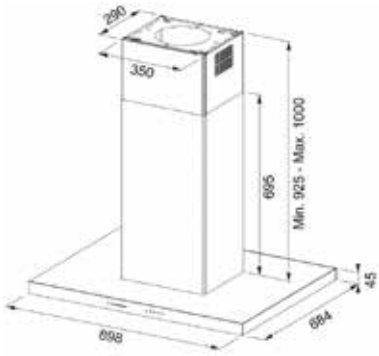


JOY

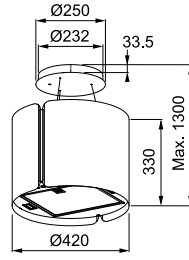


Island Hoods

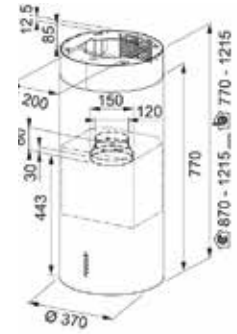
AVANT SILENCE



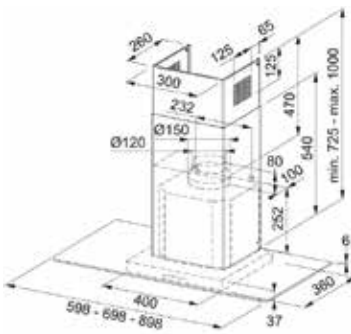
SMART SUSPENDED



TUBE ISLAND



T-GLASS LINEAR



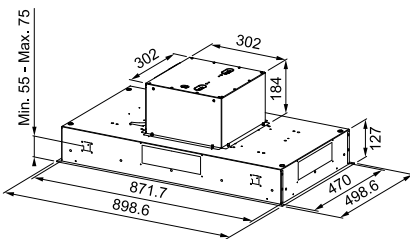
T-GLASS CURVED



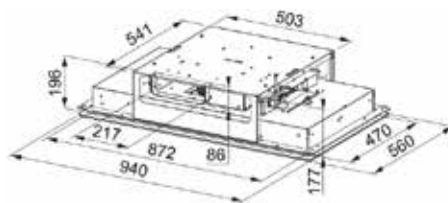
Note: 90cm model only available in the UK.

Ceiling Hoods

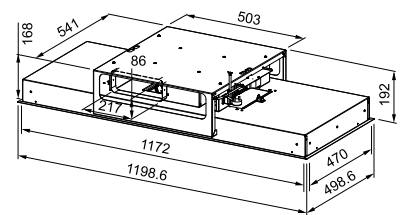
AQ SENSE



MYTHOS FLAT

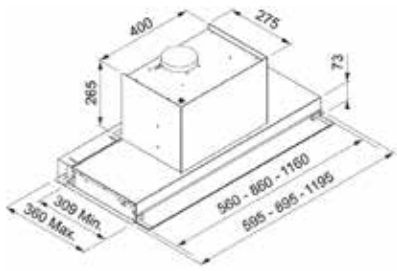


MARIS FLAT

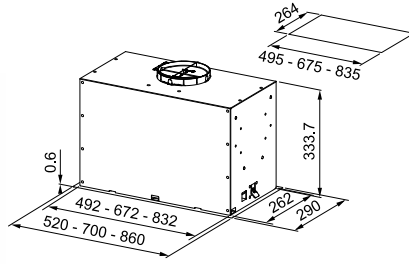


ATMOS STEAM OFF

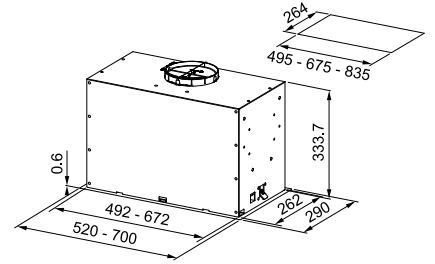
Atmos 604 requires 60cm cabinet
 Atmos 904 requires 90cm cabinet



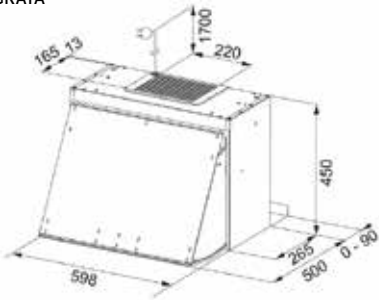
BOX PLUS PREMIUM



BOX FLUSH EVO



INTEGRATA





Franke UK Limited
West Park, MIOC
Styal Road
Manchester
M22 5WB
Phone +44 (0)161 436 6280
Fax +44 (0)161 436 2180
Email ks-info.gb@franke.com
www.franke.co.uk

994.0681.226
HP/05/22

Colours shown are for reference only. All sizes and dimensions are described in cm. Franke hoods are guaranteed against manufacturing defect for 2 years. This guarantee is in addition to and does not affect your statutory rights. For full details see www.franke.co.uk/guarantee. This guarantee will be valid from the date of purchase as shown on the sales invoice. Please keep the invoice for your records. This is a domestic appliance only and will only be validated when it is used in a domestic environment.

The Franke policy is one of continual improvement and Franke reserves the right to alter models and specifications without notice. E & OE.
Front cover shows AQ Sense Monitor Hood. Back cover shows Avant Silence Island Hood.