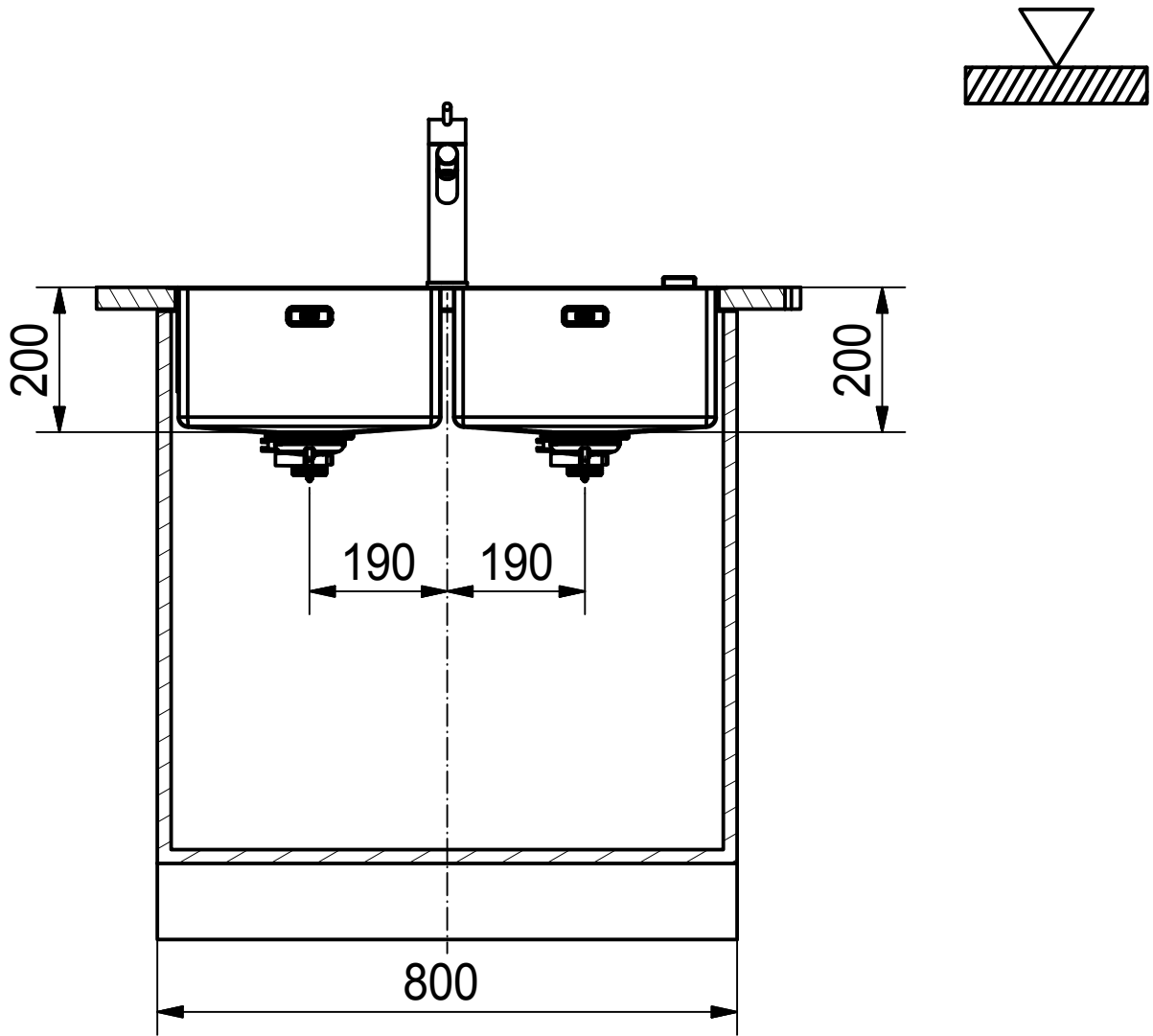


DF



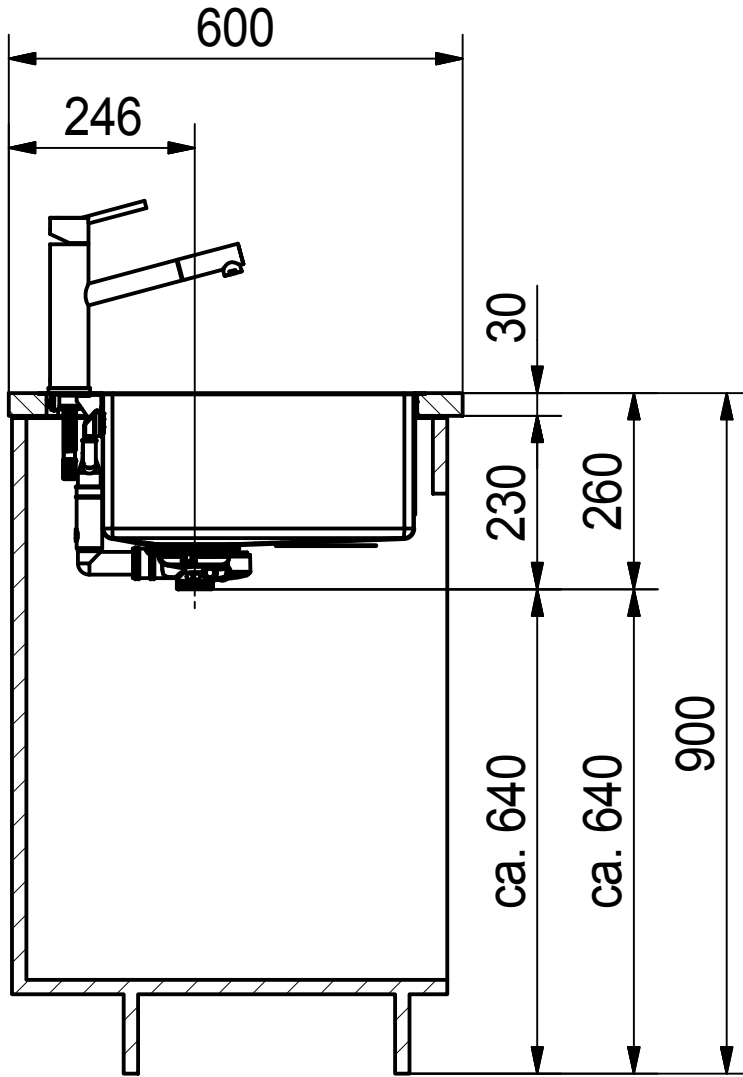
Drawing No.	0056-208766	Revision	A
Drawn Date	26.03.2015		
<small>These drawings and specifications are the property of Franke Technology and Trademark Ltd. and shall not be reproduced, copied or transferred to any third party without the prior written permission of Franke Technology and Trademark Ltd., Hergiswil, Switzerland</small>			

Franke Küchentechnik AG
CH-4663 Aarburg
Phone: +41 62 787 31 31
Internet: www.franke.com

BXX 220 36-36 TL
Installing document

Sheet	Sheets
1	6

DS



Drawing No.	0056-208766	Revision	A
Drawn Date	26.03.2015		
<small>These drawings and specifications are the property of Franke Technology and Trademark Ltd. and shall not be reproduced, copied or transferred to any third party without the prior written permission of Franke Technology and Trademark Ltd., Hergiswil, Switzerland</small>			

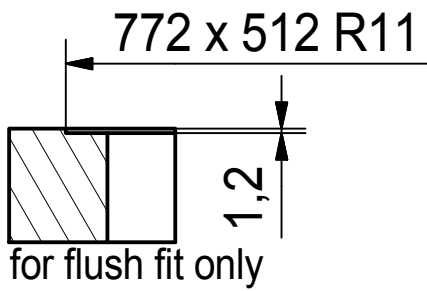
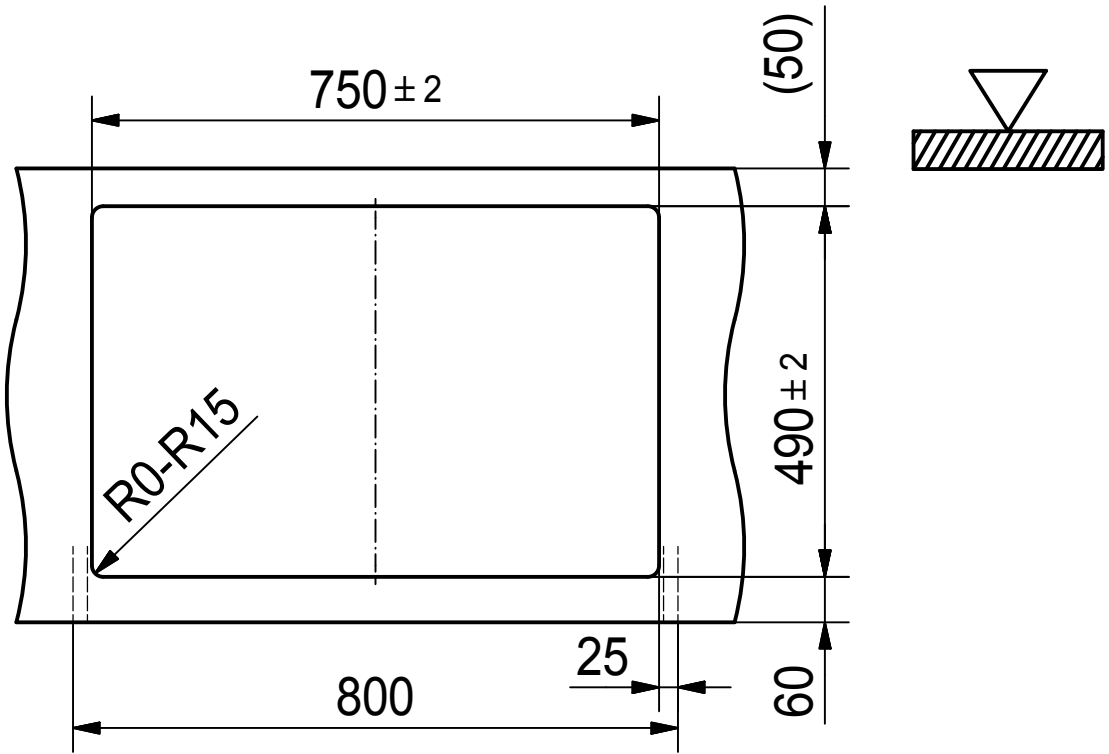
Franke Küchentechnik AG
CH-4663 Aarburg
Phone: +41 62 787 31 31
Internet: www.franke.com

BXX 220 36-36 TL

Installing document

Sheet	Sheets
2	6

CO



Drawing No.	0056-208766	Revision	A
Drawn Date	26.03.2015		
<small>These drawings and specifications are the property of Franke Technology and Trademark Ltd. and shall not be reproduced, copied or transferred to any third party without the prior written permission of Franke Technology and Trademark Ltd., Hergiswil, Switzerland</small>			

Franke Küchentechnik AG
 CH-4663 Aarburg
 Phone: +41 62 787 31 31
 Internet: www.franke.com

BXX 220 36-36 TL
 Installing document

Sheet	Sheets
3	6

CNC



Drawing No.	0056-208766	Revision	A
Drawn Date	26.03.2015		
<small>These drawings and specifications are the property of Franke Technology and Trademark Ltd. and shall not be reproduced, copied or transferred to any third party without the prior written permission of Franke Technology and Trademark Ltd., Hergiswil, Switzerland</small>			

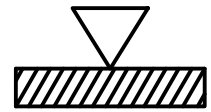
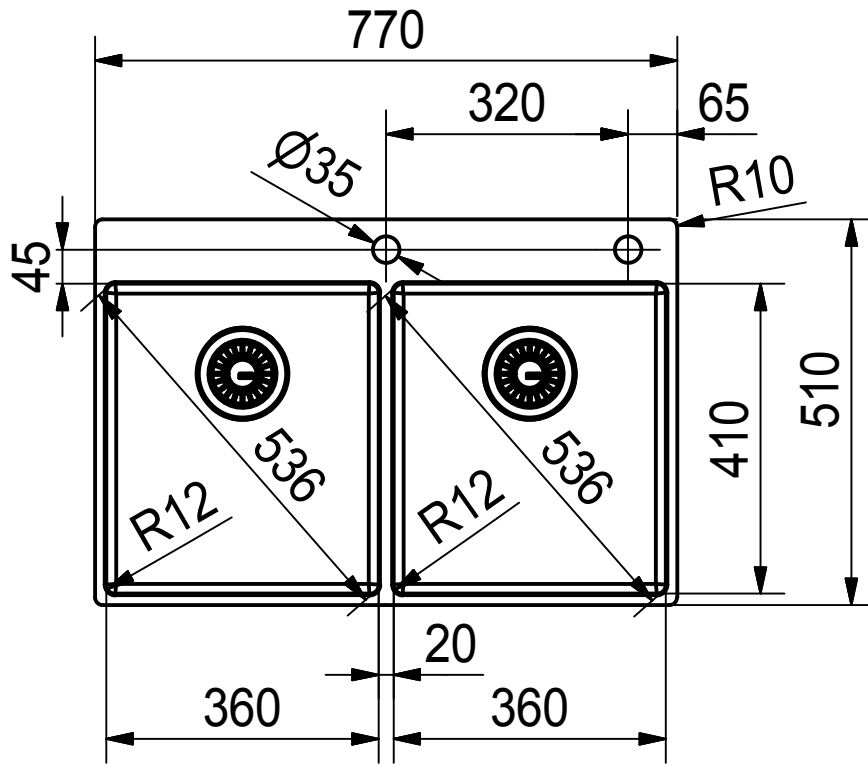
Franke Küchentechnik AG
CH-4663 Aarburg
Phone: +41 62 787 31 31
Internet : www.franke.com

BXX 220 36-36 TL

Installing document

Sheet	Sheets
4	6

DT



Drawing No.	0056-208766	Revision	A
Drawn Date	26.03.2015		
<small>These drawings and specifications are the property of Franke Technology and Trademark Ltd. and shall not be reproduced, copied or transferred to any third party without the prior written permission of Franke Technology and Trademark Ltd., Hergiswil, Switzerland</small>			

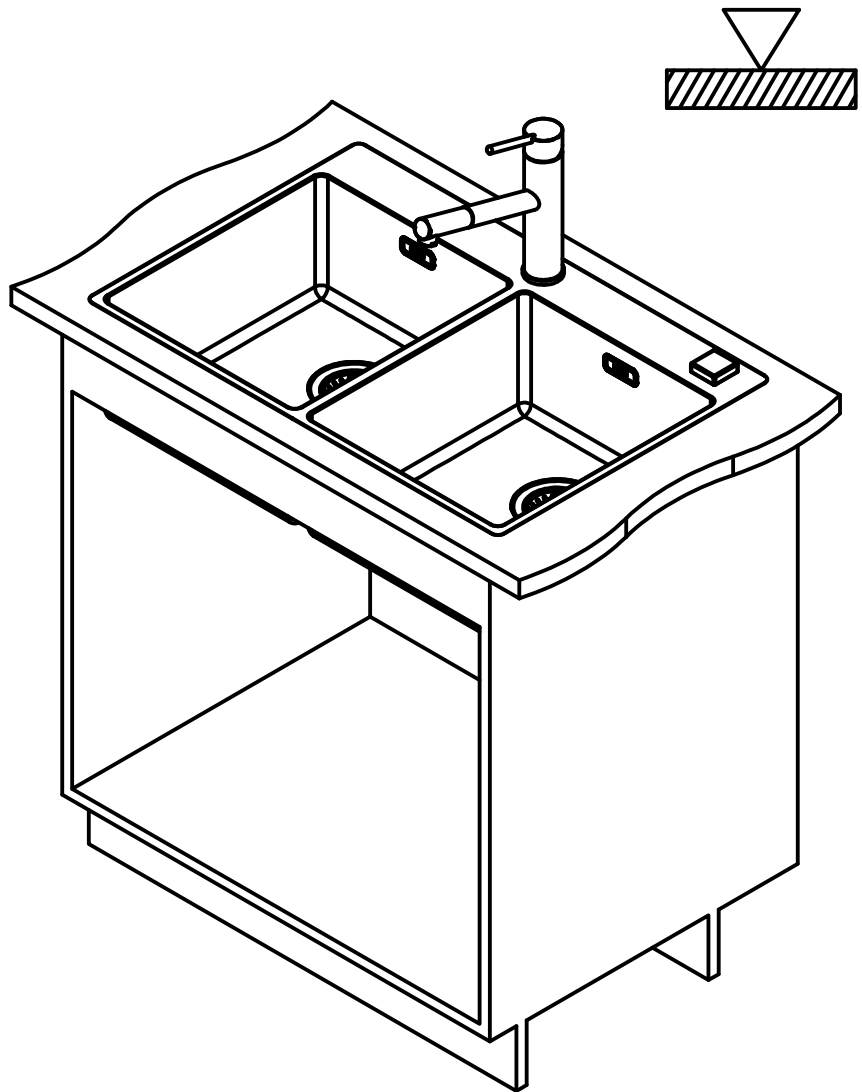
Franke K uchentechnik AG
CH-4663 Aarburg
Phone: +41 62 787 31 31
Internet: www.franke.com

BXX 220 36-36 TL

Installing document

Sheet	Sheets
5	6

ISO



Drawing No.	0056-208766	Revision	A
Drawn Date	26.03.2015		
<small>These drawings and specifications are the property of Franke Technology and Trademark Ltd. and shall not be reproduced, copied or transferred to any third party without the prior written permission of Franke Technology and Trademark Ltd., Hergiswil, Switzerland</small>			

Franke Küchentechnik AG
CH-4663 Aarburg
Phone: +41 62 787 31 31
Internet: www.franke.com

BXX 220 36-36 TL

Installing document

Sheet	Sheets
6	6