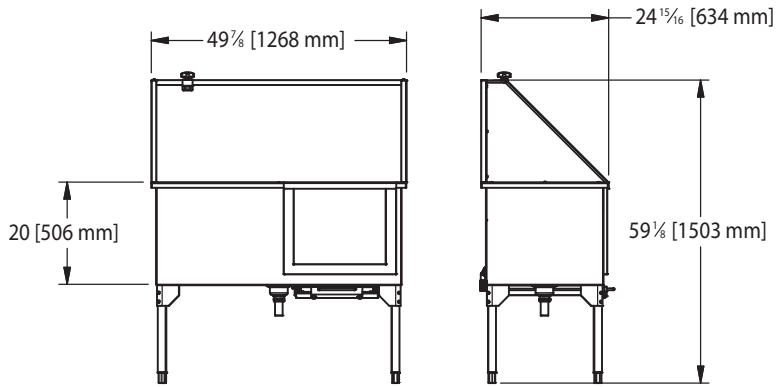


PWS50 Pet Wash Station



18 gauge (1.0 mm), Type 304 (CNS 18/10) stainless steel, #4 satin finish.

This pet wash station features a lift out front access door with pull out ramp and vandal resistant height adjustable inner trays. Both the ramp and trays feature anti slip surface. Upper bar features adjustable tether point for leash. Each tray has 2 handles that double as a lower tether point to keep the pets safe and prevent jumping out of the fixture.

Supplied with 3 1/2" waste fitting with T316 grid and OFK150 overflow kit to reduce chance of flooding if the waste fills with hair.

Certified to ASME A112.19.3-2008 / CSA B45.4-08.

Outside dimensions 24 15/16" x 49 7/8 x 59 1/8 "

Inside bowl 22 x 47 7/8 x 20"

Waste location Center

PWS50 - Standard with 2 hole 8" centerset faucet holes

PWS50-X - Custom faucet hole punch, non returnable

PROJECT INFORMATION
Item Location
Project Number
Quote Number
Notes
ENGINEER'S APPROVAL

Franke
1000 Franke Kindred Road
Midland, ON | L4R 4K9
www.franke.com

1-855-446-5663 (Canada)
ws.info@franke.com

1-855-526-0503 (USA)
commercial-info.us@franke.com

