

# MANOR HOUSE

## FIRECLAY 35" DOUBLE BOWL SINK Model MHK720-35WH

Franke and Villeroy & Boch have created the distinctive design of the Manor House Collection to enhance your personal kitchen style.

### FEATURES

- Apron front design allows the user to stand directly in front of the basin making it more comfortable for prepping food and cleaning up.
- CeramicPlus coating makes fireclay easy to clean and helps retain its look of luxury.
- Pairs beautifully with a variety of work surfaces and it is a durable choice that stands up to heat, staining and impact with ease.

### TECHNICAL FEATURES

Overall Sink Size (OD)	35 1/2" x 21 5/8"
Bowl Size (ID)	33 5/8" x 19 3/4"
Bowl Depth (ID)	7 7/8"
Corner Radius	12mm
Minimum Cabinet Size	36"
Installation Type	Undermount Apron Front
Material	Fireclay
Weight	96 lbs.
Warranty	Limited Lifetime

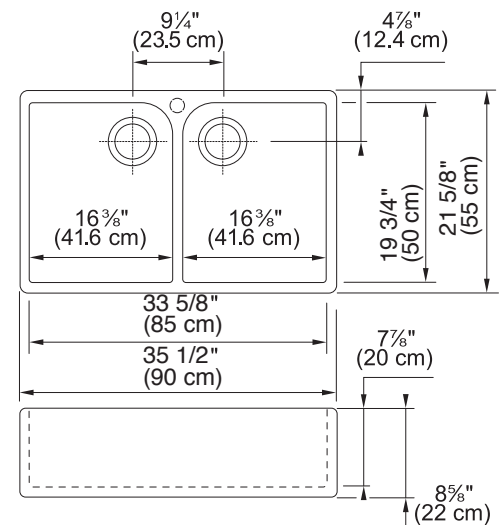
### OPTIONAL ACCESSORIES

Bottom Grid	MK35-36C-LH
Bottom Grid	MK35-36C-RH
Cutting Board	OA-40S
Strainer Basket	1145 / 1145SN

Product Image



Dimensional Drawing



Note: Dimensions may vary by 2% (plus or minus), due to material attributes and firing process. Sink color may vary between each model

