

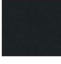
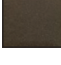
# ELLIPSE

## GRANITE 33" DOUBLE BOWL SINK Model EDXX33229-1

### TECHNICAL FEATURES

|                        |  |
|------------------------|--|
| Overall Sink Size (OD) | 33" x 22"                              |
| Bowl Size (ID)         | 29 <sup>7</sup> / <sub>8</sub> " x 17" |
| Bowl Depth (ID)        | 9"                                     |
| Corner Radius          | 25mm                                   |
| Minimum Cabinet Size   | 36"                                    |
| Installation Type      | Dual Mount                             |
| Weight                 | 42 lbs                                 |
| Warranty               | Limited Lifetime                       |

### AVAILABLE FINISHES

|  |   |
|--|---|
|  Champagne<br>EDCH33229-1-CA<br>114.0296.193     |  Onyx<br>EDOX33229-1-CA<br>114.0296.191                    |
|  Stone Grey<br>EDSG33229-1-CA<br>114.0637.937  |  Oyster<br>EDOY33229-1-CA<br>114.0637.935                |
|  Polar White<br>EDPW33229-1-CA<br>114.0643.359 |  Matte Black<br>EDMB33229-1-CA<br>114.0699.563           |
|  Mocha<br>EDDB33229-1-CA<br>114.0296.192       |  Slate Grey <b>NEW</b><br>EDSL33229-1-CA<br>114.0713.073 |

### INCLUDED ACCESSORIES

Strainer Chrome  
1145  
112.0055.508

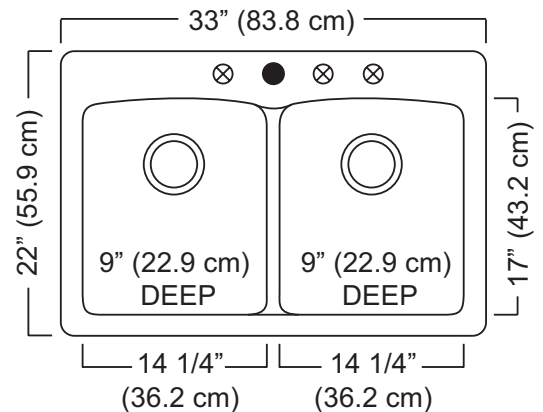
### OPTIONAL ACCESSORIES

|   |   |  |
|---|---|--|
| Bottom Grid<br>FBGG1114<br>112.0185.330     | Accessory System<br>AIUS100<br>112.0655.481             | Accessory System<br>AIUS200<br>112.0655.488              |
| Accessory System<br>AIUS300<br>112.0655.489 | Colorline Strainer<br>900-XXX<br>(xxx represents color) | Colorline Flange<br>WD-900-XXX<br>(xxx represents color) |

Product Image



Dimensional Drawing



4 pre-scored holes for faucet and accessories

