

FRANKE FOODSERVICE SOLUTIONS

# EcO<sub>3</sub>Ice™

ANTIMICROBIAL ICE PROTECTION  
For High flowing Ice Machines



X8



X16



RoHS



Franke Foodservice Solutions, Inc.  
800 Aviation Parkway  
Smyrna, TN 37167  
Tel +1-877-379-3769  
franke.com

Item #:
Project:
Quantity:

## MODEL NUMBER

X8

X16

## PRODUCT OVERVIEW

The compact *EcO<sub>3</sub>Ice* device uses a unique, synthetic diamond-based technology that continuously treats incoming ingredient water used by ice machines, killing bacteria, yeast and mold in the ice-making path from beginning to end. Reduces biofilm build-up, greatly extending required time between cleanings. With each cycle, *EcO<sub>3</sub>Ice* creates a small, safe but effective amount of pure ozone—nature’s own sanitizer—which continuously treats the machine interior, storage bin, remote bin and drains.

## PRODUCT FEATURES

- Attaches quickly to incoming water line of ice machine
- Runs silently and automatically
- Operator-replaceable, “twist-on” electrolytic cartridge

## EcO<sub>3</sub>Ice MODEL SELECTION

Select the *EcO<sub>3</sub>Ice* model by water flow rate of ice machine

Model	X8	X16
To ensure proper <i>EcO<sub>3</sub>Ice</i> Model selection, refer to the <i>EcO<sub>3</sub>Ice</i> / Hoshizaki model selection Chart		

## CARTRIDGE LIFE

- 50,000 gallons\*
- LED indicator lamps show status, tells when it’s time to replace cartridge

## WARRANTY

- Warranted against defects in materials and workmanship for 1 year
  - Parts only, on head unit
  - 30 days parts-only on cartridge
  - Normal use exclusions apply, per Operation Manual.

\*Cartridge life is dependent upon water quality and ice machine water consumption

Approval \_\_\_\_\_

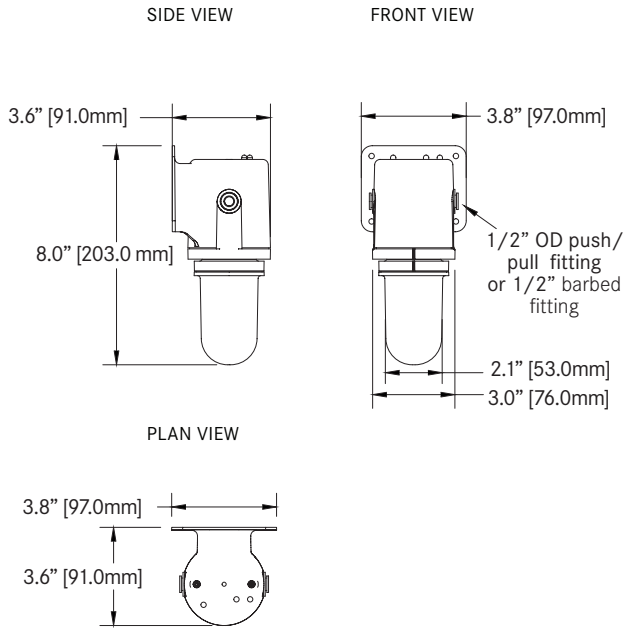
Make  
it  
Wonderful



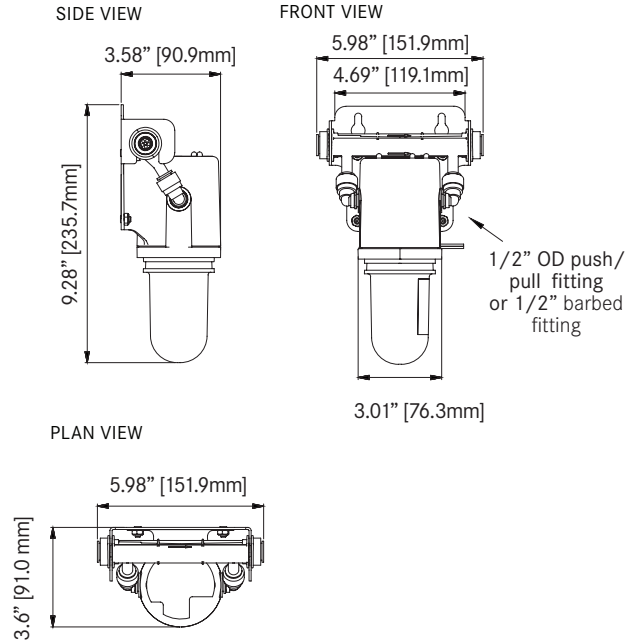
EcO<sub>3</sub>Ice™ - ANTIMICROBIAL ICE PROTECTION


# EcO<sub>3</sub>Ice™ - ANTIMICROBIAL ICE PROTECTION

## Model X8



## Model X16



	X8	X16	
<b>DIMENSIONS</b>	Overall	Overall	
	Width	3.8" 97.0 mm	5.98" 151.9 mm
	Depth	3.6" 91.0 mm	3.6" 91.0 mm
	Height	8.0" 203.0 mm	9.28" 235.7 mm
<b>ELECTRICAL</b>	Voltage	100-240	
	Hertz	50/60	
	Phase	1	
	Amps (by phase)	1.25 Max	
	Watts (by phase)	30 Max	40 Max
Unswitched Circuit  Within 5' of EcO <sub>3</sub> Ice assembly			
<b>WEIGHT</b>	Net Weight	1.8 lbs	
	Gross Weight	2.0 lbs	
<b>SHIPPING</b>	FOB	Fayetteville, TN 37334	
	Freight Class	Ships via UPS	

**SHORT-FORM SPECIFICATIONS:** Model No EcO<sub>3</sub>Ice X8 and X16, measures approximately 3.8" W x 3.6" D x 8.0" H (X8) or 5.98" L x 3.6" W x 9.28" H (X16) and requires 100-240V, 50/60 Hz supply for provided 24V, 1.25A transformer (integrated into power cord). Unit shall include synthetic diamond-based electrolytic technology to produce a small, safe and precise amount of dissolved ozone from the oxygen in the ice machine's water supply; removable electrolytic cell cartridge; LED indicator lights for cartridge replacement and system function. Shall include 1 year parts-only warranty on head unit and 30 days parts-only warranty on replacement cartridge.

	X8	X16	
<b>WATER</b>	Water Line Connection	1/2" OD push/pull fitting or 1/2" barbed fitting	1/2" OD push/pull fitting or 1/2" barbed fitting
	Water Temperature	40°F to 86°F (4°C to 30°C) WRAS approved for cold water use only in UK. (4°C - 23°C)	
	Water Quality	Clean, Potable Water Only (recommended hardness ≤300 ppm CaCO <sub>3</sub> )	
	Water Supply Pressure	min 20 psi max 125 psi min (1.37 bar) max (8.62 bar)	
	Water Flow	0.34gpm - 1.3gpm (1.3lpm - 4.9lpm)	1.3gpm - 4.2gpm (4.9lpm - 16lpm)

- MISC.**
1. Connect EcO<sub>3</sub>Ice only to a cube, not a flake/nugget, ice machine
  2. Connect only one ice machine per EcO<sub>3</sub>Ice device
  3. Connect EcO<sub>3</sub>Ice only to a commercial ice machine, not a household ice maker.
  4. Do not connect EcO<sub>3</sub>Ice to other devices, such as a beverage or water dispenser.
  5. EcO<sub>3</sub>Ice does not replace mechanical water filtration. For best results, always connect EcO<sub>3</sub>Ice in the water supply line between the filtration system and the ice machine.

© 2017 Franke Foodservice Solutions, Inc. This media is the confidential and proprietary property of Franke Foodservice Solutions, Inc. and shall not be reproduced in any form of media without the express written permission of a Franke representative. Due to continuous product development, Franke reserves the right to make changes in design and specifications without prior notice. Under license Franke Technology and Trademark Ltd., Switzerland. Printed in USA.

•19010441 •REV B 18May2017

*Make it Wonderful*

**FRANKE**