

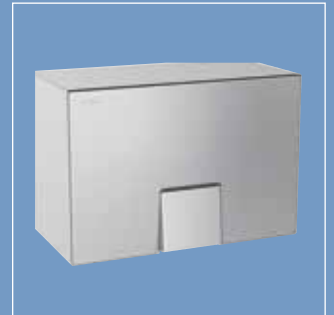


PROTRONIC-S

Touch-free Washbasin Electronics



Touch-free complementary products for a contact-free washing unit



Hand dryer **RODX310**



Paper towel dispenser **RODX630**



Soap dispenser **RODX625**

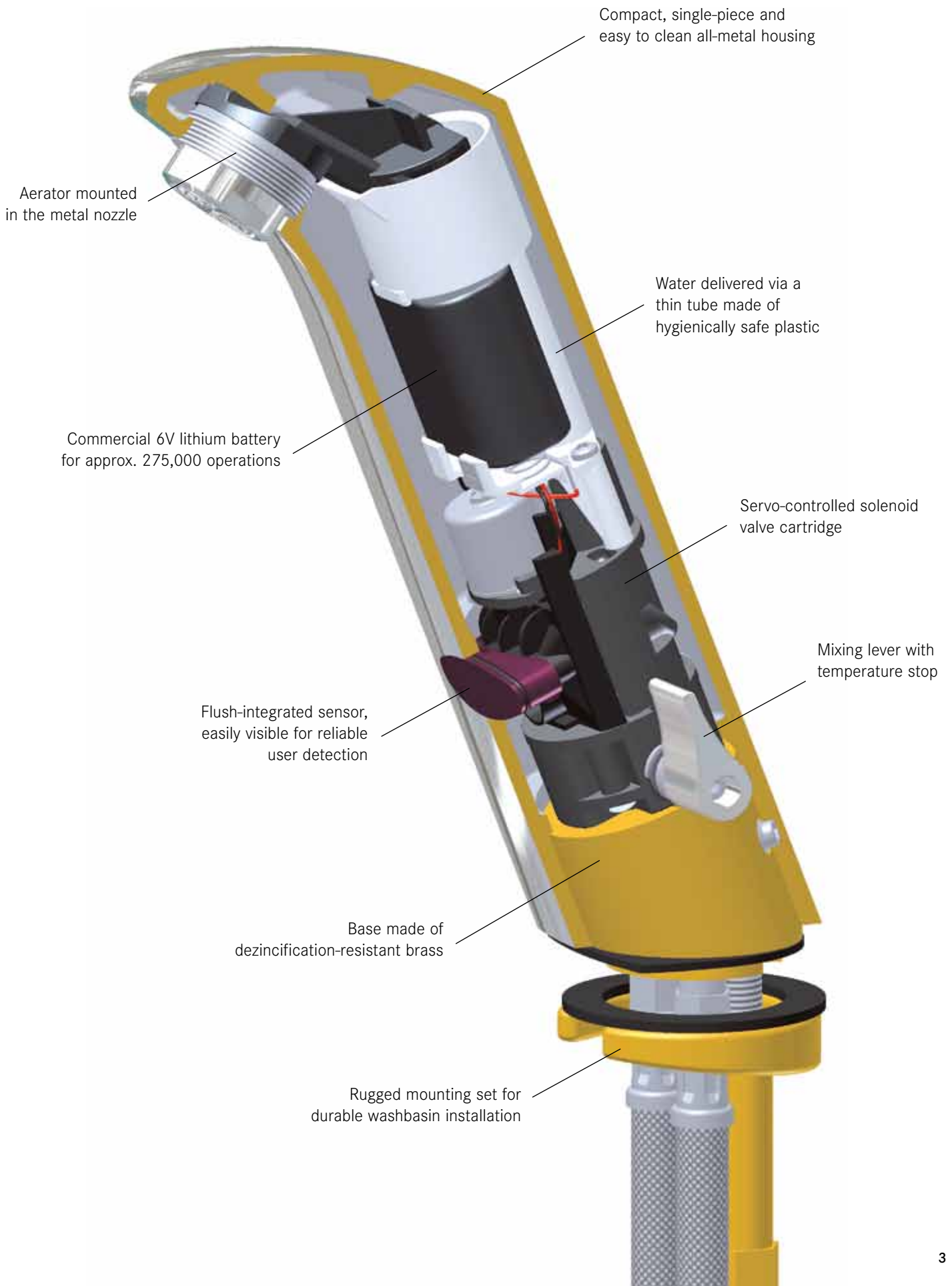
PROTRONIC-S – CLEVER SOLUTION FOR YOUR FACILITY

A first glance at the PROTRONIC-S reveals a striking and yet smooth design that leaves an excellent impression. Slender and elegant in form, the electronic tap leans forward to the user.

However, in most cases good looks alone do not suffice to meet the high demands placed on modern sanitary electronics. Rather, it is the inner values that make the PROTRONIC-S especially suitable for stylishly designed public, semi-public and commercial sanitary rooms. And all of this at an extraordinary price to performance ratio.

- **Innovative sensor technology:**
 - fast and therefore convenient user detection
 - automatic setting of sensor range to prevent uncontrolled water flow
- **Additional sensor functions**
 - easy shut-off for cleaning
 - continuous water flow for filling
 - all these functions are realized by Franke Touch-Code
- **Modern hygiene concept:**
 - water conducting parts made of hygienic plastic
 - hygienic flushing can be set to conditions on site
- **Reliable safety features:**
 - safety switch-off if voltage is too low

PROTRONIC-S – TECHNOLOGY, COMPACTLY PACKAGED

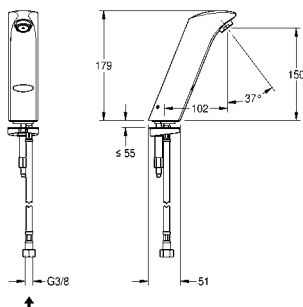


PROTRONIC-S – PRODUCT OVERVIEW

IMAGE

TYPE/MODEL

ITEM NUMBER



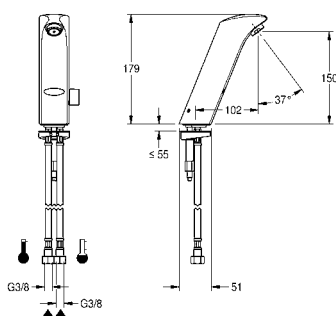
PROTRONIC-S – Washbasin tap with battery operation

PROTRONIC-S non-touch opto-electronically controlled washbasin tap, DN 15, battery powered, suitable for wet rooms, for connection to pre-mixed warm water or cold water, power provided by 6 V lithium battery (CRP2), all-metal body with sensor system, polished chrome-plated brass.

Minimum flow pressure: 1,0 bar
 Volume flow: 0,10 l/s at a flow pressure of 3 bar
 Type of protection: IP 65
 Calculation flow rate: 0,10 l/s

AQUA 131

761298209825



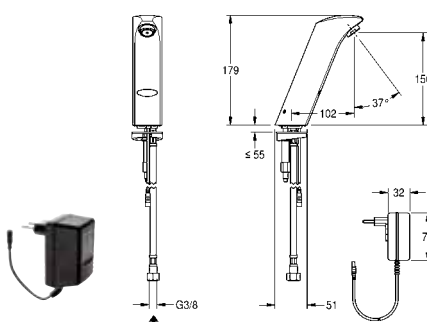
PROTRONIC-S – Washbasin mixer with battery operation

PROTRONIC-S non-touch opto-electronically controlled washbasin mixer, DN 15, battery-powered, suitable for wet rooms, for connection to hot and cold water, power provided by 6 V lithium battery (CRP2), incl. shutter cover for concealing the mixing unit, all-metal body with sensor system, polished chrome-plated brass.

Minimum flow pressure: 1,0 bar
 Volume flow: 0,10 l/s at a flow pressure of 3 bar
 Type of protection: IP 65
 Calculation flow rate: DW 0,07 l/s, DWW 0,07 l/s

AQUA 130

761298209818



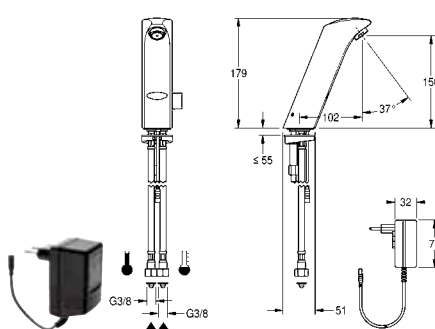
PROTRONIC-S – Washbasin tap with power supply unit

PROTRONIC-S non-touch opto-electronically controlled washbasin tap, DN 15, with separate power supply unit, for connection to pre-mixed warm water or cold water, all-metal body with sensor system, polished chrome-plated brass. 230 V AC.

Minimum flow pressure: 1,0 bar
 Volume flow: 0,10 l/s at a flow pressure of 3 bar
 Type of protection: IP 65
 Operating voltage: 6 V DC
 Calculation flow rate: 0,10 l/s

AQUA 133

7612982109782



PROTRONIC-S – Washbasin mixer with power supply unit

PROTRONIC-S non-touch opto-electronically controlled washbasin mixer, DN 15, with separate power supply unit, for connection to hot and cold water, incl. shutter cover for concealing the mixing unit, all-metal body with sensor system, polished chrome-plated brass. 230 V AC.

Minimum flow pressure: 1,0 bar
 Volume flow: 0,10 l/s at a flow pressure of 3 bar
 Type of protection: IP 65
 Operating voltage: 6 V DC
 Calculation flow rate: DW 0,07 l/s, DWW 0,07 l/s

AQUA 132

7612982109775

Accessories:

Remote control for setting the function parameters

Z-AQUA085

7612982115615

Suitable for AQUA133 and AQUA132

AQRE915 extension cable 3 m

7612982060717

AQRE916 extension cable 10 m

7612982060786

PROTRONIC-S – ECONOMICAL AND HYGIENIC

Population explosion, increases in agriculturally used land, industrial growth and a rising standard of living are just a few of the reasons why global water supplies will be subject to further depletion during the next decades. Even today the availability of clean drinking water is no longer a matter of course for many people. Using our scarce natural resources responsibly is an eco-political challenge that we must all meet.

It is particularly in public and commercial washrooms that high user frequency can lead to heavy water consumption.

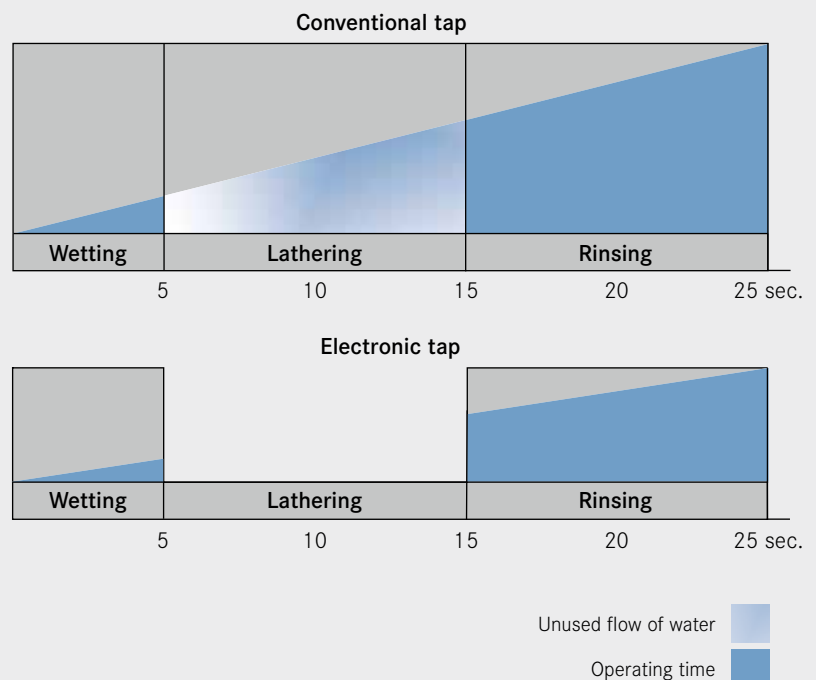
Compared with conventional taps, the innovative PROTRONIC-S electronic tap reduces the consumption of water and energy by up to 50 %. Thanks to the fully automatic mode of operation, water flows only when it is actually needed.

The non-touch technique ensures absolutely hygienic hand washing with no need to touch the tap. Users simply place their hands in the vicinity of the clearly visible sensor field.

To ensure optimum drinking-water hygiene, an optional remote control can be used to set up an automatic hygiene flushing routine that prevents long periods of water stagnation that could cause contamination.



Water consumption during washing



3.1 l per wash with conventional washbasin tap



1.5 l per wash with electronic washbasin tap

Franke Washroom Systems
ws-info.int@franke.com
www.franke-ws.com

