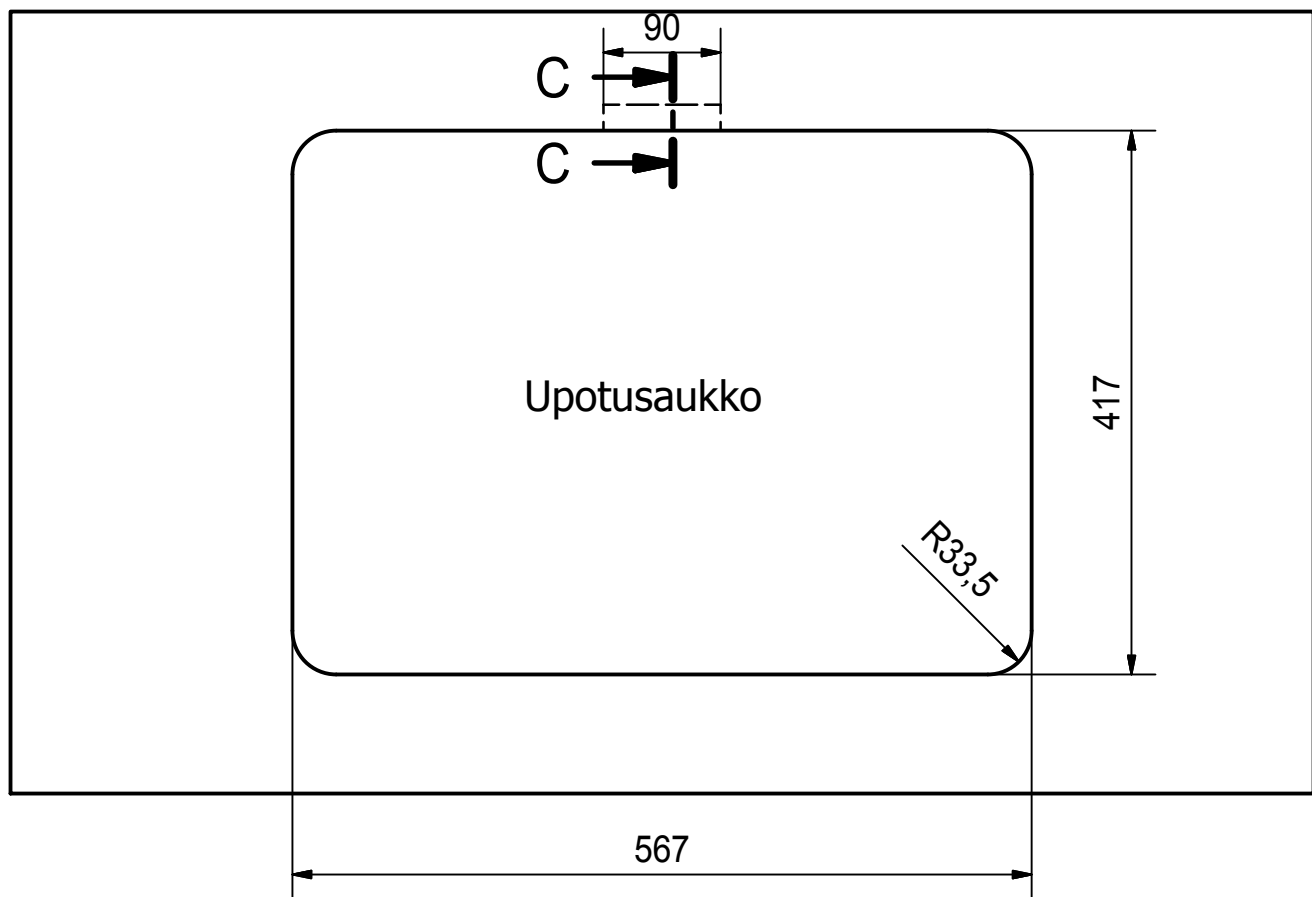


KBX 610-55

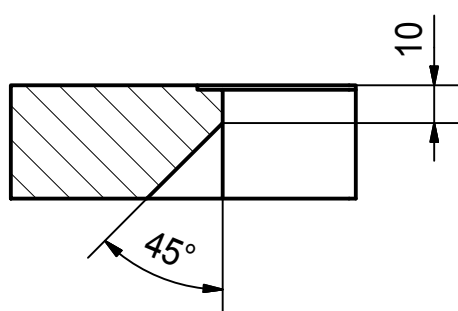
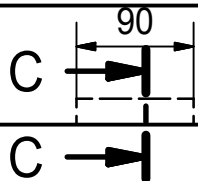


Upotusaukko

567

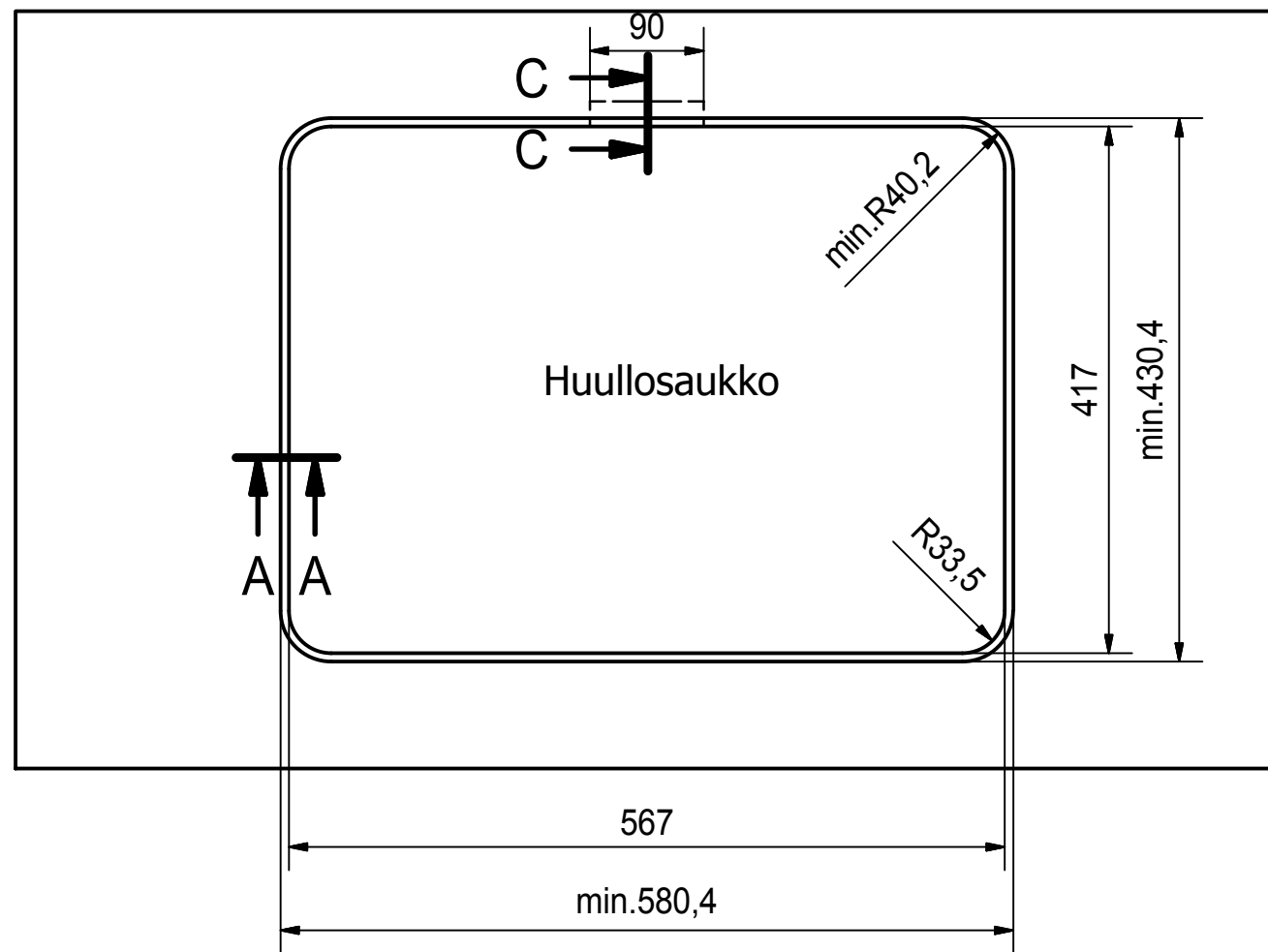
417

R33,5



C-C (1:2)

KBX 210-55



Huullosaukko

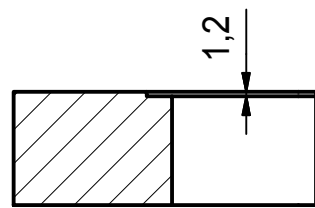
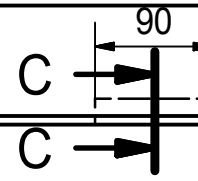
567

417

min.430,4

R33,5

min.R40,2



A-A (1:2)

min.580,4

Drawn by	HH009	25.8.2011	Replaced through		Part Gr.	Part / Tool No.	Tolerance	Thickness	Shear size
Checked by			Replacement for			127.0051.945	ISO 2768 m		
Modified by			Originate from		Material	Default	Remark		Weight
Revision Description:				Unit	Scale	Project		Collection	
				mm	NTS	Upotettavat		Kubus	
				Department: Sinks					
				 Franke Finland Oy Vartiokuja 1, 76850 Naarajärvi Telefon: +358 15 3411 1 Telefax: +358 15 3411 560 E-Mail: fnn-info@franke.com Internet: www.franke.fi		Kubus KBX 210/610-55 Upotusaukko			
				These drawings and specifications are the property of Franke Technology and Trademark Ltd. and shall not be reproduced, copied or transferred to any third party without the prior written permission of Franke Technology and Trademark Ltd., Hergiswil, Switzerland		Format	Drawing No.	Rev.	Sheet
						A3	0046-114715		1