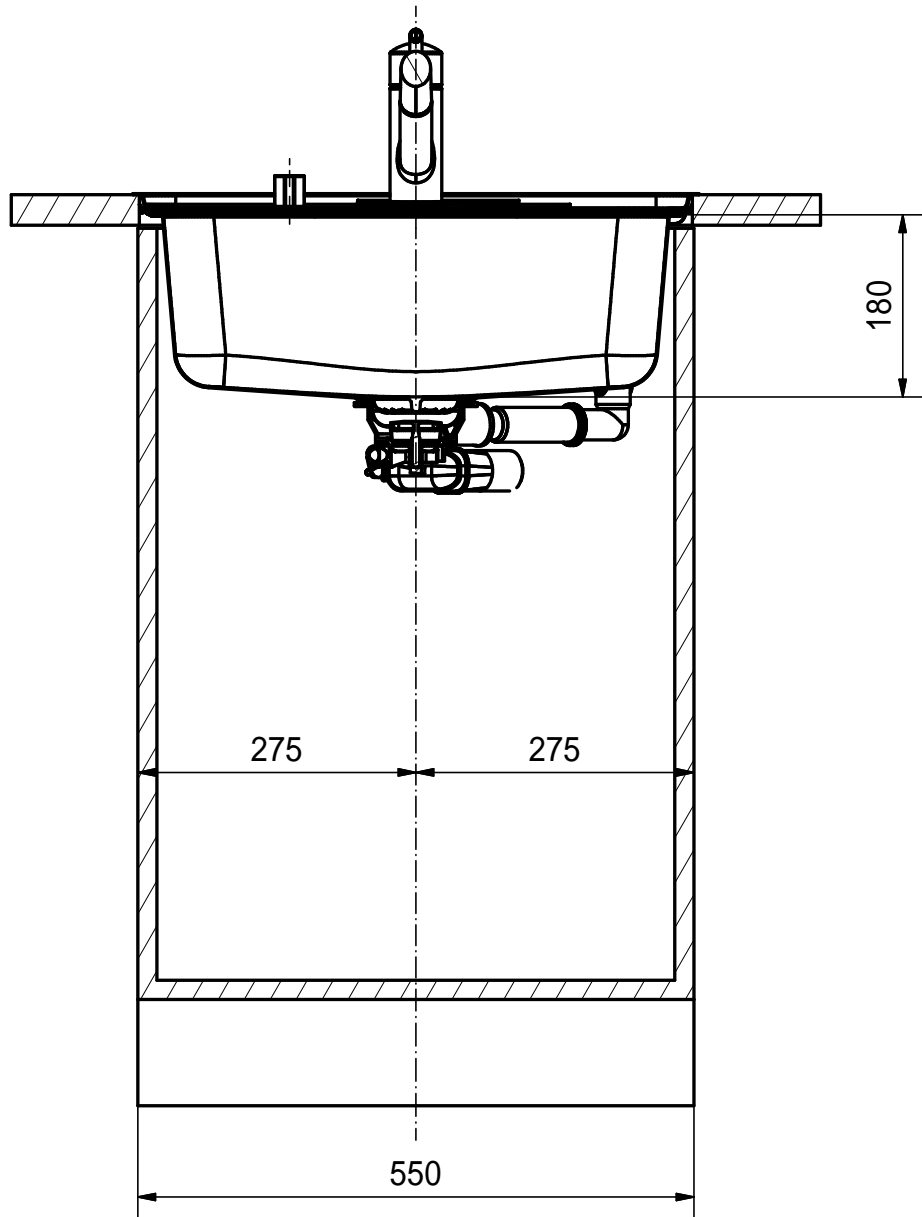


AN



Department	Entwicklung	
Project	Largo	
Collection	LAX-610	
Drawn by	BC008	09.05.2007
<small>These drawings and specifications are the property of NIRO-Plan AG and shall not be reproduced, copied or transferred to any third party without the prior written permission of NIRO-Plan AG, Aarburg, Switzerland</small>		

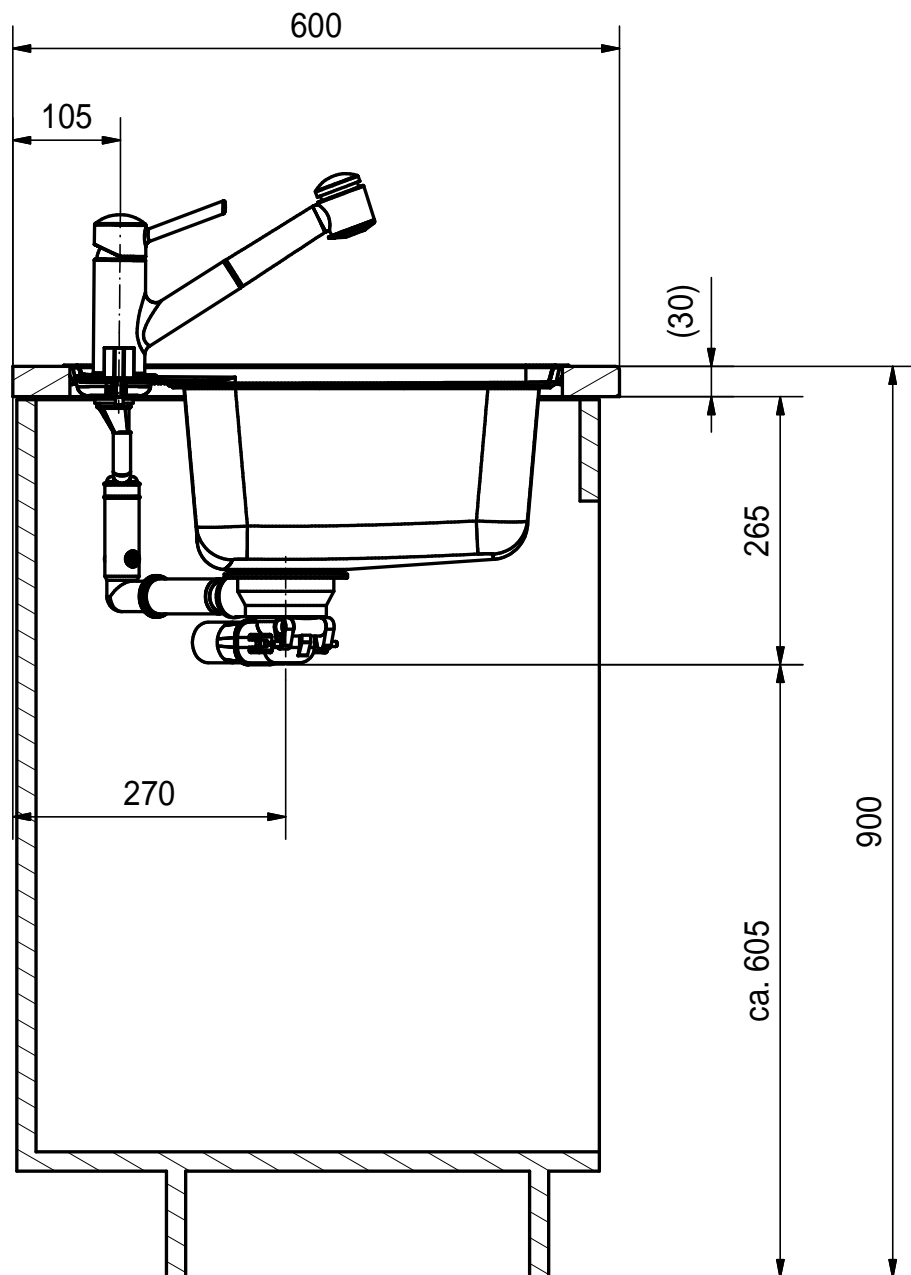
FRANKE
Franke K uchentechnik AG
CH-4663 Aarburg
Telefon: +41 62 787 31 31
Telefax: +41 62 787 30 18
E-Mail: ktch@franke.com
Internet: www.franke.com

LAX 610 ohne K cher

Verdeckter  berlauf

Format	Drawing No.	Rev.	Sheet
A4	0056-176127		1

SS



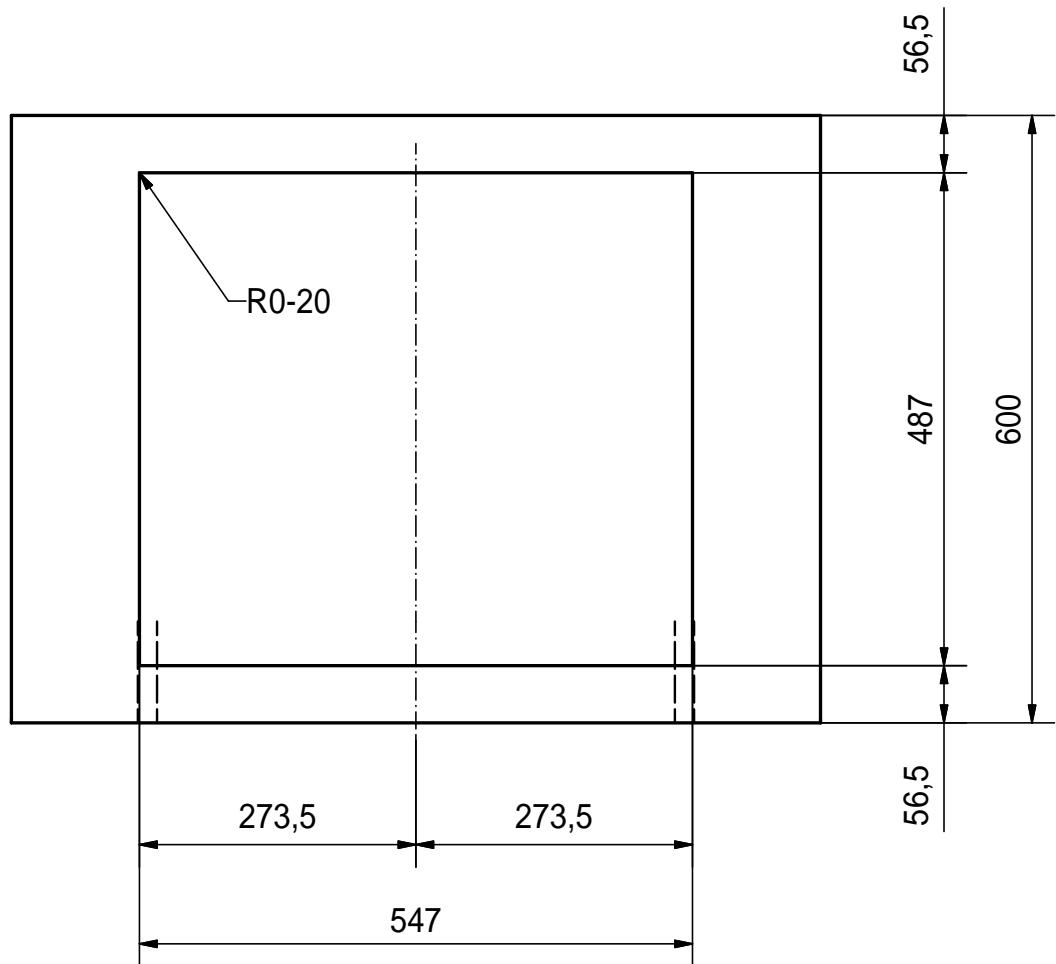
Department	Entwicklung	
Project	Largo	
Collection	LAX-610	
Drawn by	BC008	09.05.2007
<small>These drawings and specifications are the property of NIRO-Plan AG and shall not be reproduced, copied or transferred to any third party without the prior written permission of NIRO-Plan AG, Aarburg, Switzerland</small>		

FRANKE
 Franke Küchentechnik AG
 CH-4663 Aarburg
 Telefon: +41 62 787 31 31
 Telefax: +41 62 787 30 18
 E-Mail: ktech@franke.com
 Internet: www.franke.com

LAX 610 ohne Köcher Verdeckter Überlauf

Format	Drawing No.	Rev.	Sheet
A4	0056-176127		2

AU



Department	Entwicklung	
Project	Largo	
Collection	LAX-610	
Drawn by	BC008	09.05.2007
<small>These drawings and specifications are the property of NIRO-Plan AG and shall not be reproduced, copied or transferred to any third party without the prior written permission of NIRO-Plan AG, Aarburg, Switzerland</small>		

FRANKE
Franke Küchentechnik AG
CH-4663 Aarburg
Telefon: +41 62 787 31 31
Telefax: +41 62 787 30 18
E-Mail: ktch@franke.com
Internet: www.franke.com


LAX 610 ohne Köcher

Verdeckter Überlauf

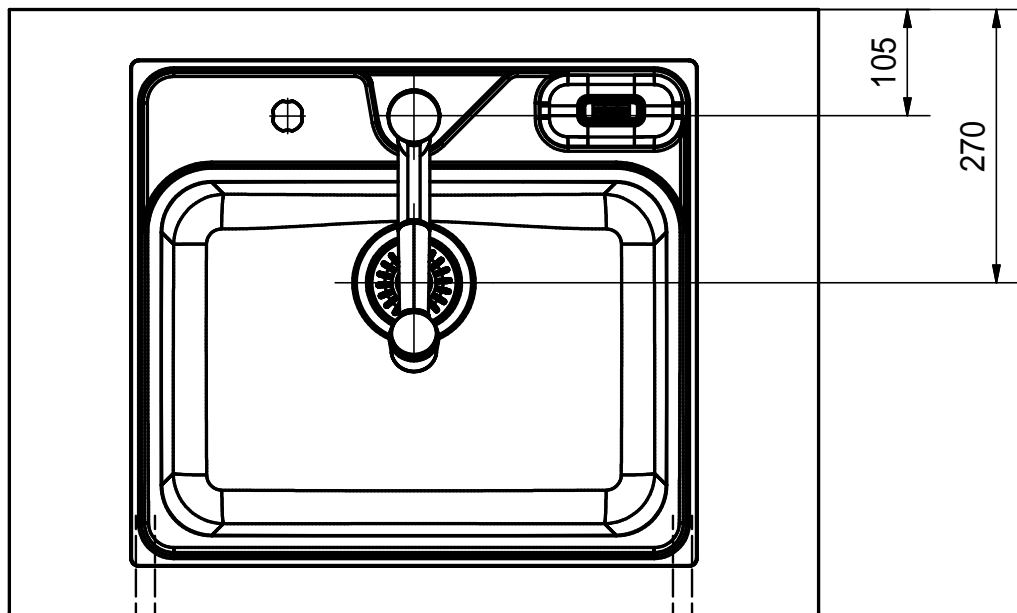
Format	Drawing No.	Rev.	Sheet
A4	0056-176127		3

CUT-OUT



Department	Entwicklung		 Franke Küchentechnik AG CH-4663 Aarburg Telefon: +41 62 787 31 31 Telefax: +41 62 787 30 18 E-Mail: ktch@franke.com Internet: www.franke.com	LAX 610 ohne Köcher Verdeckter Überlauf		Rev.	Sheet
Project	Largo						
Collection	LAX-610			Format	Drawing No.		
Drawn by	BC008	09.05.2007	A4	0056-176127		4	
<small>These drawings and specifications are the property of NIRO-Plan AG and shall not be reproduced, copied or transferred to any third party without the prior written permission of NIRO-Plan AG, Aarburg, Switzerland</small>							

PL



Department	Entwicklung	
Project	Largo	
Collection	LAX-610	
Drawn by	BC008	09.05.2007
<small>These drawings and specifications are the property of NIRO-Plan AG and shall not be reproduced, copied or transferred to any third party without the prior written permission of NIRO-Plan AG, Aarburg, Switzerland</small>		

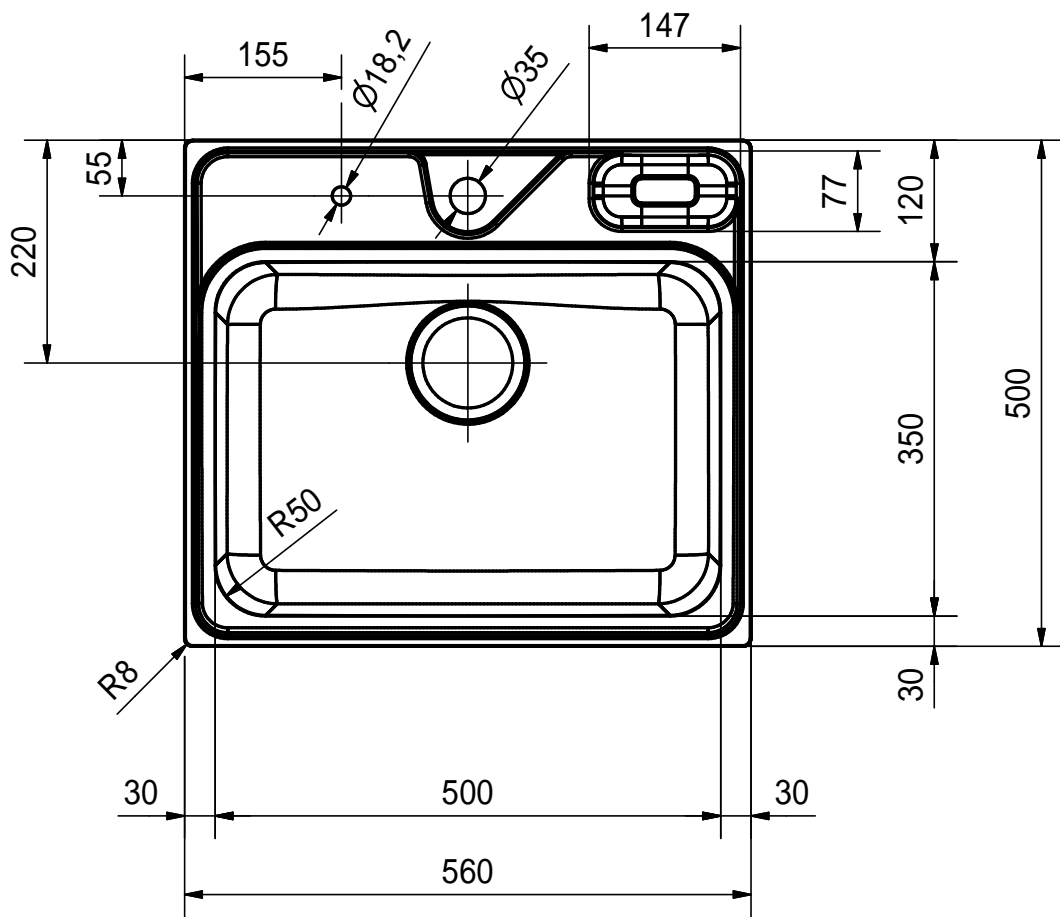
FRANKE
Franke K uchentechnik AG
CH-4663 Aarburg
Telefon: +41 62 787 31 31
Telefax: +41 62 787 30 18
E-Mail: ktch@franke.com
Internet: www.franke.com

LAX 610 ohne K cher

Verdeckter  berlauf

Format	Drawing No.	Rev.	Sheet
A4	0056-176127		5

DS

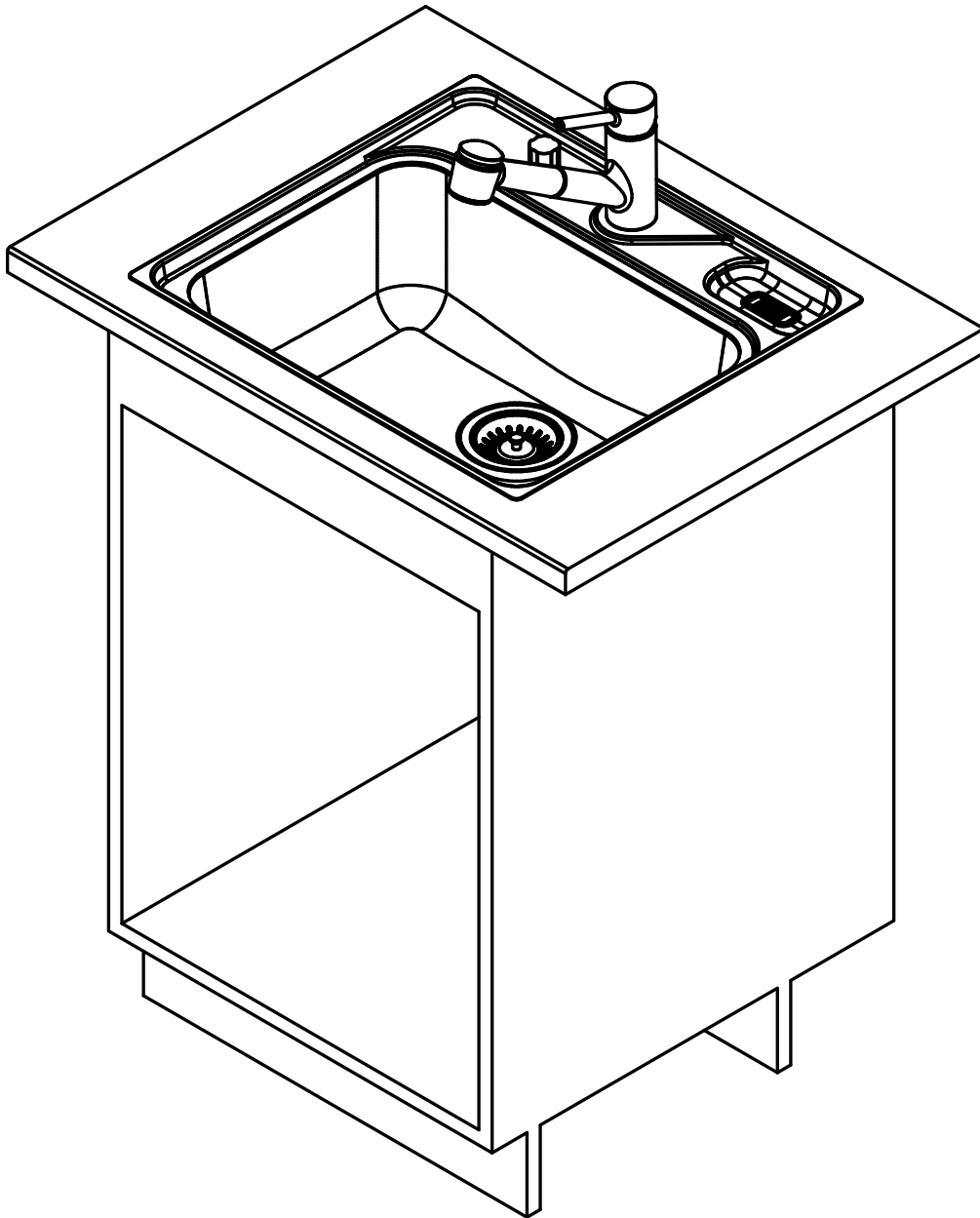


Department	Entwicklung	
Project	Largo	
Collection	LAX-610	
Drawn by	BC008	09.05.2007
<small>These drawings and specifications are the property of NIRO-Plan AG and shall not be reproduced, copied or transferred to any third party without the prior written permission of NIRO-Plan AG, Aarburg, Switzerland</small>		

FRANKE
 Franke Küchentechnik AG
 CH-4663 Aarburg
 Telefon: +41 62 787 31 31
 Telefax: +41 62 787 30 18
 E-Mail: ktch@franke.com
 Internet: www.franke.com

LAX 610 ohne Köcher Verdeckter Überlauf		Rev.	Sheet
Format	Drawing No.		
A4	0056-176127		6

ISO



Department	Entwicklung	
Project	Largo	
Collection	LAX-610	
Drawn by	BC008	09.05.2007
<small>These drawings and specifications are the property of NIRO-Plan AG and shall not be reproduced, copied or transferred to any third party without the prior written permission of NIRO-Plan AG, Aarburg, Switzerland</small>		

FRANKE
Franke Küchentechnik AG
CH-4663 Aarburg
Telefon: +41 62 787 31 31
Telefax: +41 62 787 30 18
E-Mail: ktch@franke.com
Internet: www.franke.com

LAX 610 ohne Köcher

Verdeckter Überlauf

Format	Drawing No.	Rev.	Sheet
A4	0056-176127		7