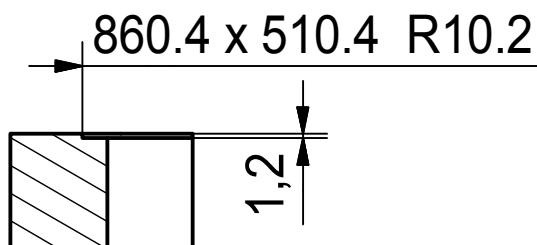
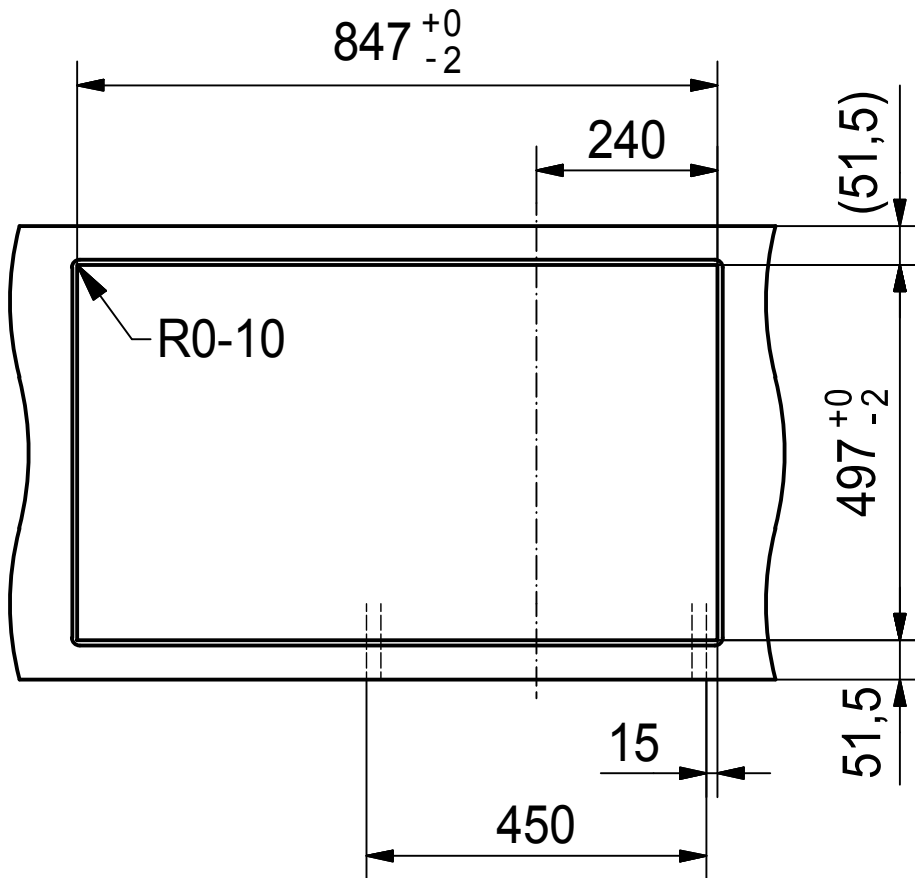


CO



Drawing No.	0056-195840	Revision	
Drawn Date	04.07.2011		
<small>These drawings and specifications are the property of Franke Technology and Trademark Ltd. and shall not be reproduced, copied or transferred to any third party without the prior written permission of Franke Technology and Trademark Ltd., Hergiswil, Switzerland</small>			

Franke Küchentechnik AG
 CH-4663 Aarburg
 Phone: +41 62 787 31 31
 Internet: www.franke.com

AGX 211 86 Rev I
 installing document

Sheet	Sheets
3	6